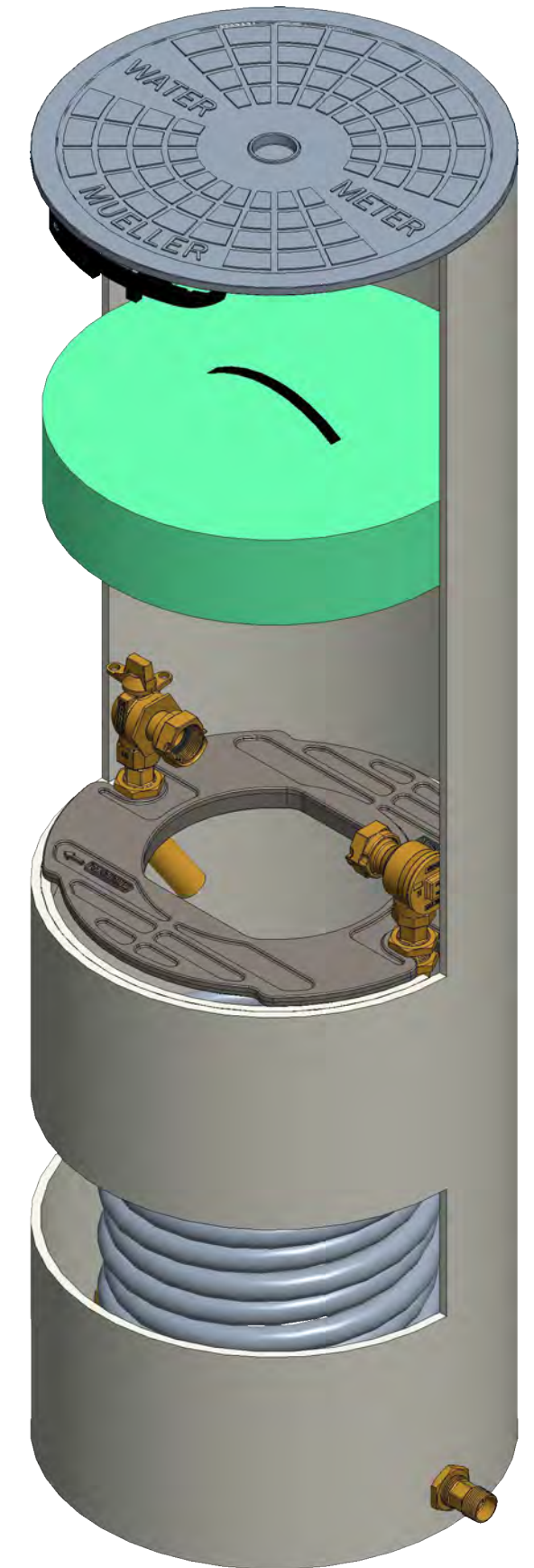
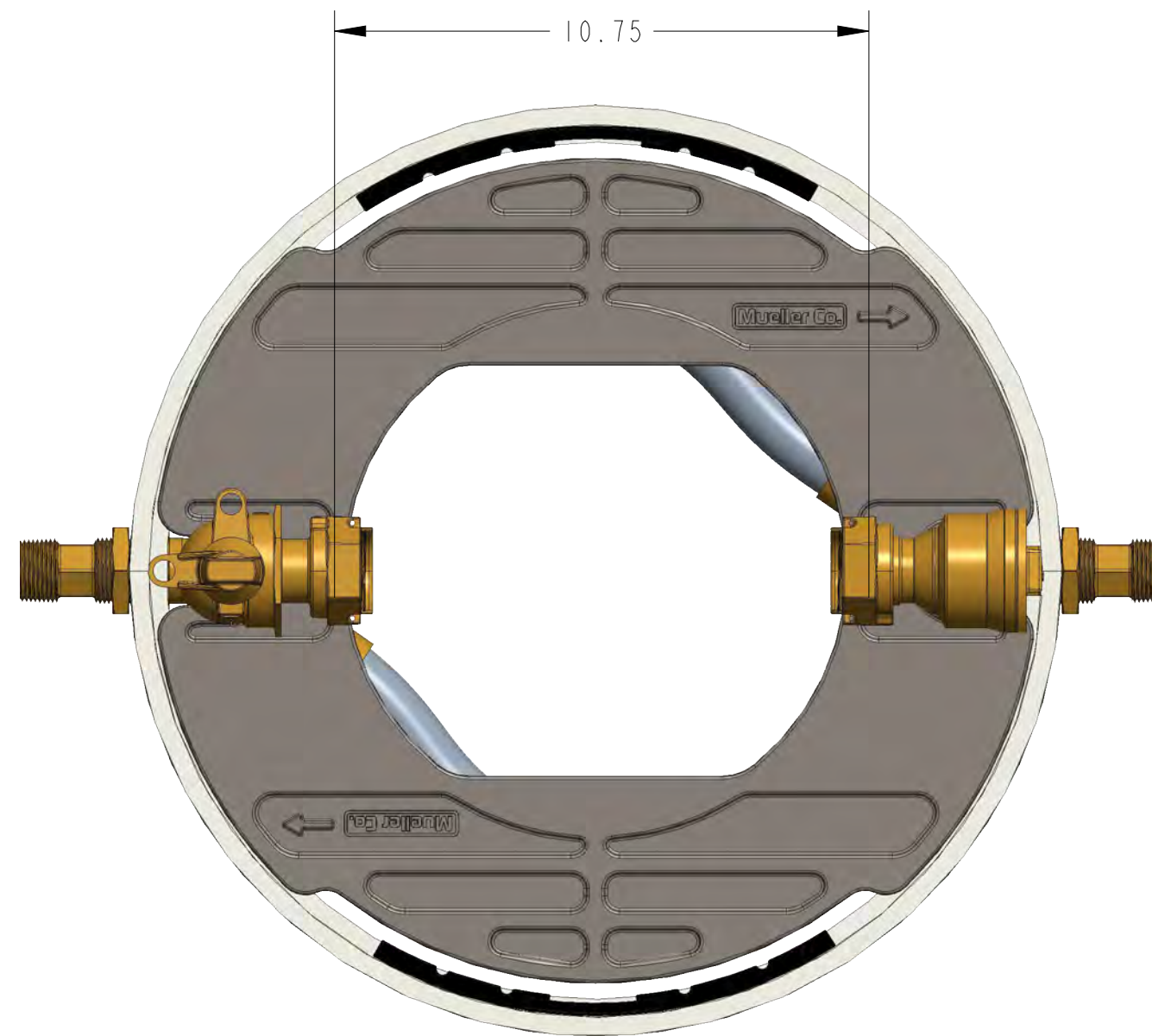
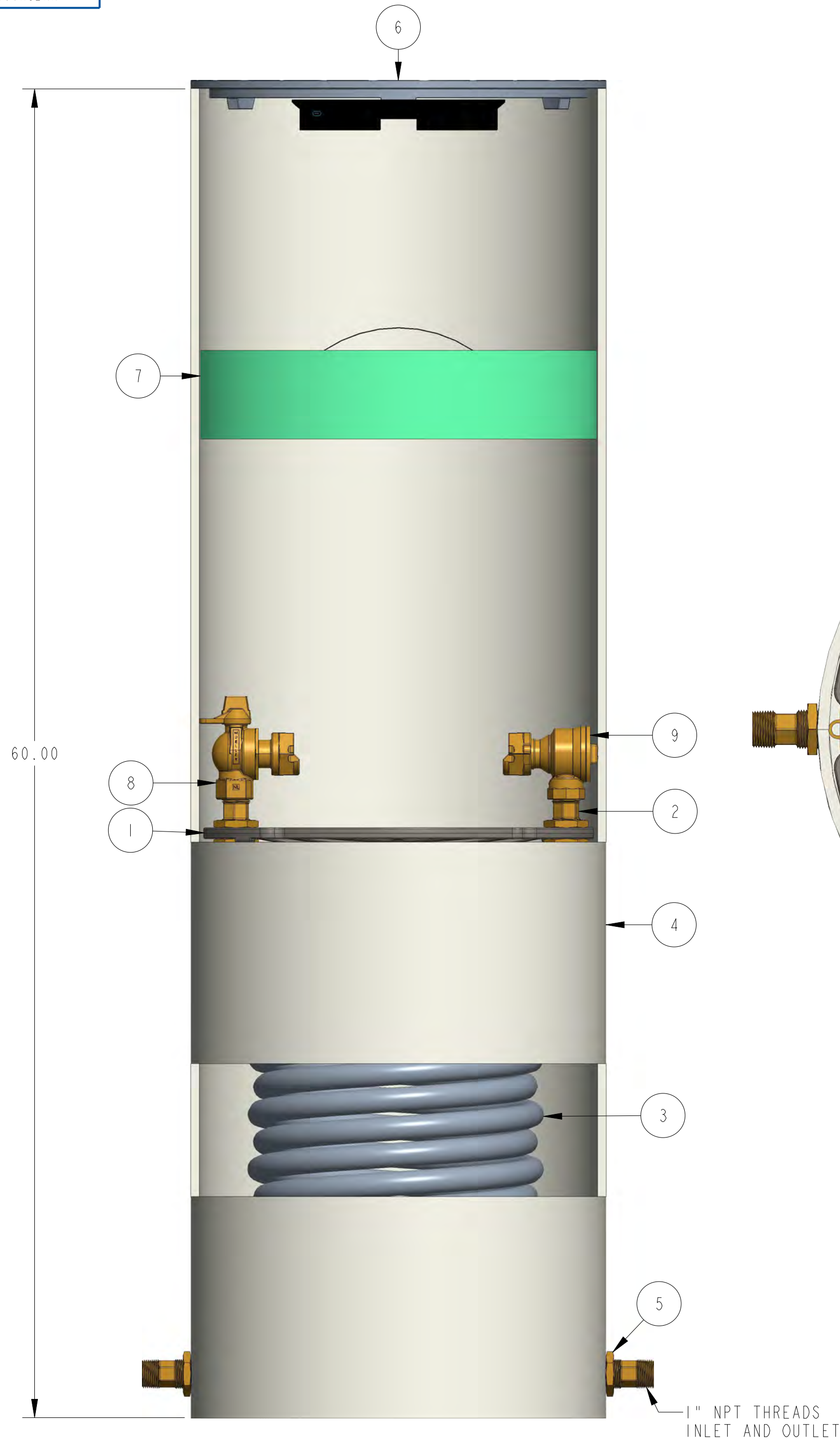


ITEM NO	PART NUMBER	QTY	DESCRIPTION
1	311968	1	18-10 ABS PLATFORM
2	700014	4	1" HOSE CONNECTOR
3	700046-1860	2	COIL PART WITH LL BRASS CONNECTORS
4	780029-1860	1	18" SHELL SUB ASSEMBLY
5	790010	8	1" HEX NUT
6	790018	1	18" NON LOCKING FLAT LID (SOLD SEPERATELY)
7	790153	1	18" INSULATION PAD (SOLD SEPARATELY)
8	330B242653N	1	1" FULL PORT 360 BALL VALVE
9	330HI4244AN	1	1" ANGLE DUAL CHECK ASSE APPROVED LLB



DR. BY	AOD	11/21/22	UNLESS OTHERWISE NOTED	THIRD ANGLE PROJECTION	C.B. NO.
CHKR			BREAK CAST CORNER(S)---		
ENGR			BREAK MACH CORNER(S)---	PURCH.	FINISH
MGR			TOLERANCES	REF. NO.	SCALE
MFG			UNLESS OTHERWISE NOTED	STR. NO.	PATT. NO.
TOOL			LINEAR		
FDRY			±		
MAT'L:					
<b>MUELLER</b>		DESCR. 1" COIL SINGLE METER PIT 18" DIA X 60" DEPTH LOW LEAD BRASS		NUMBER 330CS1860XSBN	