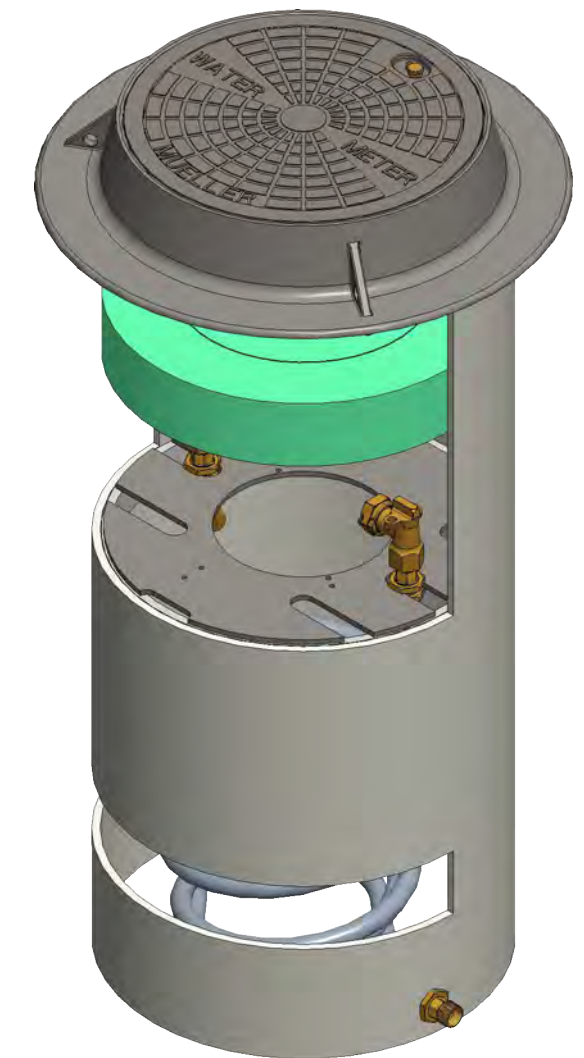
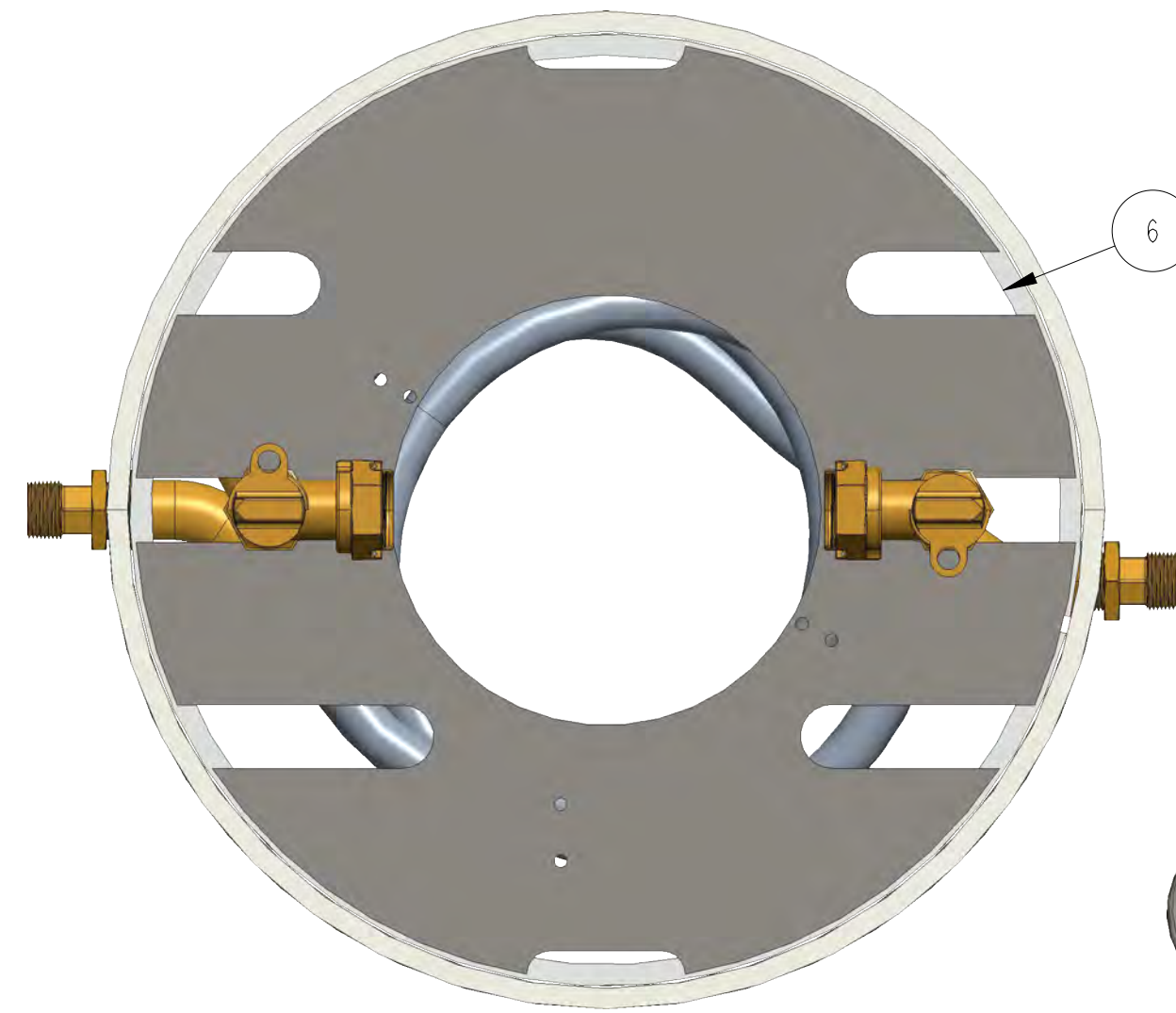


ITEM NO	PART NUMBER	QTY	DESCRIPTION
1	282925	1	18" DIA CAST IRON SIDE LOCKING LID (SOLD SEPARATELY)
2	546129	1	STEEL PLATFORM
3	700014	4	1" HOSE CONNECTOR
4	700046-1848	2	1" COIL PART
5	700098-1	1	CAST IRON FRAME (PURCHASED SEPARATELY)
6	700261	1	REINFORCING RING
7	780058-2148	1	SHELL SUB ASSEMBLY
8	790010	8	1" HEX NUT
9	790322	1	21" X 4" EZ INSULATING PAD (ORDER SEPARATELY)
10	330HI4265	2	1" ANGLE METER STOP VALVE



1" MNPT THREADS INLET AND OUTLET

DR. BY	AOD	3/31/22	UNLESS OTHERWISE NOTED		THIRD ANGLE PROJECTION		C.B. NO.	
CHKR			BREAK CAST CORNER(S)---					
ENGR			BREAK MACH CORNER(S)---		PURCH.	FINISH	PATT. NO.	
MGR			TOLERANCES UNLESS OTHERWISE NOTED		REF. NO.	SCALE		
MFG			LINEAR	ANGULAR	STR. NO.			
TOOL			±	±				
FDRY			MAT'L:					
			DESCR. 1" COIL SINGLE METER PIT 21" DIA X 48" DEPTH LOW LEAD BRASS				NUMBER 330CS2148LLBSN	