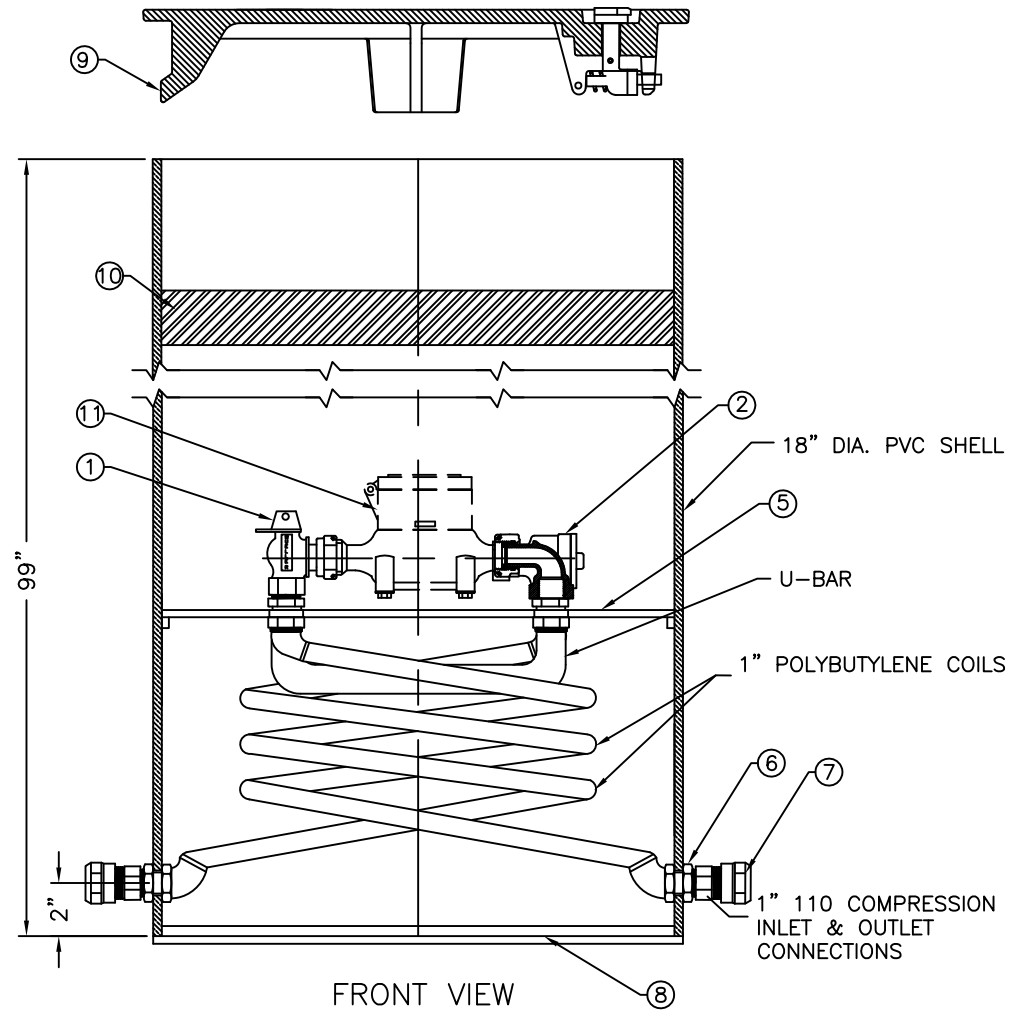
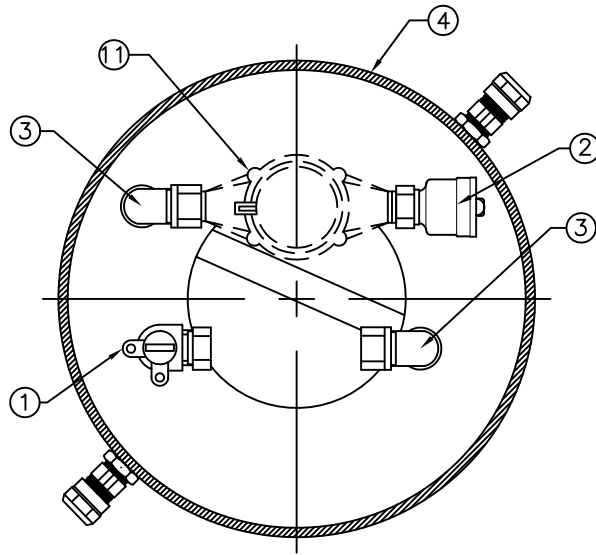


ITEM	DESCRIPTION	PART NO.	REQ'D
1	1" LOCKWING FULL PORT BALL VALVE	B24265N	1
2	1" DUAL CHECK VALVE	H14244N	1
3	1" METER COUPLING	H14210N	2
4	18" SHELL SUB-ASSEMBLY		1
5	STABILIZING PLATFORM		1
6	1" HEX NUT		8
7	1" 110 COMPRESSION X 1" FIP FITTING		1
8	PLASTIC BOTTOM WITH (4) DRAIN HOLES		1
9	CAST IRON SIDE LOCKING LID (OPTIONAL)	780069	----
10	18" X 4" INSULATING PAD (OPTIONAL)	790153	----
11	METER (NOT INCLUDED)		----

*NOTE: METER & PRV NOT INCLUDED



330CT1899FBAS000541N

OPTION CODE: 000541

- PLASTIC BOTTOM WITH (4) 1/2" DRAIN HOLES
- 110 COMPRESSION FITTING ON INLET AND OUTLET

DRFTR	BBF	8/17/16	THIRD ANGLE PROJECTION	REF. NO.	SCALE
CHK'R					NONE
E.O. NUMBER			DESCR.	STOCK No.	
Mueller Co.			1" COIL TANDEM METER PIT 16" DIA X 99" DEPTH LOW LEAD BRASS	REV.	NUMBER
				330CT1899FBAS000541N	SHEET 1 OF 1

REV.	DESCRIPTION	REF.	DRFTR	CHK'R	APP	DATE