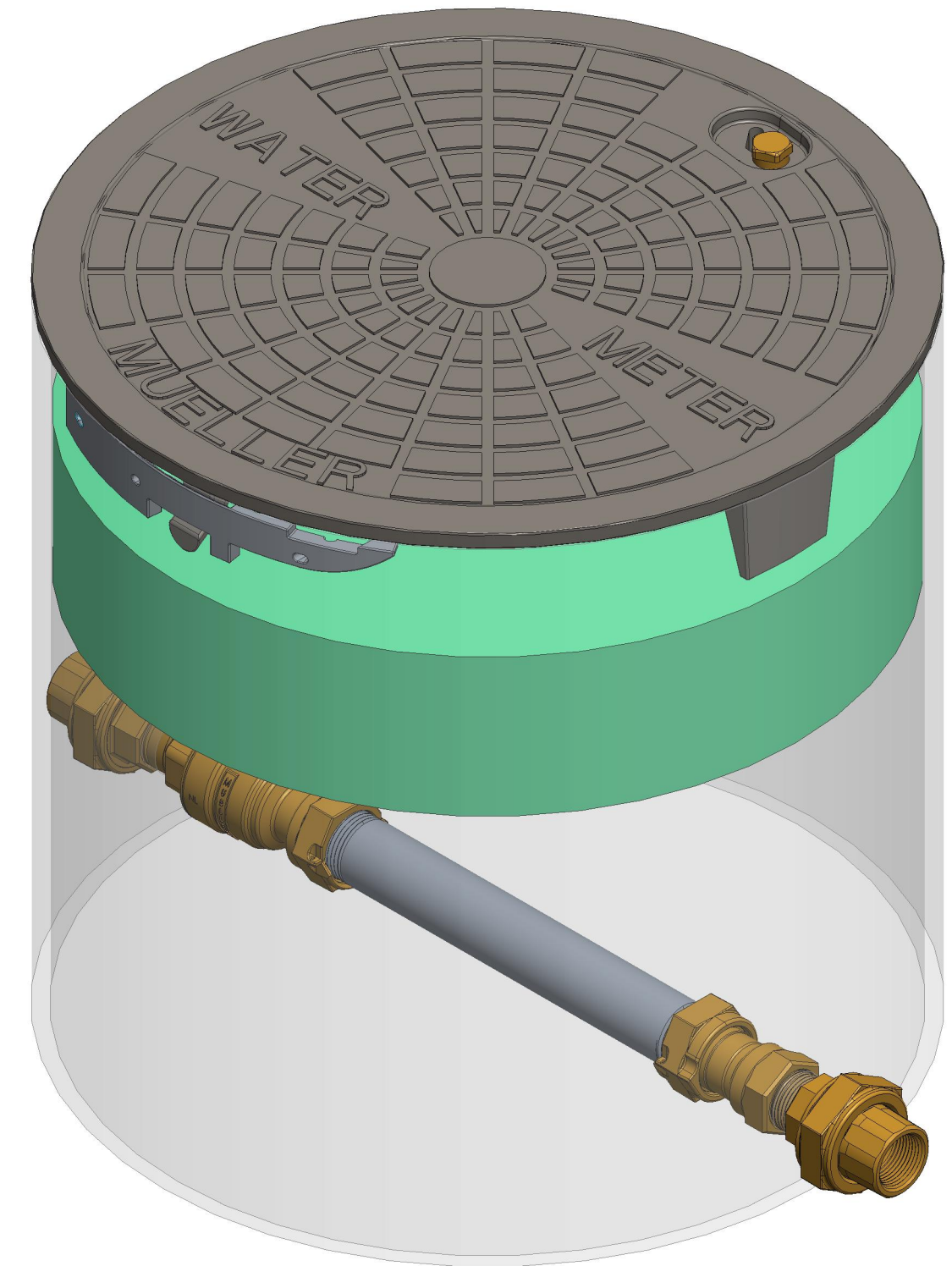
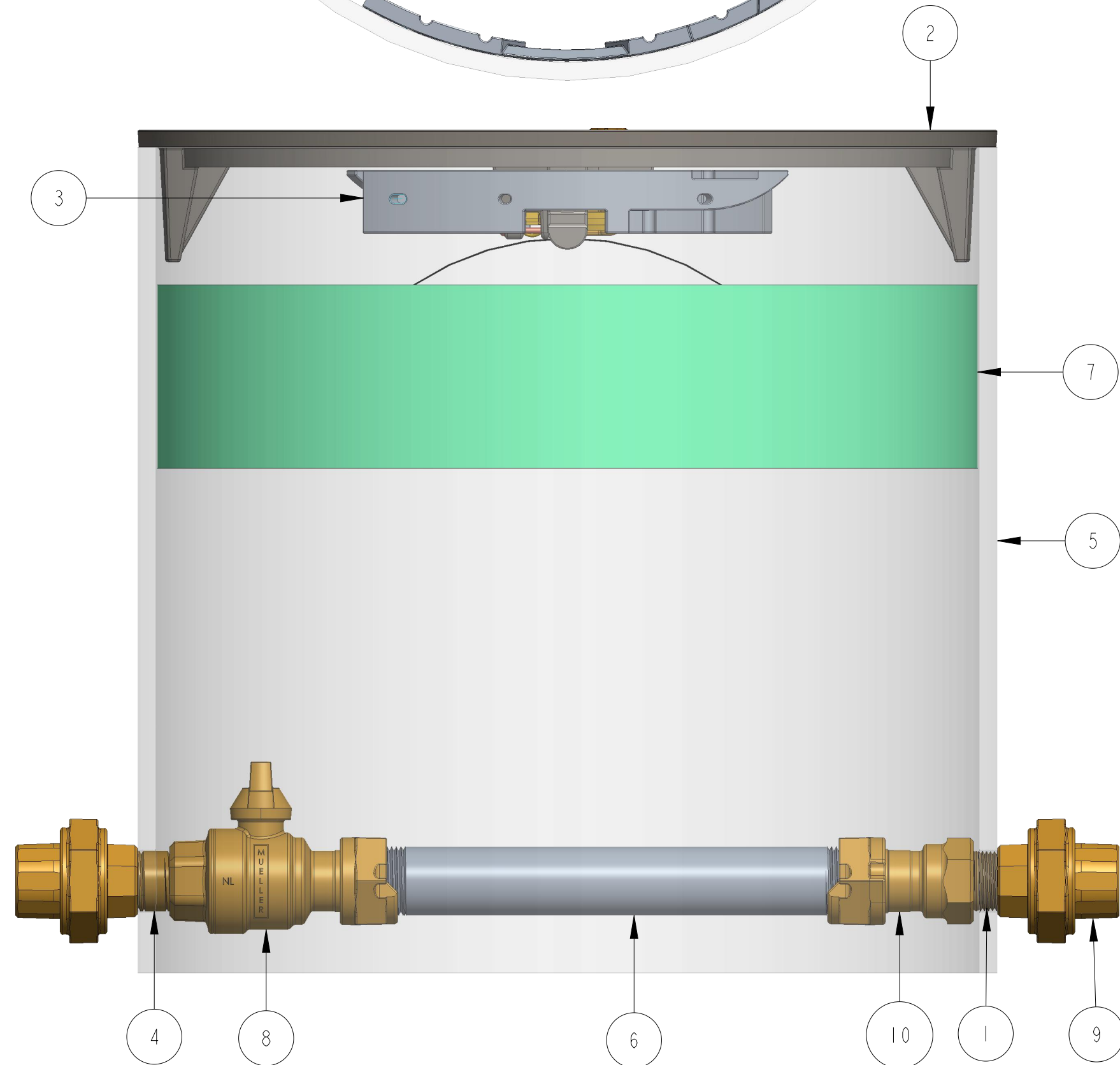
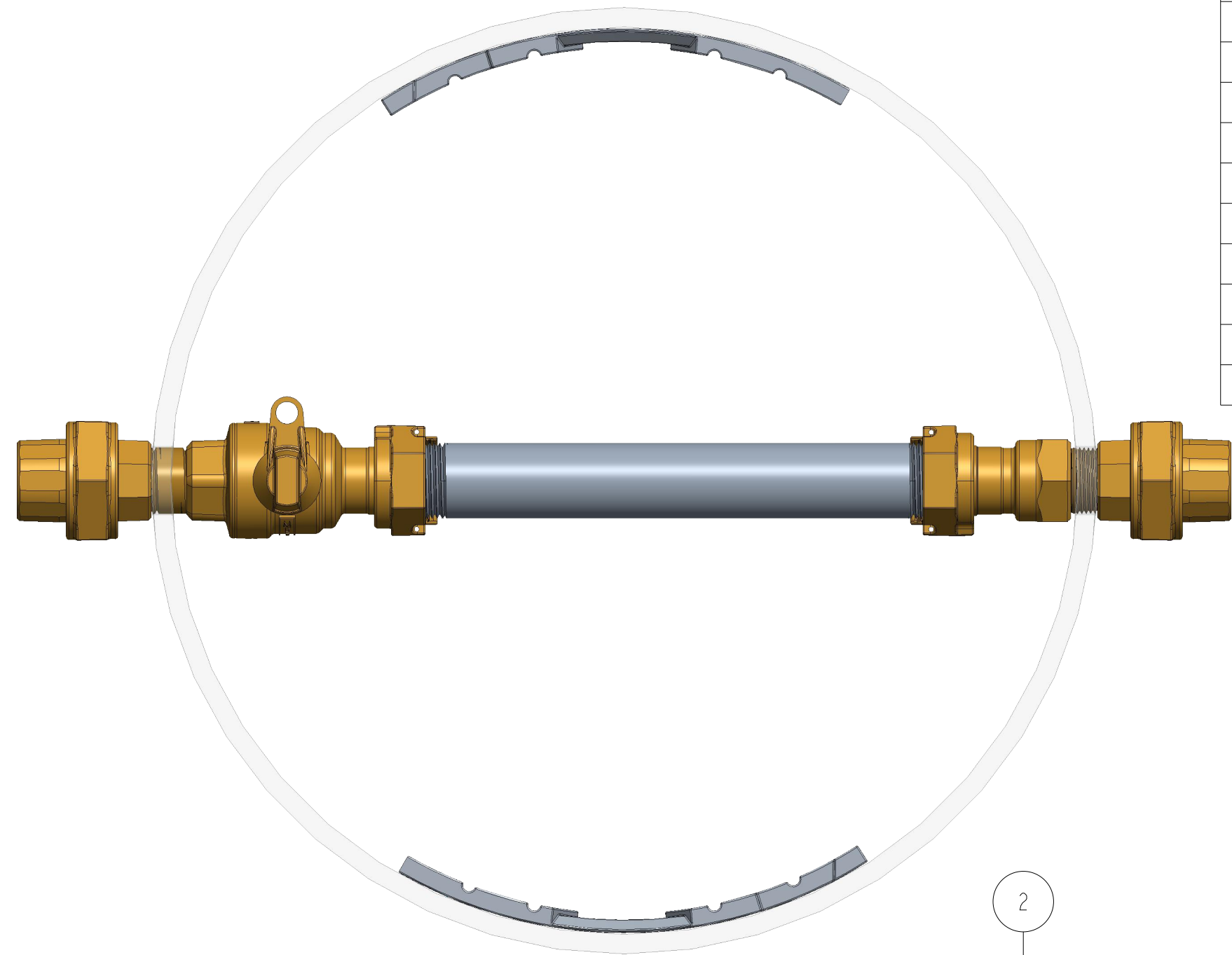


ITEM NO	PART NUMBER	QTY	DESCRIPTION
1	047139	1	1" X 1-1/2" CLOSED NIPPLE
2	282925	1	18" DIA CAST IRON SIDE LOCKING LID (SOLD SEPARATELY)
3	548357	2	15" & 18" UNIVERSAL BRACKET
4	548412	1	1"X2-1/8" PIPE PART
5	700024-1818	1	SHELL
6	700250	1	1" METER JUMPER
7	790153	1	18" INSULATION PAD (SOLD SEPARATELY)
8	330B2435IN	1	1" INLINE BALL VALVE W/ SADDLE NUT
9	330H1421IN	2	1" UNION
10	330H14215N	1	1" INLINE METER COUPLING



DR. BY	AOD	1/04/21	UNLESS OTHERWISE NOTED		THIRD ANGLE PROJECTION		C.B. NO.
CHKR			BREAK CAST CORNER(S)---				
ENGR			BREAK MACH CORNER(S)---		PURCH.	FINISH	PATT. NO.
MGR			TOLERANCES				
MFG			UNLESS OTHERWISE NOTED				
TOOL			LINEAR	ANGULAR	REF. NO.	SCALE	
FDRY			±	±	STR. NO.		
MAT'L:							
			DESCR. 1" INLINE SINGLE METER PIT 18" DIA X 18" DEPTH LOW LEAD BRASS			NUMBER 3301S1818FABS	