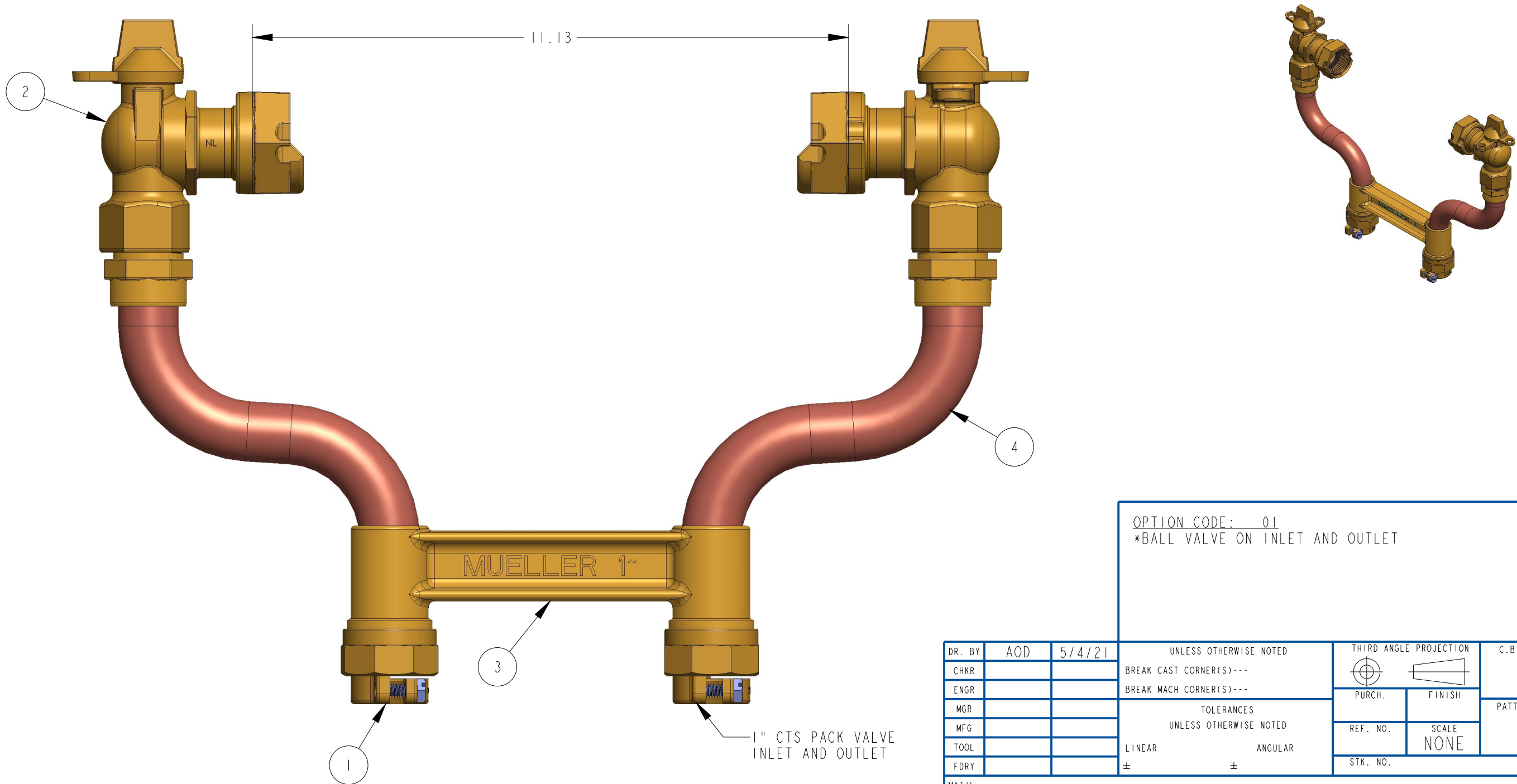


ITEM NO	PART NUMBER	QTY	DESCRIPTION
1	681922	2	1" CTS PACK JOINT
2	330B24265R	2	1" REDUCED PORT BALL VALVE
3	528017E	1	1" H-1474 METER YOKE BODY *LLB*
4	680054E	2	10" RISER SUB ASSEMBLY



OPTION CODE: 01  
 \*BALL VALVE ON INLET AND OUTLET

DR. BY	AOD	5/4/21	UNLESS OTHERWISE NOTED	THIRD ANGLE PROJECTION	C.B. NO.
CHKR			BREAK CAST CORNER(S)---		
ENGR			BREAK MACH CORNER(S)---	PURCH.	PATT. NO.
MGR			TOLERANCES	FINISH	
MFG			UNLESS OTHERWISE NOTED	REF. NO.	SCALE
TOOL			LINEAR		NONE
FDRY			±	ANGULAR	STK. NO.
MAT'L:					

	DESCR. 1" COPPER METER SETTER VERTICAL INLET AND OUTLET LOW LEAD BRASS	NUMBER 330P2474-R--01N
--	--	---------------------------

330P2474-R--01N