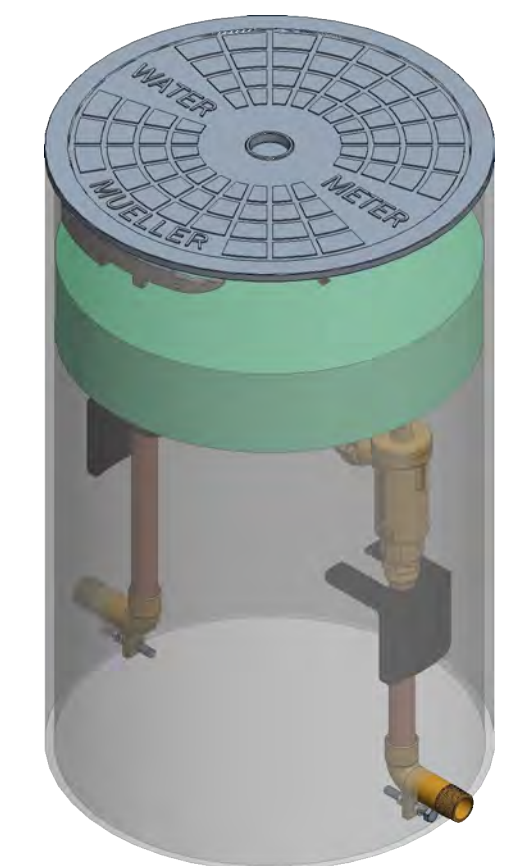
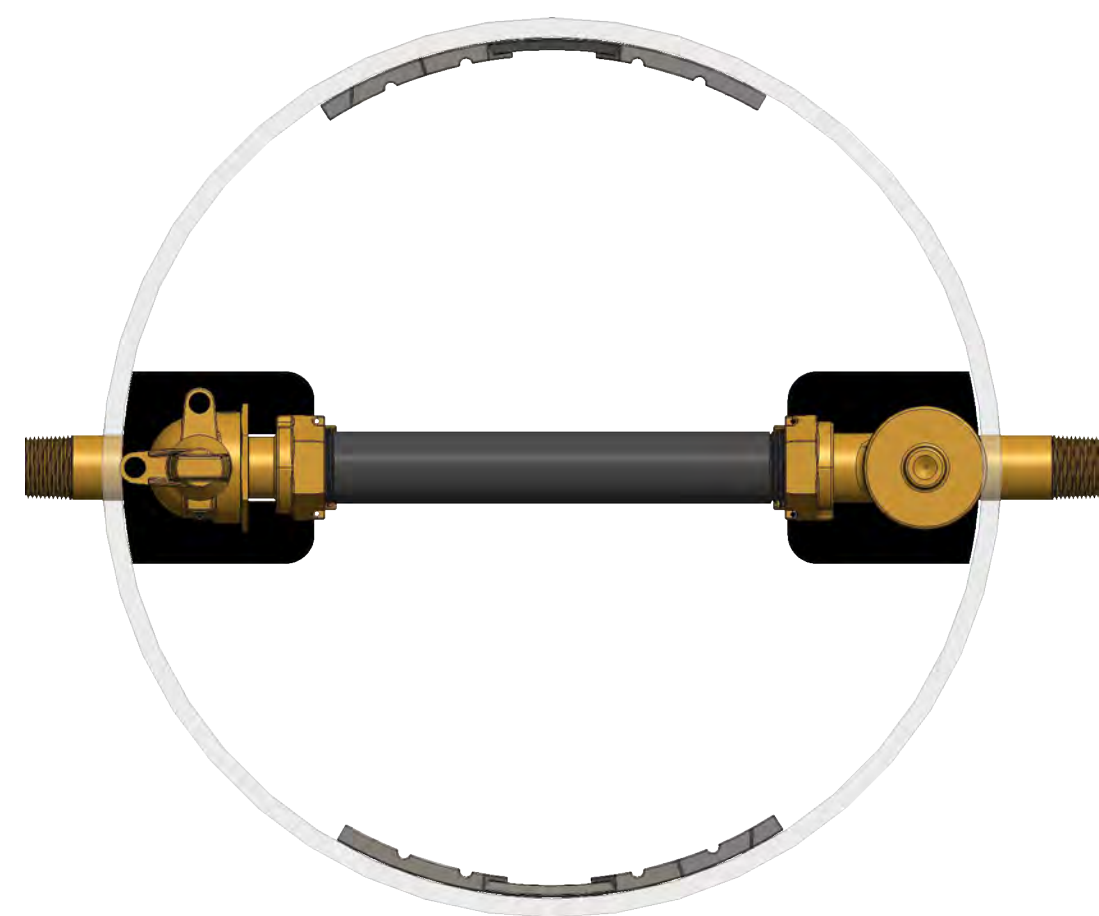


ITEM NO	PART NUMBER	QTY	DESCRIPTION
1	190631	2	STAINLESS HEX BOLT
2	194171	6	3/8" HEX NUT
3	532269	1	1" COPPER TUBE
4	547400	2	1" SUPPORT BRACKET
5	551208	1	1" COPPER TUBING
6	700250	1	1" METER JUMPER
7	700523	2	BRASS ELBOW (SOLDER X MIP)
8	780019-1830	1	SHELL SUB ASSEMBLY
9	790018	1	18" NON LOCKING FLAT LID (SOLD SEPERATELY)
10	790153	1	18" INSULATION PAD (SOLD SEPARATELY)
11	074955E	2	1" SPUD
12	330B242653N	1	1" FULL PORT 360 BALL VALVE
13	330HI4460AN	1	1" ASSE APPROVED VERTICAL CHECK



OPTION CODE 391:
 *USE 360 TURN VALVE ON INLET

DR. BY	AOD	1/26/22	UNLESS OTHERWISE NOTED	THIRD ANGLE PROJECTION	C.B. NO.
CHKR			BREAK CAST CORNER(S)---		
ENGR			BREAK MACH CORNER(S)---	PURCH.	FINISH
MGR			TOLERANCES	REF. NO.	SCALE
MFG			UNLESS OTHERWISE NOTED	STR. NO.	
TOOL			LINEAR	ANGULAR	
FDRY			±	±	

MUELLER NUMBER 330RCS1830FVBN000391N
 DESCR. 1" RIGID COPPER SINGLE METER PIT 18" DIA X 30" DEPTH LOW LEAD BRASS