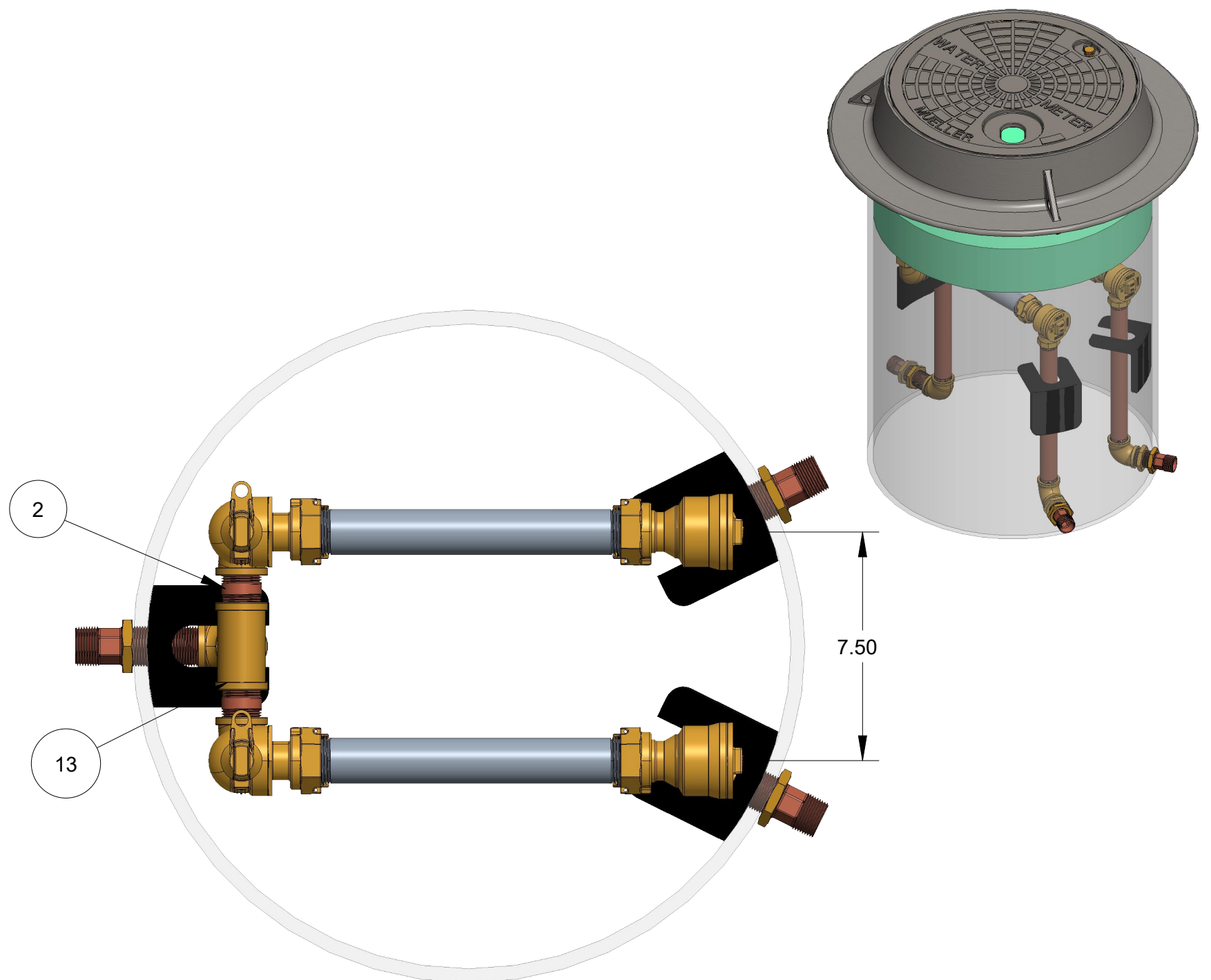


1" NPT  
INLET AND OUTLET

ITEM NO	PART NUMBER	QTY	DESCRIPTION
1	547400	3	SUPPORT BRACKET
2	548605	2	1" NIPPLE
3	551197	1	NIPPLE 1" X 11-1/8"
4	551200	1	1" NIPPLE WITH FLATS
5	551201	2	THREADED PIPE 1" X 14"
6	700051-2130	1	SHELL SUB ASSEMBLY
7	700098-1	1	CAST IRON FRAME (PURCHASED SEPARATELY)
8	700250	2	1" METER JUMPER
9	700581	2	1" NIPPLE WITH FLATS
10	780113	1	18" DIA CAST IRON LID W/ RECESSED TR (SOLD SEPARATELY)
11	790010	6	1" HEX NUT
12	790322	1	21" X 4" EZ INSULATING PAD (ORDER SEPARATELY)
13	094986E	1	1" FNPT THREADED TEE
14	094987E	3	1" FNPT ELBOW
15	330B24265	2	1" FULL PORT BALL VALVE
16	330H14244AN	2	1" ANGLE DUAL CHECK ASSE APPROVED LLB
17	790052E	2	1" STREET ELBOW



DR. BY	BBF	10/23/20	UNLESS OTHERWISE NOTED		THIRD ANGLE PROJECTION		C.B. NO.	
CHKR			BREAK CAST CORNER(S)---					
ENGR			BREAK MACH CORNER(S)---		PURCH.	FINISH	PATT. NO.	
MGR			TOLERANCES UNLESS OTHERWISE NOTED				REF. NO.	SCALE
MFG			LINEAR	ANGULAR	STK. NO.			
TOOL			±	±				
FDRY			MATERIAL:					
			<b>Mueller Co.</b>				DESCR. 1" RIGID DOUBLE METER PIT 21" DIA X 30" DEPTH LOW LEAD BRASS	
			NUMBER				330RD2130FSBNN	