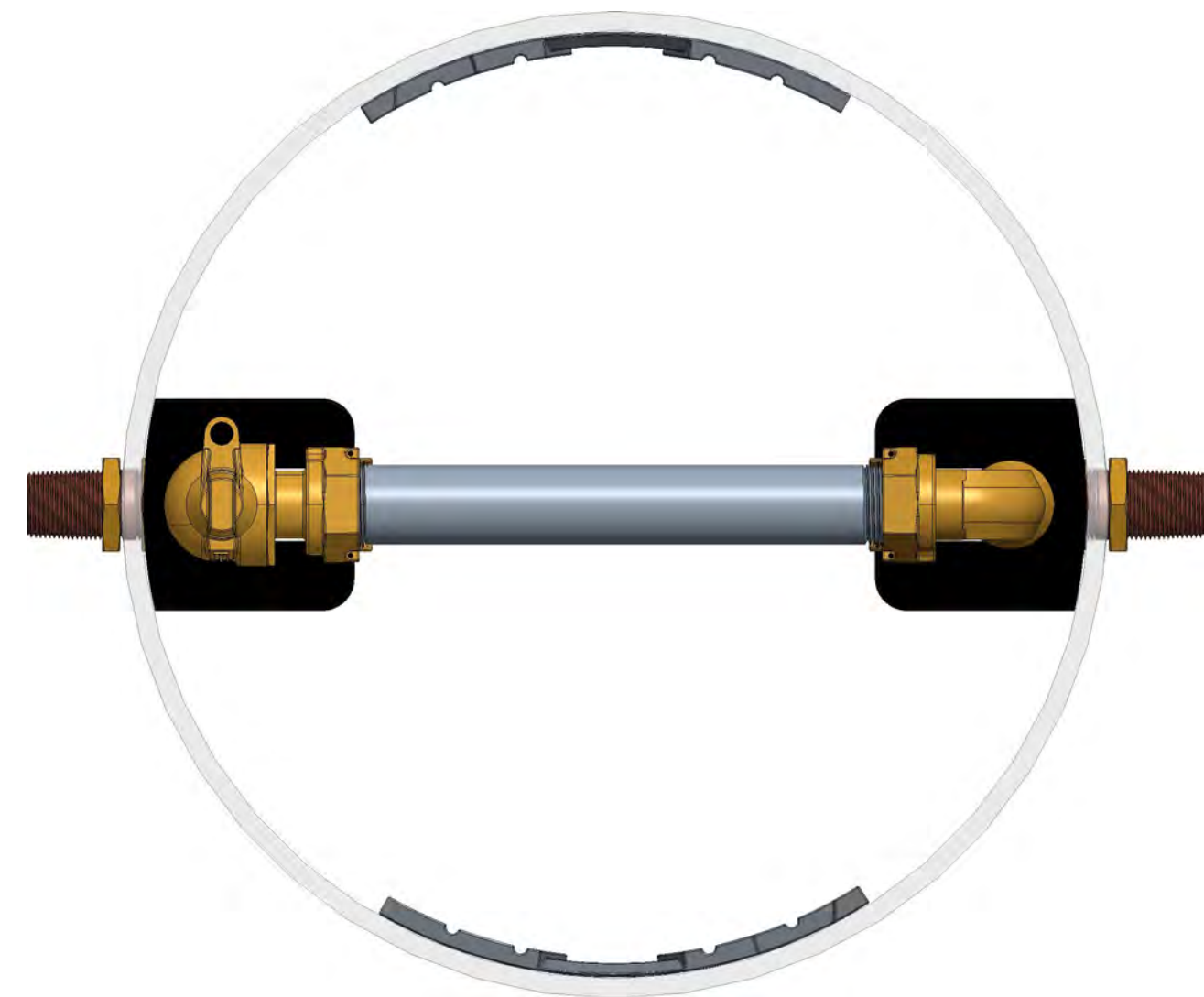


| ITEM NO | PART NUMBER | QTY | DESCRIPTION                          |
|---------|-------------|-----|--------------------------------------|
| 1       | 094987      | 2   | 1" FNPT ELBOW                        |
| 2       | 547400      | 2   | SUPPORT BRACKET                      |
| 3       | 549731      | 2   | 1" BRASS PIPE                        |
| 4       | 700250      | 1   | 1" METER JUMPER                      |
| 5       | 780019-1836 | 1   | SHELL SUB ASSEMBLY                   |
| 6       | 790010      | 3   | 1" HEX NUT                           |
| 7       | 790018      | 1   | 18" NON LOCKING FLAT LID (OPTIONAL)  |
| 8       | 790036      | 2   | 1" NIPPLE                            |
| 9       | 790153      | 1   | 18" INSULATION PAD (SOLD SEPARATELY) |
| 10      | 330B24265   | 1   | 1" FULL PORT BALL VALVE              |
| 11      | 330H14210   | 1   | 1" METER COUPLING                    |



OPTION CODE: 401  
 \*15.5" CENTERLINE FROM TOP OF SHELL

|        |     |         |                                   |         |                        |  |  |        |
|--------|-----|---------|-----------------------------------|---------|------------------------|--|--|--------|
| DR. BY | BBF | 4/22/19 | UNLESS OTHERWISE NOTED            |         | THIRD ANGLE PROJECTION |  | C.B. NO.   |        |
| CHKR   |     |         | BREAK CAST CORNER(S)---           |         |                        |  | PATT. NO.  |        |
| ENGR   |     |         | BREAK MACH CORNER(S)---           |         |                        |  |  | PURCH. |
| MGR    |     |         | TOLERANCES UNLESS OTHERWISE NOTED |         |                        |  | REF. NO.   | SCALE  |
| MFG    |     |         | LINEAR                            | ANGULAR | STK. NO.               |  |  |        |
| TOOL   |     |         | ±                                 | ±       |                        |  |  |        |
| FDRY   |     |         | MATL:                             |         |                        |  |  |        |
|        |     |         |                                   |         |                        |  | DESCR. 1" RIGID SINGLE METER PIT<br>18" DIA X 36" DEEP<br>LOW LEAD BRASS |        |
|        |     |         | NUMBER                            |         |                        |  | 330RS1836FABN000401N   |        |