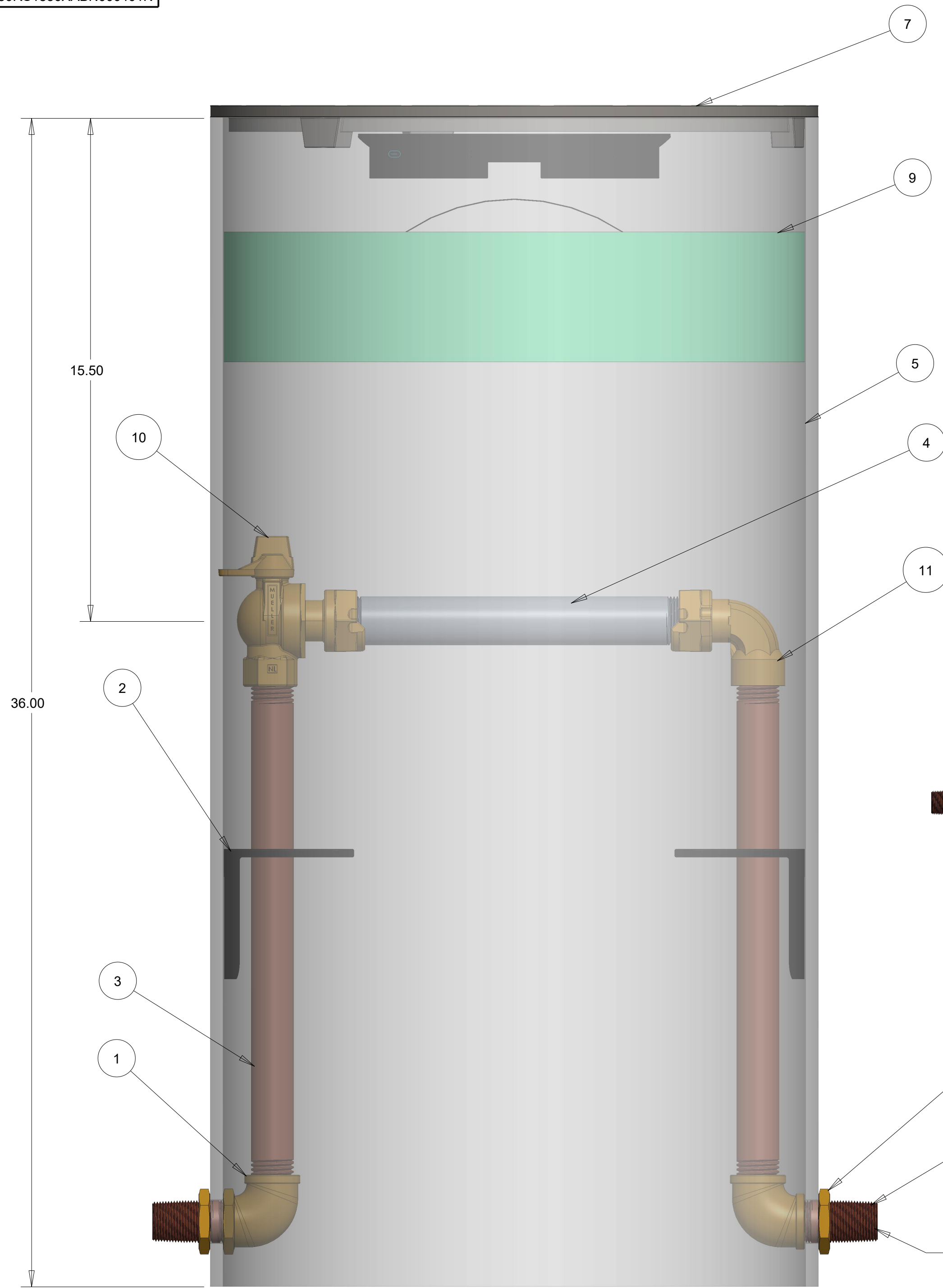
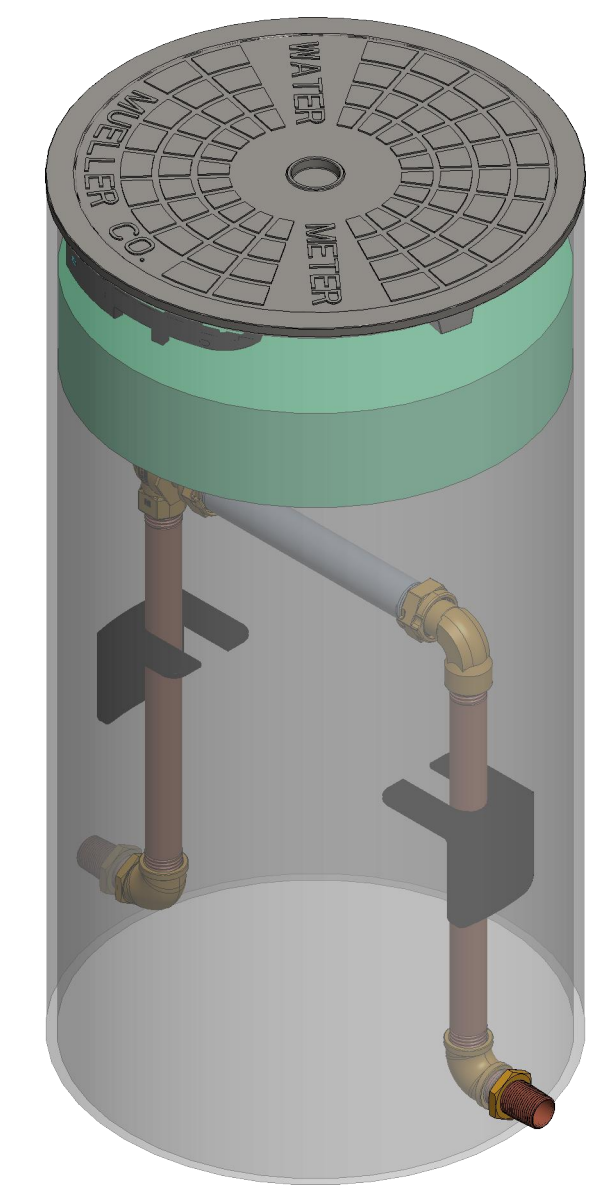
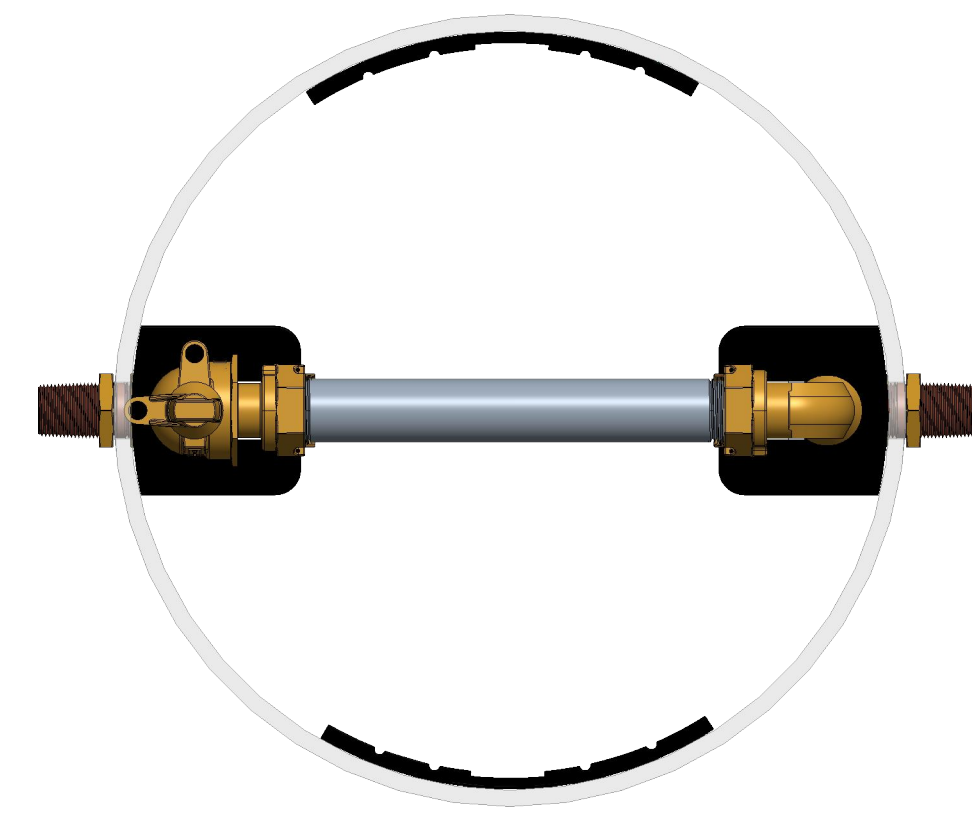


330RS1836XABN000401N



ITEM NO	PART NUMBER	QTY	DESCRIPTION
1	094987	2	1" FNPT ELBOW
2	547400	2	SUPPORT BRACKET
3	549731	2	1" BRASS PIPE
4	700250	1	1" METER JUMPER
5	780019-1836	1	SHELL SUB ASSEMBLY
6	790010	3	1" HEX NUT
7	790018	1	18" NON LOCKING FLAT LID (SOLD SEPARATELY)
8	790036	2	1" NIPPLE
9	790153	1	18" INSULATION PAD (SOLD SEPARATELY)
10	330B242653N	1	1" FULL PORT 360 BALL VALVE
11	330H14210	1	1" METER COUPLING



1" MNPT
INLET AND OUTLET

OPTION CODE: 000401
* 15-1/2" CENTERLINE FROM TOP OF SHELL

DR. BY	BBF	10/15/19	UNLESS OTHERWISE NOTED		THIRD ANGLE PROJECTION		C.B. NO.	
CHKR			BREAK CAST CORNER(S)---					
ENGR			BREAK MACH CORNER(S)---		PURCH.	FINISH	PATT. NO.	
MGR			TOLERANCES UNLESS OTHERWISE NOTED		REF. NO.	SCALE		
MFG			LINEAR	ANGULAR	STK. NO.			
TOOL			±	±				
FDRY			MATL:					
							DESCR.	1" RIGID SINGLE METER PIT 18" DIA X 36" DEPTH LOW LEAD BRASS
			NUMBER				330RS1836XABN000401N	