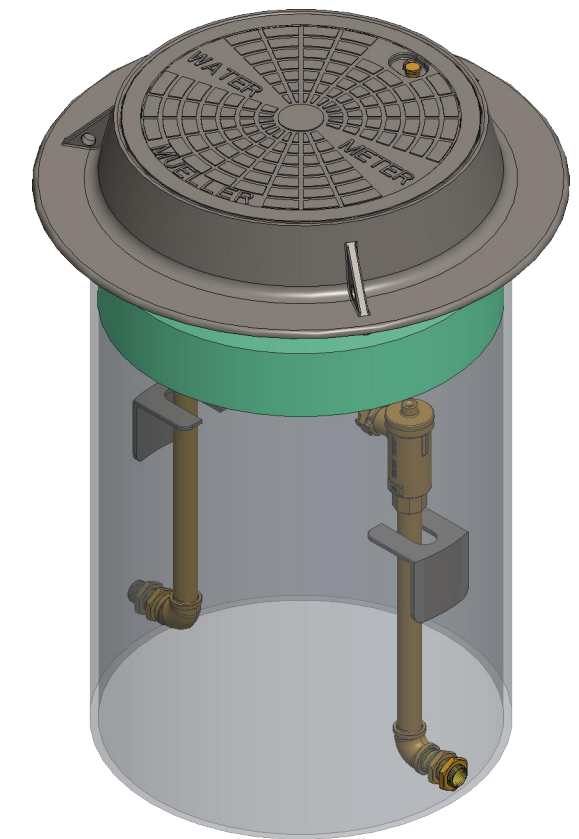
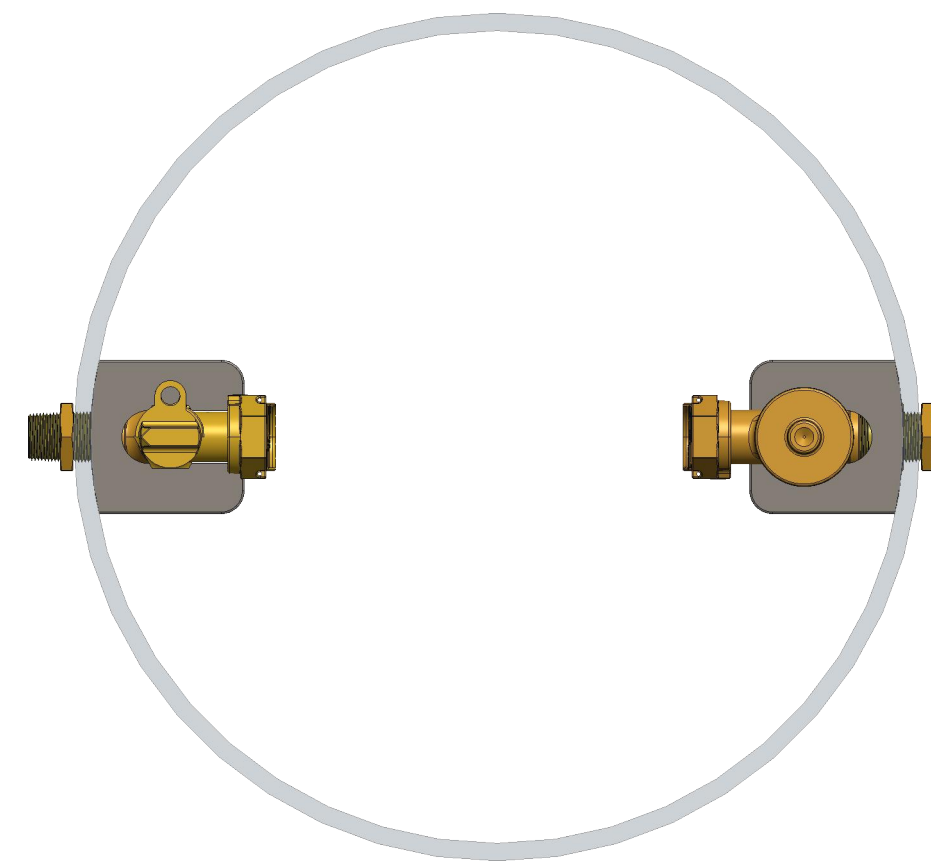
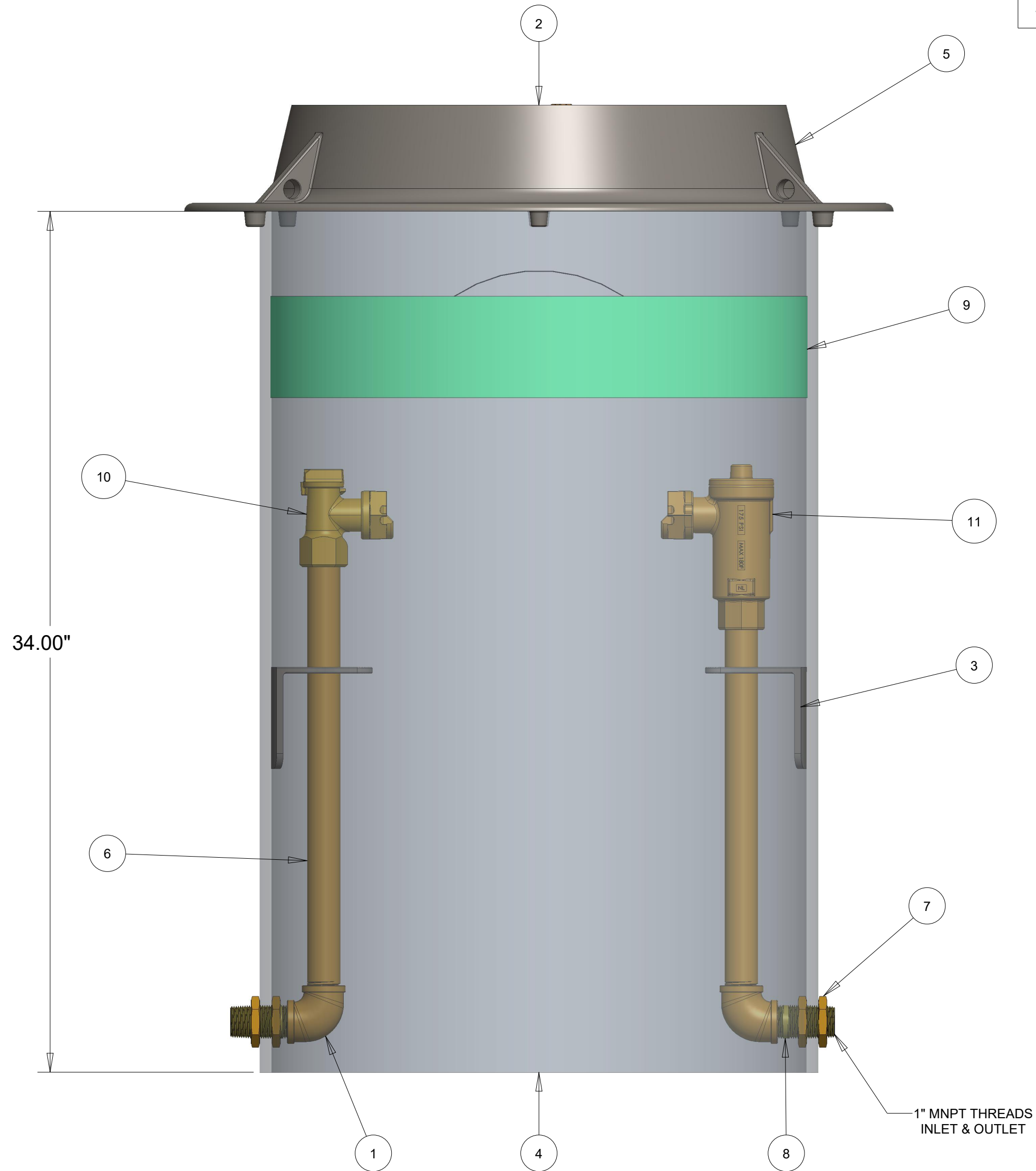


ITEM NO	PART NUMBER	QTY	DESCRIPTION
1	094987	2	1" FNPT ELBOW
2	282925	1	18" DIA CAST IRON SIDE LOCKING LID (SOLD SEPERATELY)
3	547400	2	SUPPORT BRACKET
4	700051-2134	1	SHELL SUB ASSEMBLY
5	700098-1	1	CAST IRON FRAME (SOLD SEPARATELY) (USED IN PAVED OR CONCRETE AREAS)
6	700571	2	1" BRASS PIPE
7	790010	4	1" HEX NUT
8	790036	2	1" NIPPLE
9	790119	1	24" X 2" INSULATION PAD (SOLD SEPARATELY)
10	330H14265	1	1" ANGLE METER STOP VALVE
11	330H14460AN	1	1" ASSE APPROVED VERTICAL CHECK



DR. BY	DWS	09/27/18	UNLESS OTHERWISE NOTED		THIRD ANGLE PROJECTION		C.B. NO.	
CHKR			BREAK CAST CORNER(S)---					
ENGR			BREAK MACH CORNER(S)---		PURCH.	FINISH	PATT. NO.	
MGR			TOLERANCES UNLESS OTHERWISE NOTED		REF. NO.	SCALE		
MFG			LINEAR	ANGULAR	STK. NO.			
TOOL			±	±				
FDRY			MATL:					
							DESCR. 1" RIGID SINGLE METER PIT 21" DIA X 34" DEPTH LOW LEAD BRASS	
			NUMBER				330RS2134FVBNN	