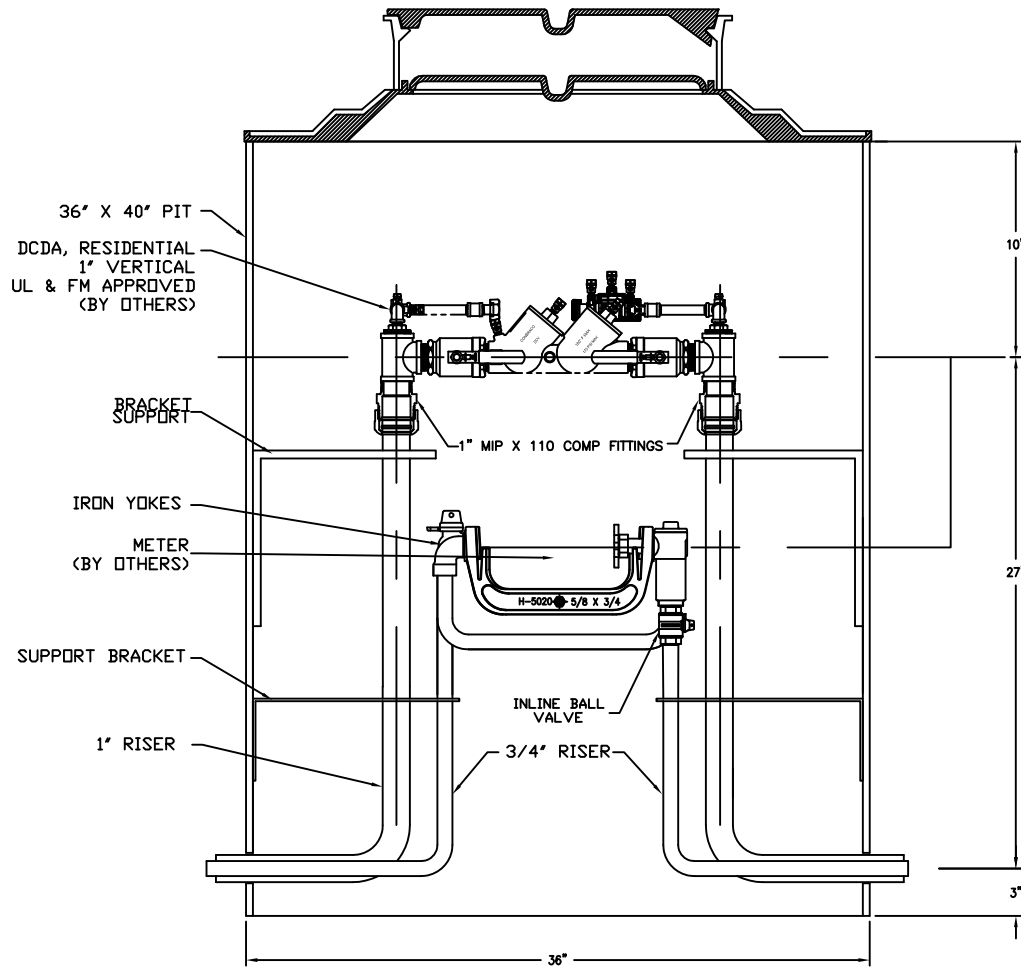
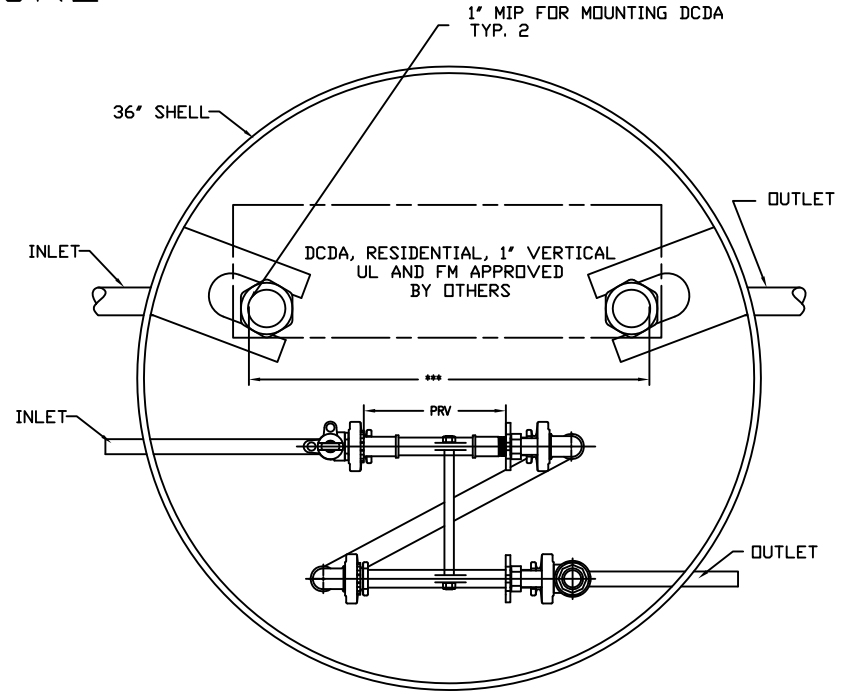


LOW PRESSURE



SIDE VIEW



TOP VIEW

NOTE: BACKFLOW NOT INCLUDED (SUPPLIED BY CUSTOMER)
 NOTE: ALL PIPING SHALL BE BRASS
 NOTE: PRV SUPPLIED AND INSTALLED BY MUELLER

DRFT'R	BBF	12/3/15	THIRD ANGLE PROJECTION	REF. NO.	SCALE
CHK'R					NONE
E.O. NUMBER				STOCK No.	
			DESCR.	REV.	NUMBER
			36" X 40" VAULT WITH TANDEM IRON YOKE & PROVISION FOR 1" DCDA	B30RS3640F	BBN000548N
					SHEET 1 of 1

330RS3640F BBN000548N

REV.	DESCRIPTION	REF.	DRFT'R	CHK'R	APP	DATE