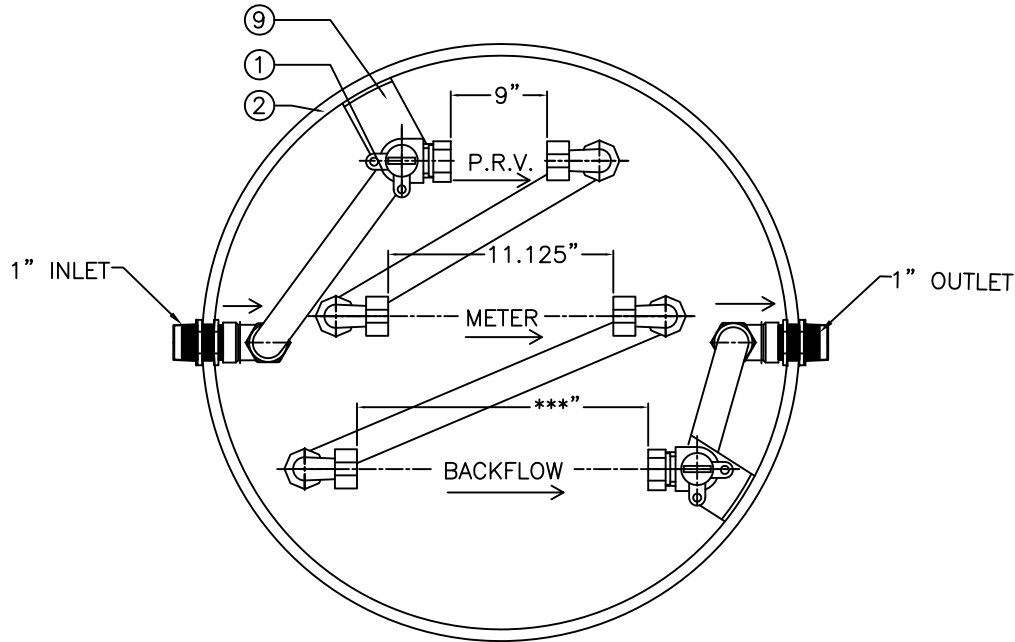
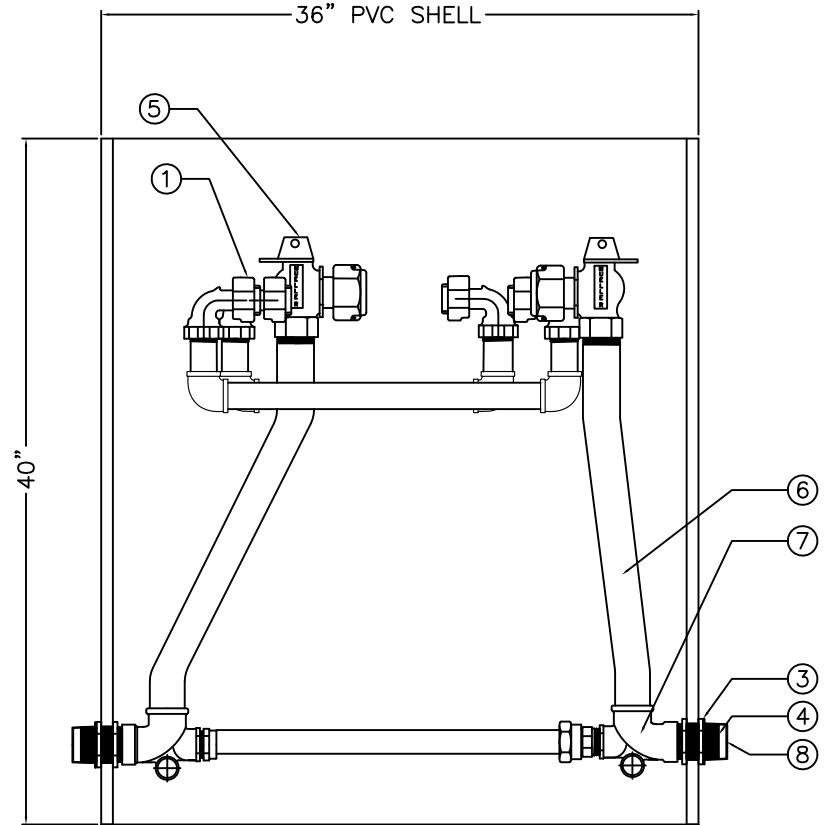


ITEM	DESCRIPTION	REQ'D
1	1" MUELLER FULL PORT BALL VALVE LLB	2
2	36" SHELL SUB-ASSEMBLY	1
3	HEX NUT	8
4	NIPPLE LLB	4
5	METER JUMPER LLB	2
6	1" BRASS PIPE LLB	4
7	1" ELBOW LLB	4
8	CAPLUG	4
9	PVC STABILIZING BRACKET	4



*** WAITING ON BACKFLOW LAY LENGTH

NOTE: PRV WILL BE SUPPLIED BY MUELLER AND INSTALLED BY MUELLER
 BACKFLOW WILL BE SUPPLIED BY CUSTOMER AND INSTALLED BY MUELLER



330RT3640FFBN000547N

REV.	DESCRIPTION	REF.	DRFT'R	CHK'R	APP	DATE

DRFT'R	BBF	12/2/15	THIRD ANGLE PROJECTION		REF. NO.	SCALE
CHK'R					STOCK No.	
E.O. NUMBER			DESCR.		OPT. 000547	NUMBER
			36" RIGID METER PIT		REV.	330RT3640FFBN000547N
					SHEET 1 OF 1	