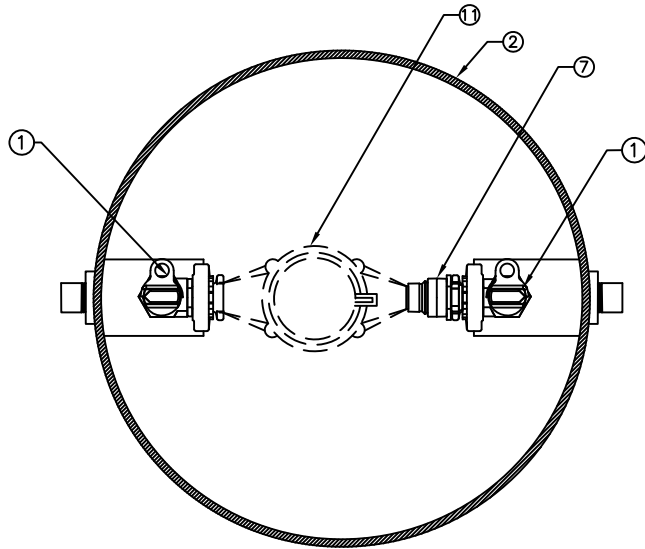
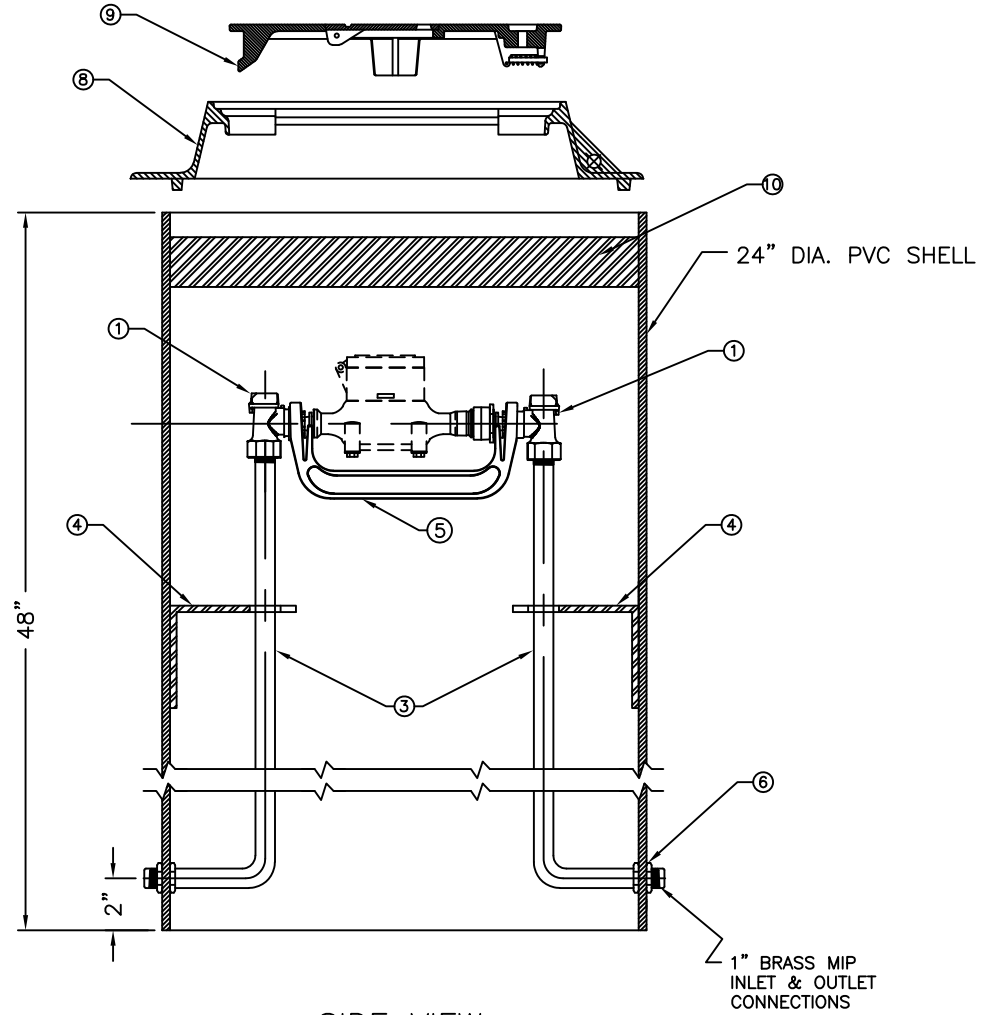


ITEM	DESCRIPTION	PART NO.	REQ'D
1	1" LOCKWING ANGLE METER STOP	P14278N	2
2	24" SHELL SUB-ASSEMBLY		1
3	RISER SUB ASSEMBLY		2
4	STABILIZING BRACKET		2
5	CAST IRON METER BAR - 5040		1
6	1" HEX NUT		4
7	EXPANSION HANDWHEEL		1
8	CAST IRON FRAME (OPTIONAL)	700098-1	----
9	CAST IRON LID (OPTIONAL)	780113	----
10	24" X 4" INSULATING PAD (OPTIONAL)	790325	----
11	METER (NOT INCLUDED)		----

*NOTE: METER NOT INCLUDED



TOP VIEW



SIDE VIEW

330YS2448LLBN

REV.	DESCRIPTION	REF.	DRFTR	CHK'R	APP	DATE

DRFT'R	BBF	3/22/18	THIRD ANGLE PROJECTION	REF. NO.	SCALE
CHK'R					NONE
E.O. NUMBER				STOCK No.	
DESCR.			1" YOKE SINGLE METER PIT 24" DIA X 48" DEPTH LOW LEAD BRASS		
Mueller Co.			REV.	NUMBER	
			330YS2448LLBN	SHEET 1 OF 1	