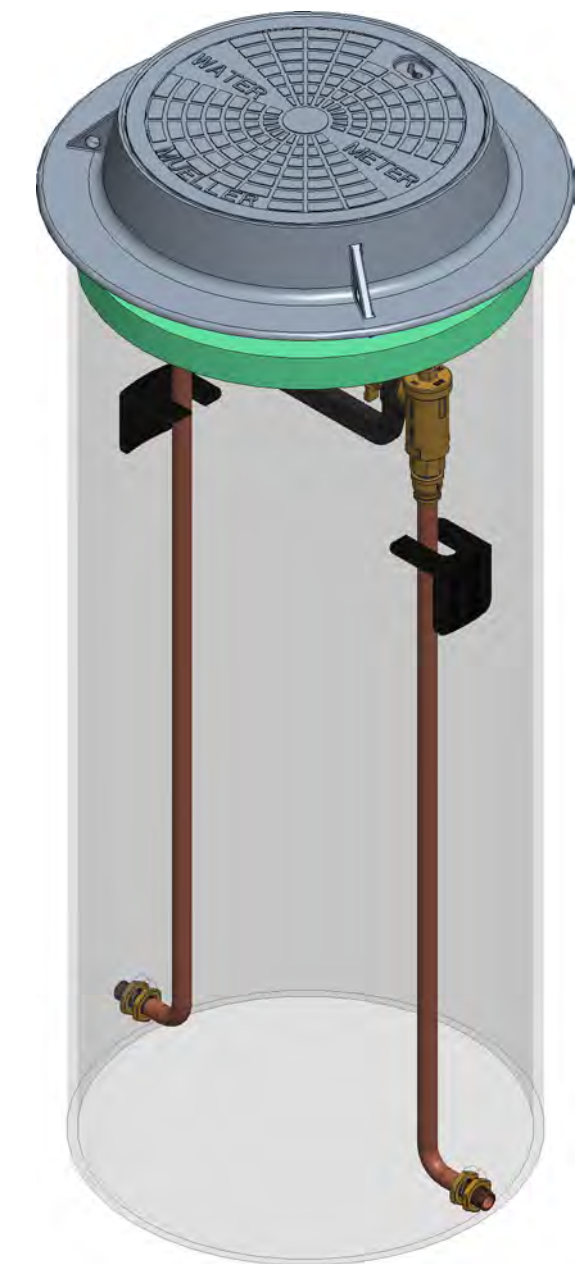
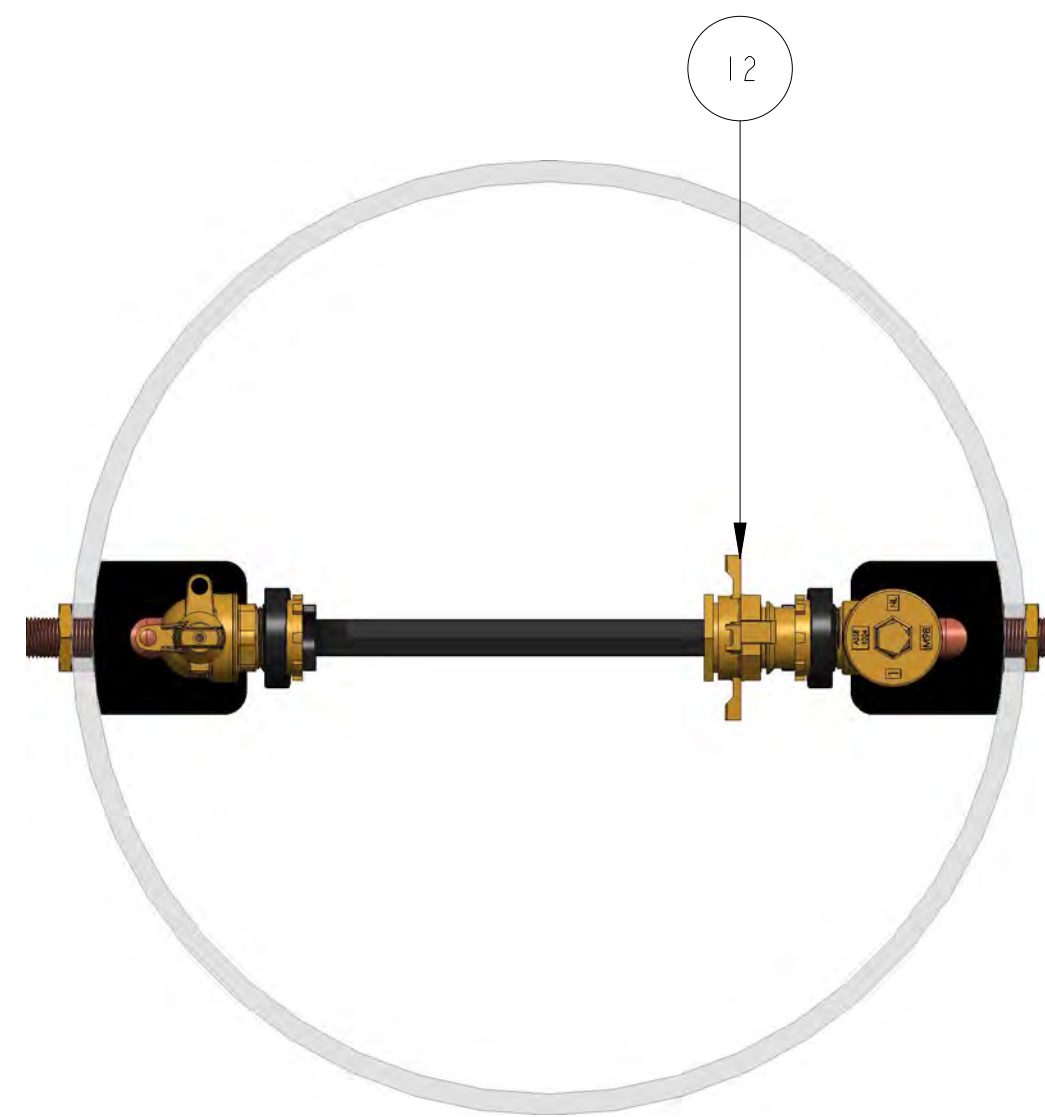


ITEM NO	PART NUMBER	QTY	DESCRIPTION
1	047139	2	1" X 1-1/2" CLOSED NIPPLE
2	282927	1	LID WITH SIDE MOUNTED KEY LOCK
3	526093-1	1	CAST IRON METER BAR
4	546396	2	3/4" SUPPORT BRACKET
5	700064-1572	1	RISER CONNECTOR
6	700098-1	1	CAST IRON FRAME (PURCHASED SEPARATELY)
7	700376	1	RISER CONNECTOR
8	780005-2460	1	SHELL SUB ASSEMBLY
9	790010	4	1" HEX NUT
10	790164	1	24" X 2" INSULATION PAD (PURCHASED SEPARATELY)
11	330B24278N	1	1" BALL ANGLE METER VALVE LLB
12	330H14234N	1	1" HANDWHEEL EXPANSION UNIT
13	330H1446405AN	1	1" ANGLE CHECK W/ TEST VALVE LLB
14	790059E	2	1" X 3/4" BELL REDUCER



OPTION CODE 764:
 *3/4" RISERS
 *CENTERLINE 9" FROM TOP OF SHELL

DR. BY	AOD	8/26/22	UNLESS OTHERWISE NOTED	THIRD ANGLE PROJECTION	C.B. NO.
CHKR			BREAK CAST CORNER(S)---		
ENGR			BREAK MACH CORNER(S)---	PURCH.	FINISH
MGR			TOLERANCES	REF. NO.	SCALE
MFG			UNLESS OTHERWISE NOTED	STR. NO.	PATT. NO.
TOOL			LINEAR	ANGULAR	
FDRY			±	±	
MAT'L:					
MUELLER			DESCR. 1" YOKE SINGLE METER PIT 24" DIA X 60" DEPTH LOW LEAD BRASS		NUMBER 330YS2460FVBN000764N