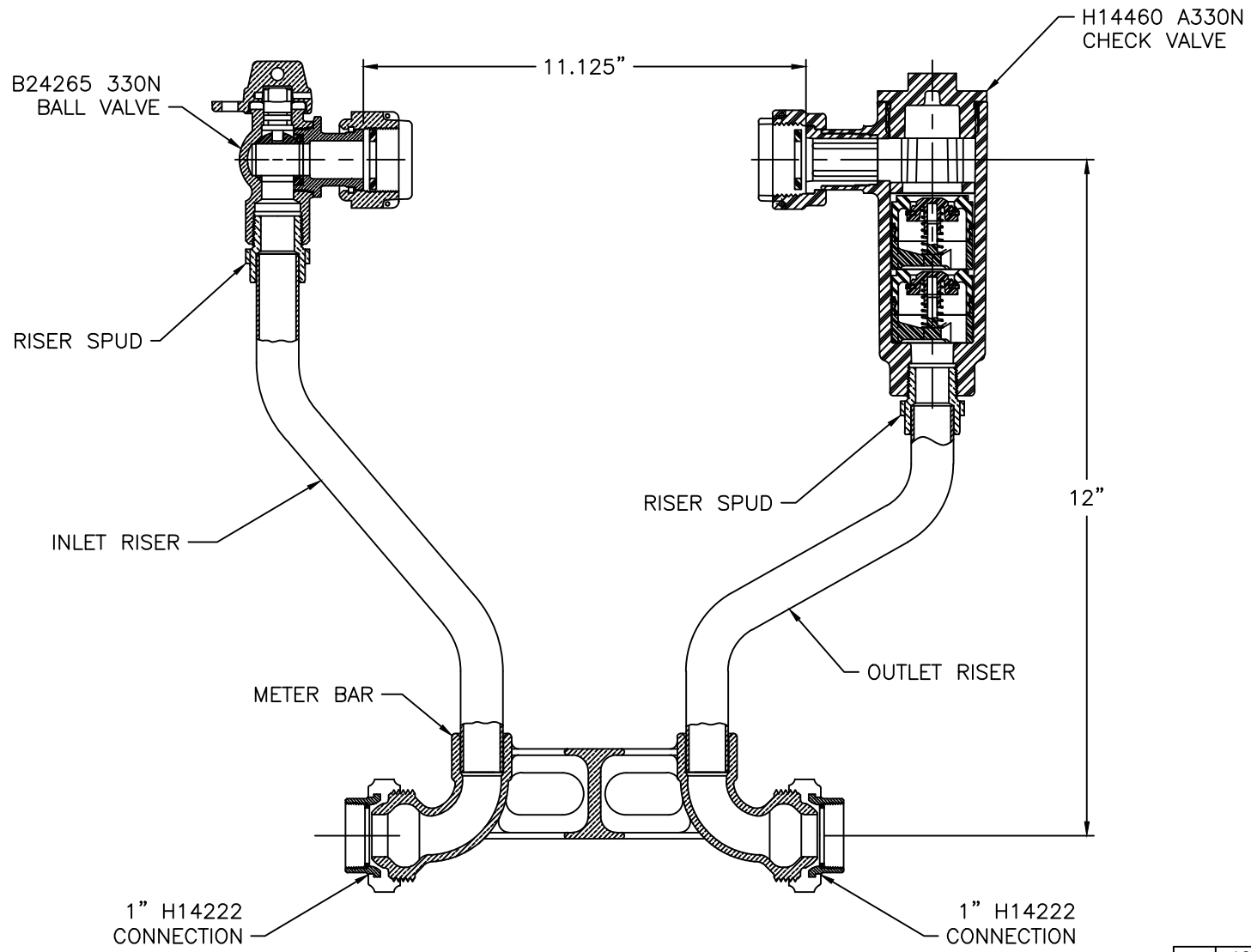


390B2404--6A30N



DRFT'R	AGW	2/12/15	THIRD ANGLE PROJECTION	REF. NO.	SCALE
CHK'R					NONE
E.O. NUMBER				STOCK No.	
DESCR.				REV.	NUMBER
1" COPPER METER YOKE					390B2404--6A30N
				SHEET 1 OF 1	

REV.	DESCRIPTION	REF.	DRFT'R	CHK'R	APP	DATE