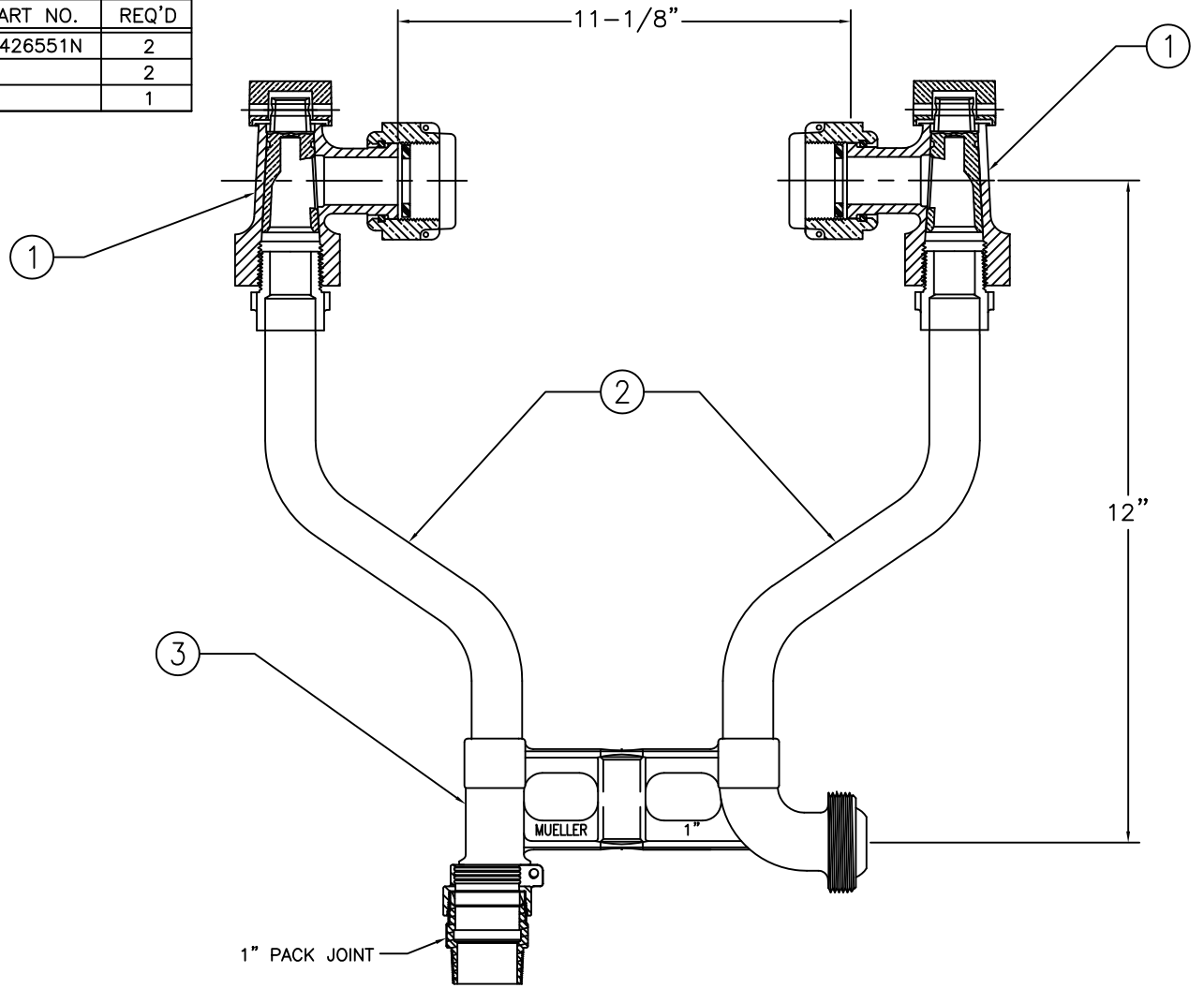


ITEM	DESCRIPTION	PART NO.	REQ'D
1	1" LOCKWING ANGLE METER STOP	H1426551N	2
2	RISER SUB ASSEMBLY		2
3	METER BAR		1



OPTION CODE: 03
 • ANGLE METER STOP ON INLET AND OUTLET

DRFT'R	BBF	5/17/16	THIRD ANGLE PROJECTION	REF. NO.	SCALE
CHK'R					NONE
E.O. NUMBER				STOCK No.	
Mueller Co.			DESCR.	REV.	NUMBER
			1" COPPER METER SETTER 12" RISER HEIGHT LOW LEAD BRASS	390P1478	03N
				SHEET 1 OF 1	

390P1478-----03N

REV.	DESCRIPTION	REF.	DRFT'R	CHK'R	APP	DATE