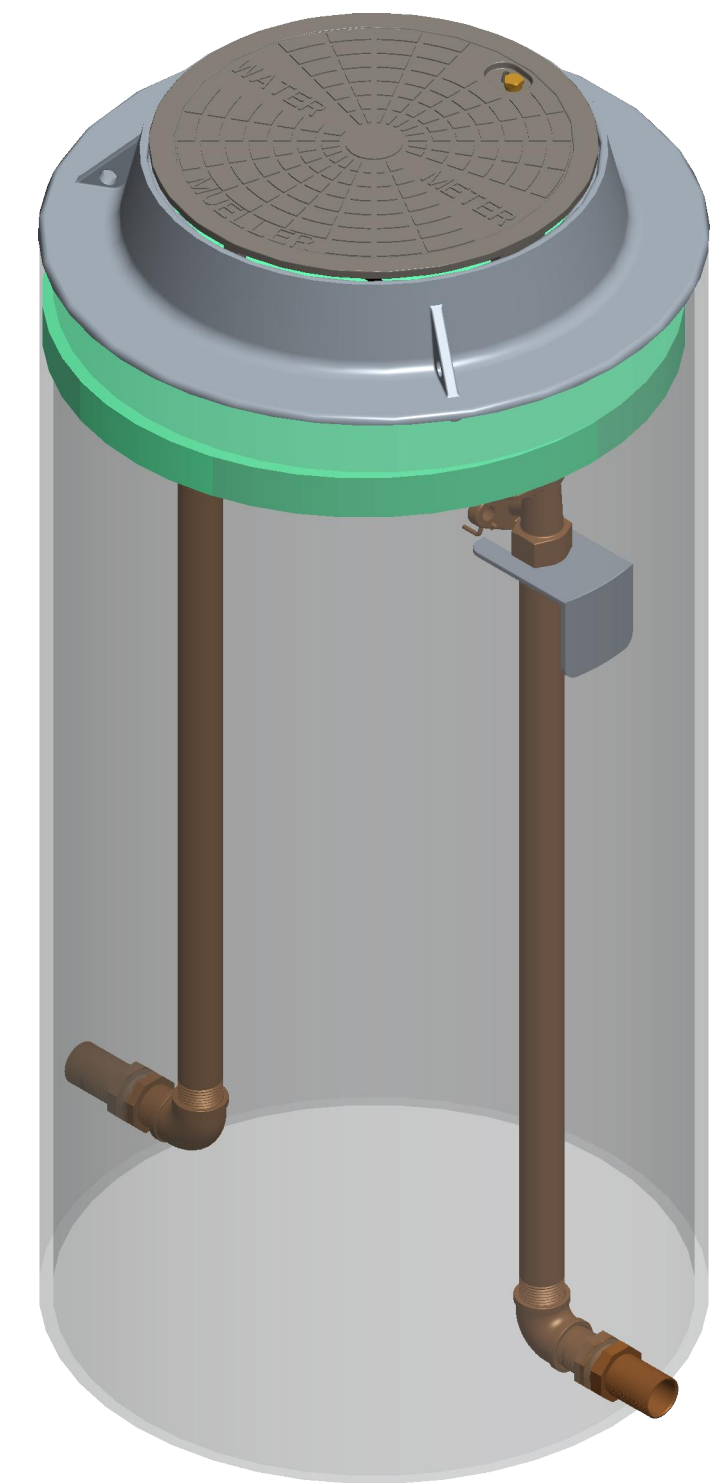
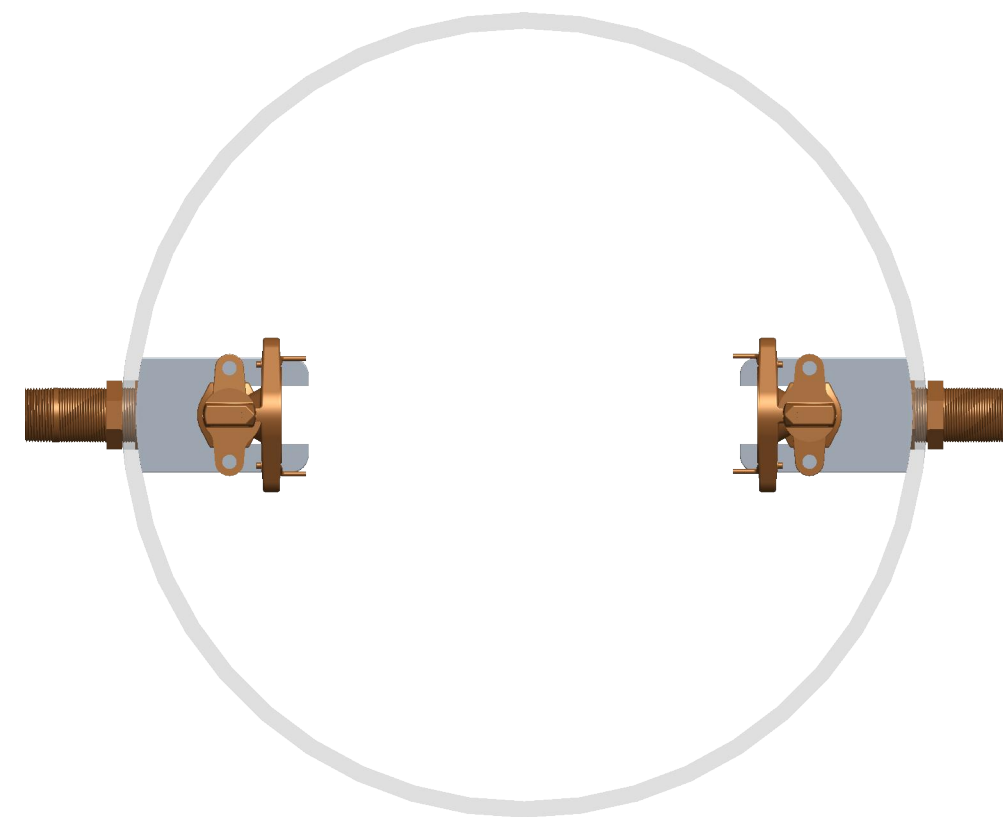
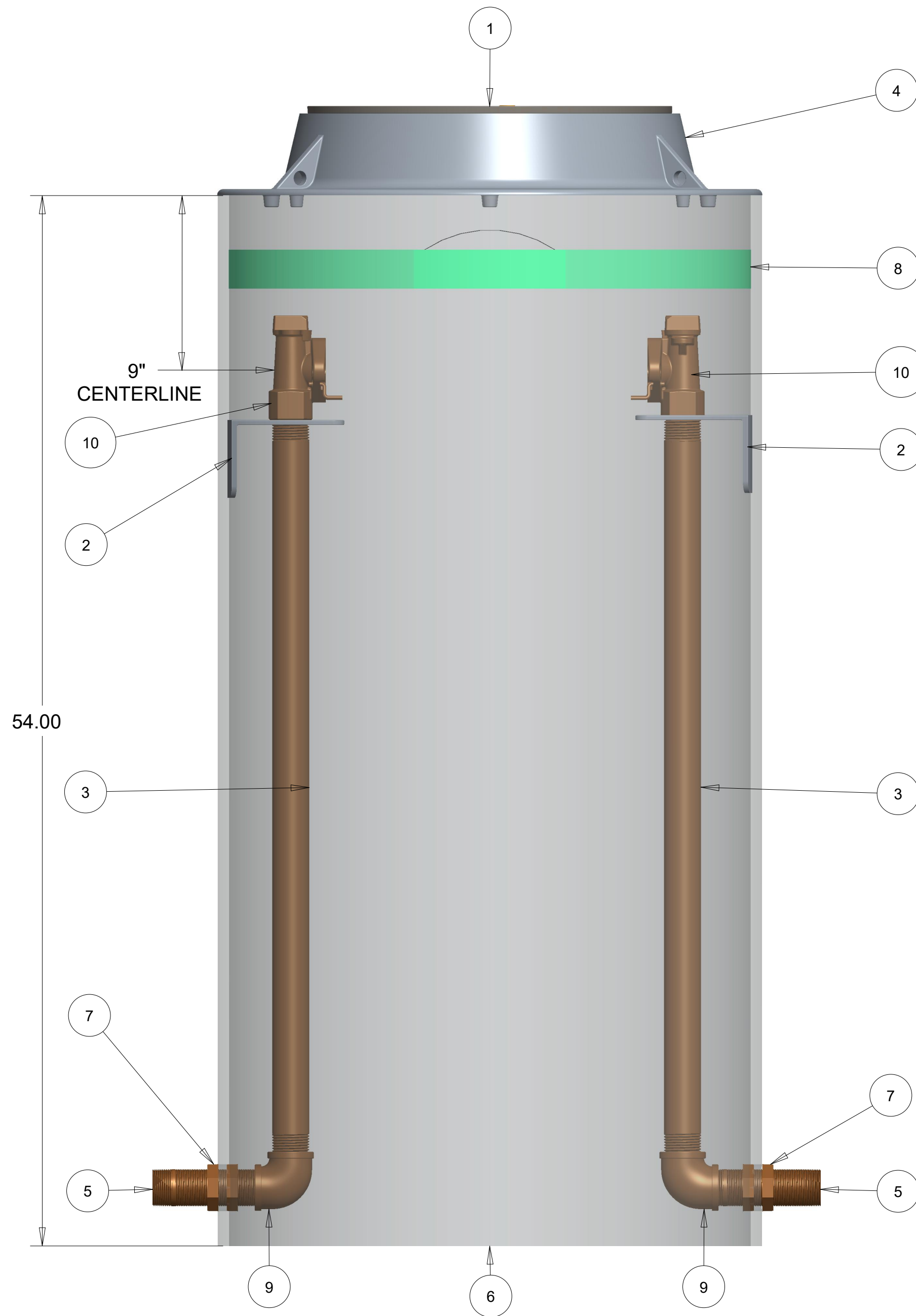


500VS2754LLBN000276N

ITEM NO	PART NUMBER	QTY	DESCRIPTION
1	282925	1	18" DIA CAST IRON SIDE LOCKING LID (SOLD SEPERATELY)
2	547404	2	SUPPORT BRACKET
3	700056	2	1-1/2" BRASS PIPE
4	700098-1	1	CAST IRON FRAME (PURCHASED SEPARATELY) ( USED IN PAVED OR CONCRETE AREAS)
5	700512	2	1-1/2" NIPPLE
6	780007-2754	1	SHELL SUB ASSEMBLY
7	790038	4	1-1/2" HEX NUT
8	790326	1	27" INSULATION PAD (PURCHASED SEPARATELY)
9	094988E	2	1-1/2" 90 DEG ELBOW
10	500H1428601N	2	1-1/2" ANGLE METER STOP



DR. BY	DWS	06/20/18	UNLESS OTHERWISE NOTED		THIRD ANGLE PROJECTION		C.B. NO.	
CHKR			BREAK CAST CORNER(S)---					
ENGR			BREAK MACH CORNER(S)---		PURCH.	FINISH	PATT. NO.	
MGR			TOLERANCES UNLESS OTHERWISE NOTED				REF. NO.	SCALE
MFG			LINEAR	ANGULAR	STK. NO.			
TOOL			±	±				
FDRY			MATL:					
<b>Mueller Co.</b>		DESCR.	1-1/2" VAULT SINGLE METER PIT 27" DIA X 54" DEPTH LOW LEAD BRASS		NUMBER	500VS2754LLBN000276N		