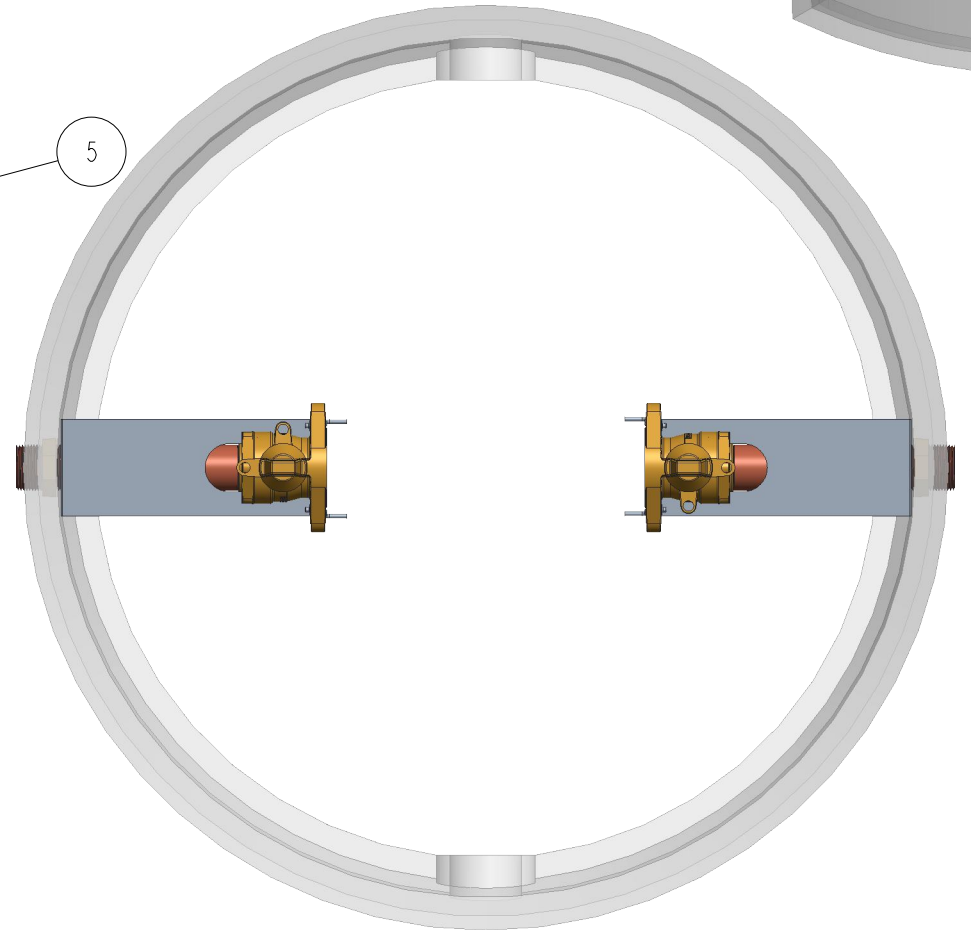
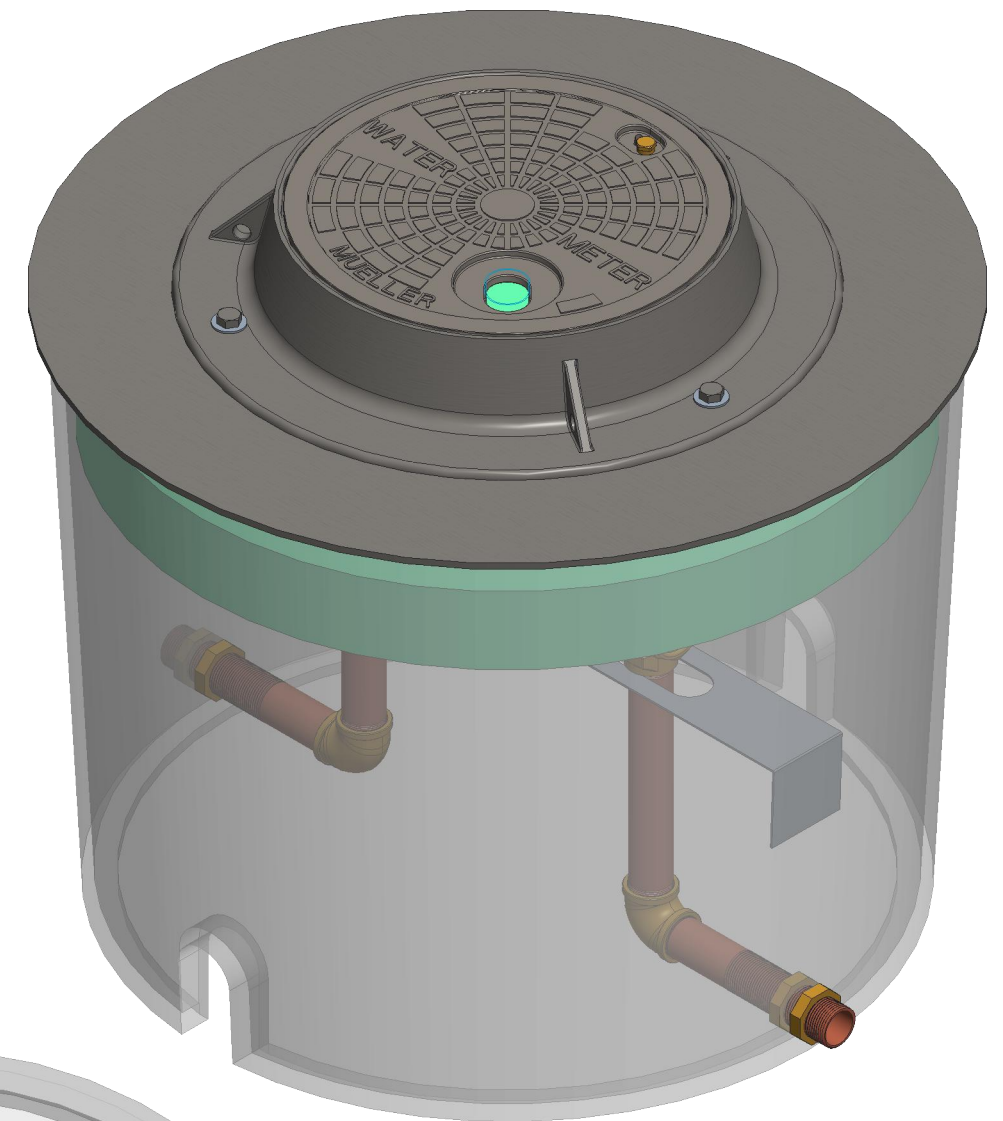
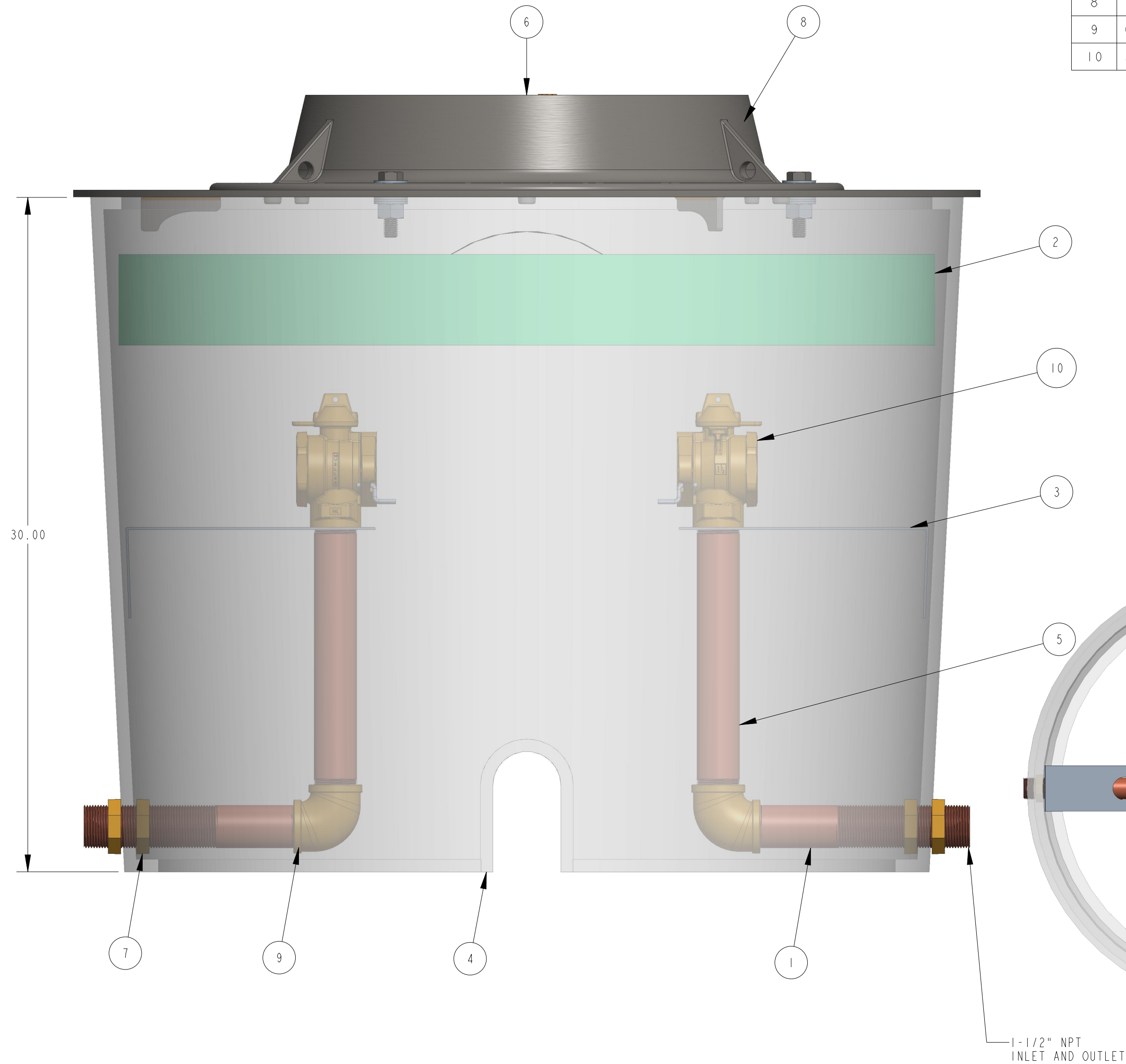


500VS3630FFBN

ITEM NO	PART NUMBER	QTY	DESCRIPTION
1	534894	2	1-1/2" X 10" BULKHEAD NIPPLE
2	547743	1	36" INSULATION PAD (SOLD SEPERATELY)
3	548554	2	STAINLESS STEEL SUPPORT BRACKET
4	548868	1	36" x 30" SHELL
5	551010	2	THREADED PIPE 1-1/2" X 12-13/16"
6	780113	1	18" DIA CAST IRON LID W/ RECESSED TR (SOLD SEPERATELY)
7	790038	4	1-1/2" HEX NUT
8	790438	1	36" EXTENSION RING W/ 18" OPENING (SOLD SEPERATELY)
9	094988E	2	1-1/2" 90 DEG ELBOW
10	500B242860IN	2	1-1/2" FULL PORT BALL VALVE



DR. BY	SLV	7/22/20	UNLESS OTHERWISE NOTED		THIRD ANGLE PROJECTION		C.B. NO.
CHKR			BREAK CAST CORNER(S)---				
ENGR			BREAK MACH CORNER(S)---		PURCH.	FINISH	PATT. NO.
MGR			TOLERANCES		REF. NO.	SCALE	
MFG			UNLESS OTHERWISE NOTED				
TOOL			LINEAR	ANGULAR			
FDRY			±	±	STR. NO.		
MAT'L:							
<b>Mueller Co.</b>			DESCR. 1-1/2" VAULT SINGLE METER PIT		NUMBER		
			36" DIA. X 30" DEPTH		500VS3630FFBN		
			LOW LEAD BRASS				