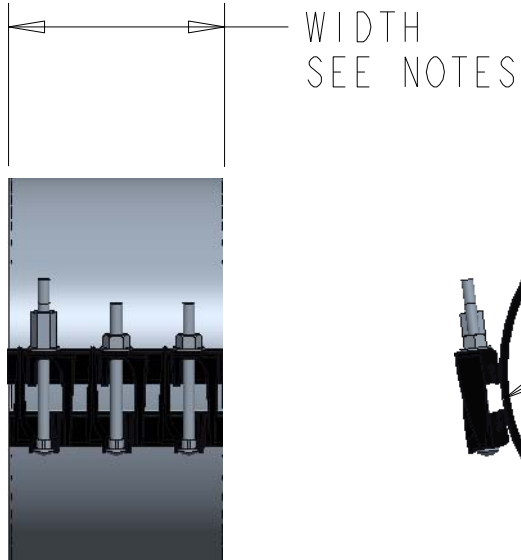
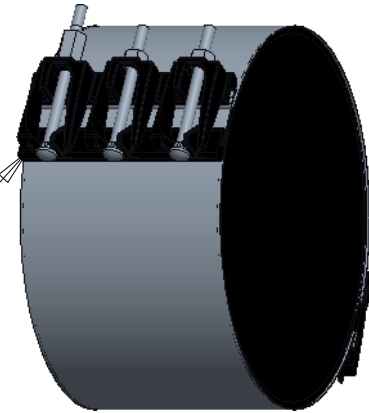


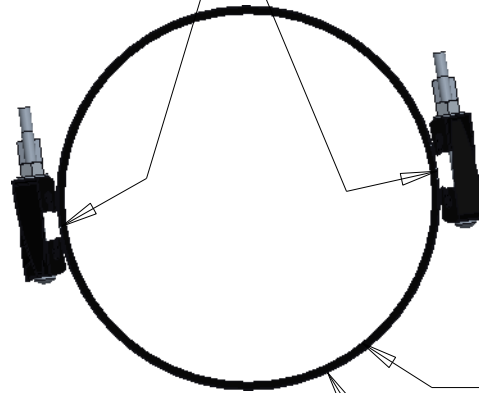
510 SERIES



DUCTILE IRON MOUNTING LUGS



304L STAINLESS STEEL GAP BRIDGE



TAPERED NBR GASKET

REPAIR CLAMP BAND
SEE NOTES

- NOTES
1. NOMINAL PIPE SIZE RANGE, $\varnothing 4"$ - $\varnothing 36"$ FOR CAST IRON, DUCTILE IRON, STEEL, A-C AND PVC PIPE.
 2. WIDTH VARIES FROM 6" TO 30".
 3. NSF APPROVED.

DR. BY	DLG	03/05/14	UNLESS OTHERWISE NOTED		THIRD ANGLE PROJECTION		C. B. NO.
CHKR			BREAK CAST CORNER(S)---				
ENGR			BREAK MACH CORNER(S)---				
MGR			TOLERANCES		PURCH.	FINISH	REVISION
MFG			UNLESS OTHERWISE NOTED		REF. NO.	SCALE	
TOOL			LINEAR	ANGULAR	STK. NO.		
FDRY			±	±			
MAT'L: 304L STAINLESS STEEL							
			DESCR.			NUMBER	
			ALL 510 SERIES REPAIR CLAMPS			510 SERIES	