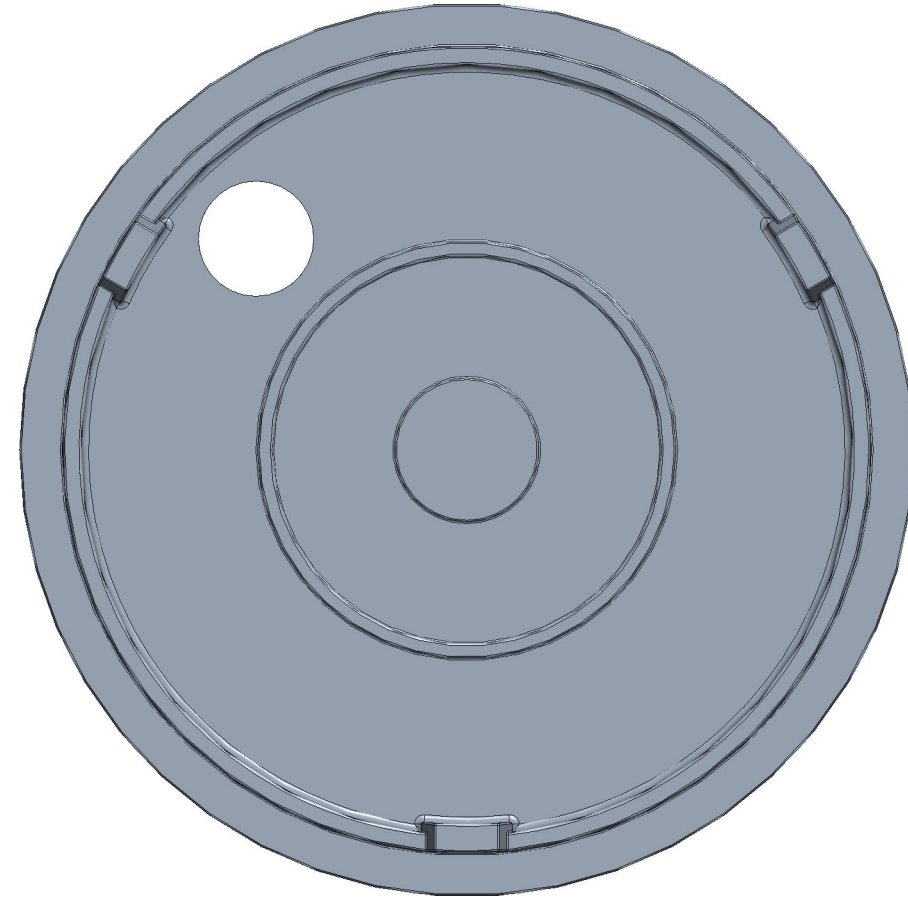
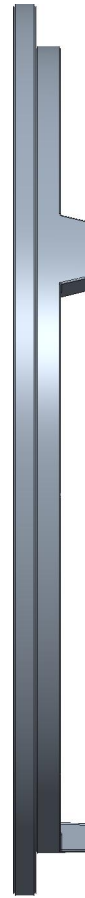
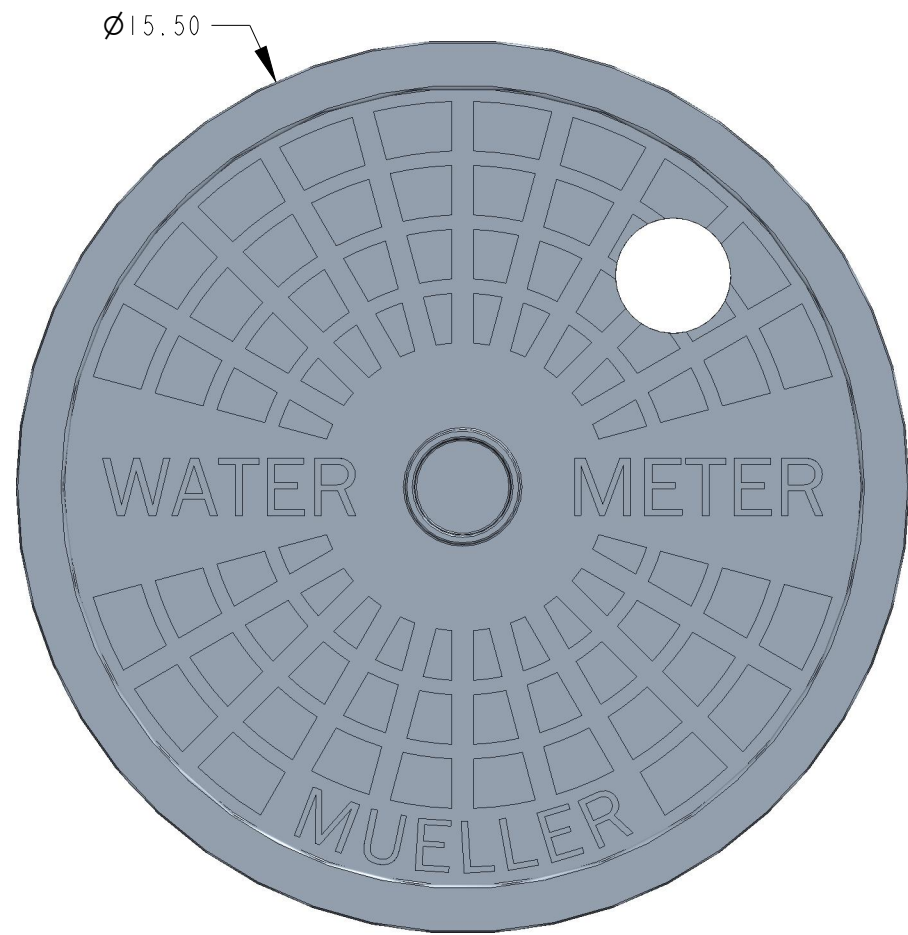


ITEM NO	PART NUMBER	QTY	DESCRIPTION	MATERIAL
1	790007	1	15" CAST IRON FLAT LID	CAST IRON ASTM A126 CLASS B



DR. BY	AOD	3/22/23	UNLESS OTHERWISE NOTED	THIRD ANGLE PROJECTION	C.B. NO.
CHKR			BREAK CAST CORNER(S)---		
ENGR			BREAK MACH CORNER(S)---	PURCH.	PATT. NO.
MGR			TOLERANCES	FINISH	
MFG			UNLESS OTHERWISE NOTED	REF. NO.	SCALE
TOOL			LINEAR		NONE
FDRY			±	ANGULAR	STK. NO.
MAT'L:					
			DESCR.	NUMBER	
			15" FLAT LID WITH TOUCH-READ HOLE CAST IRON	544619	