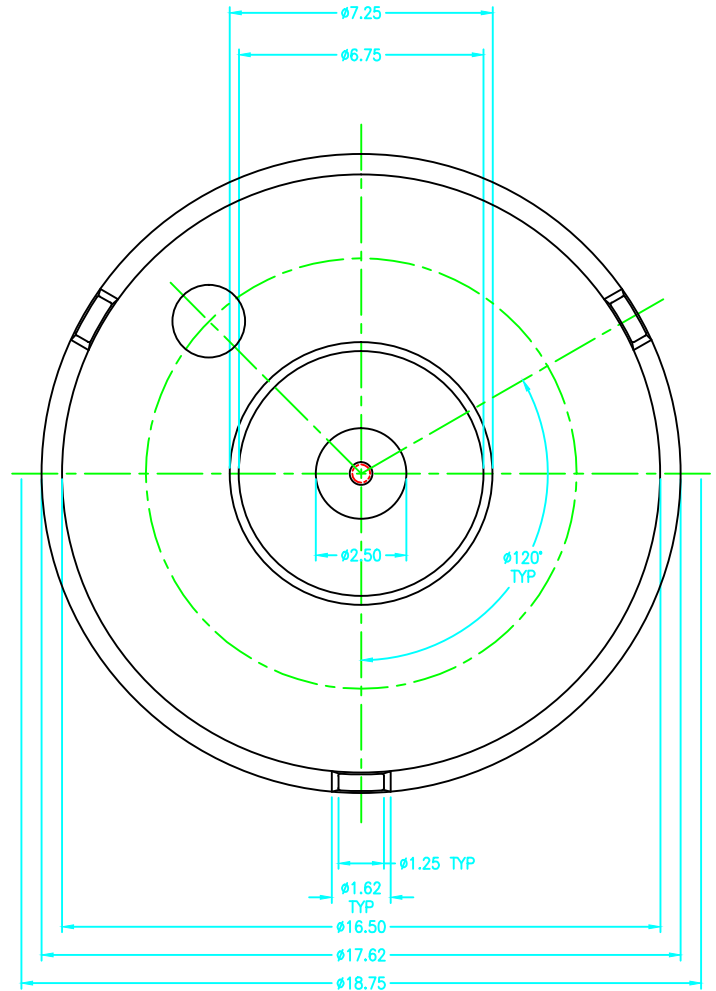
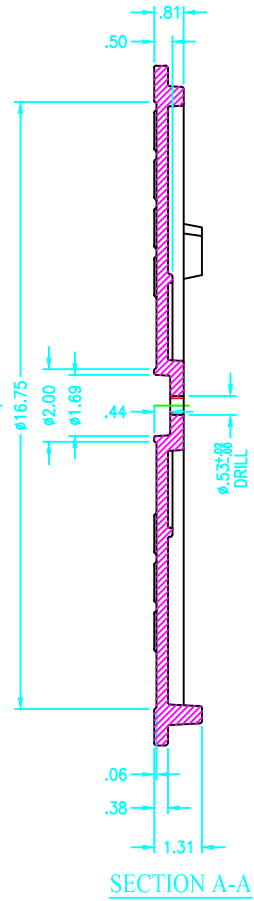
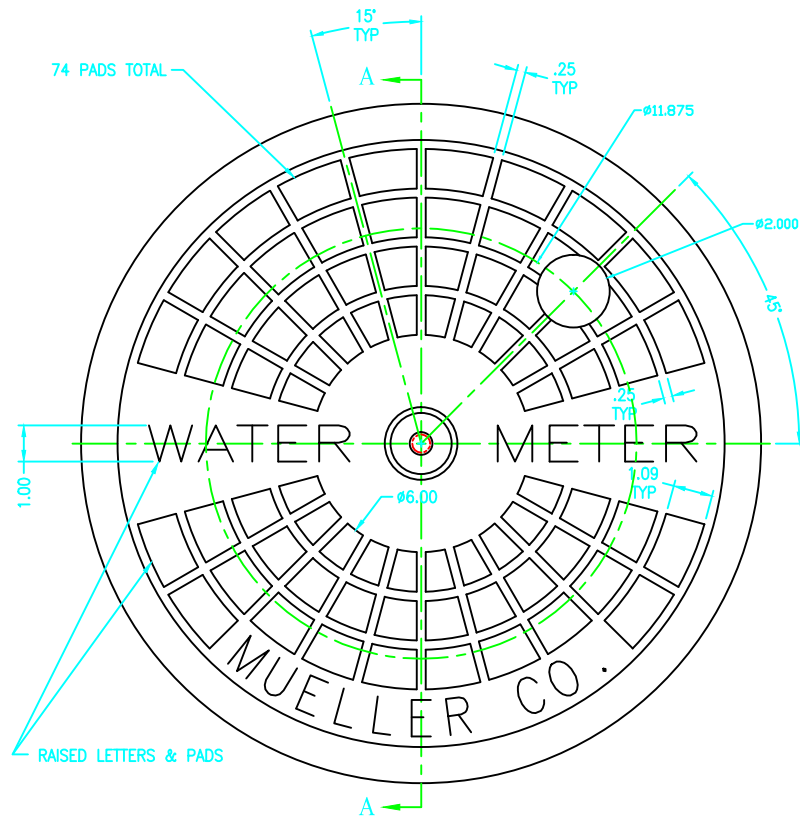




REV.	DESCRIPTION	REF.	DATE
---	---	ECO---	XX-XX-XX



THIS DRAWING IS SUBJECT TO REVISION OF DRAWING 790018 AND MUST BE UPDATED AS IT IS REVISED

TOLERANCES — MACHINING UNLESS OTHERWISE NOTED		THIRD ANGLE PROJECTION
FIN (MILLIMETER)	FIN (INCH)	
INITIAL RELEASE	INITIAL RELEASE	
DRPTR MDT 01-22-10	BREAK EDGES	PURCH. YES
CHKR JOX 06-28-20	MACH. .006/.016	FINISH ROUGH
APP JOX 06-28-20	FINISH SURFACES	REF. NO. NONE
	125	SCALE NONE
	EDGES DECIMALS 3 PL. ±.025	
	±1/64	
	3 PL. ±.005	
	ANGLES ±1°	
E.O. NUMBER ECO1525520		STK. NO. 790018
	MATL. GRAY CAST IRON ASTM A126 CLASS B	
	DESCR. 18" FLAT LID w/ 2" TOUCH READ HOLE	REVISION 0
		NUMBER 544620
		SHEET 1 OF 1

**APPROVED**  
By Murray Thompson at 10:03 am, Jan 22, 2010

