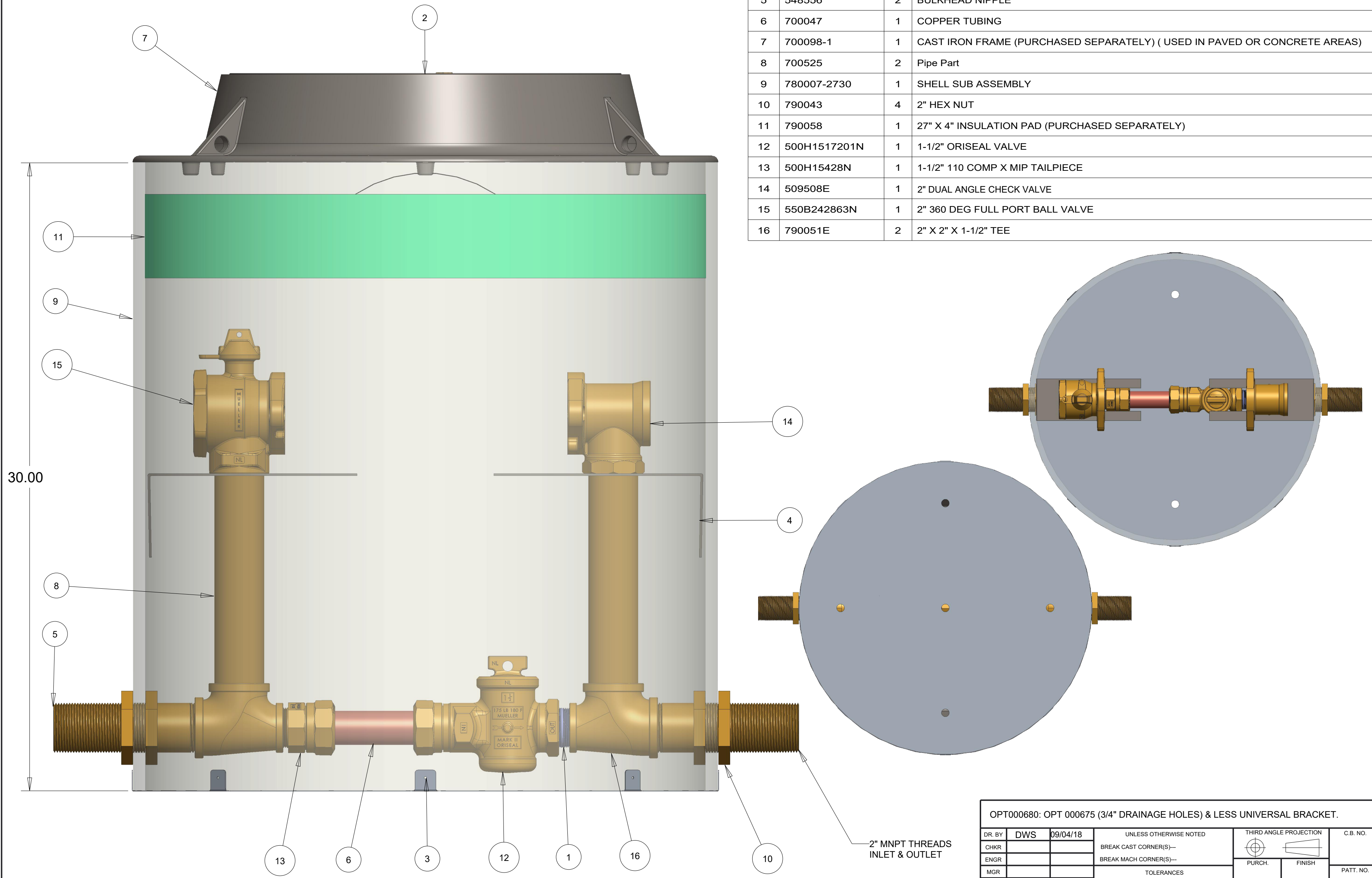


ITEM NO	PART NUMBER	QTY	DESCRIPTION
1	047141	1	1-1/2" CLOSED NIPPLE
2	282925	1	18" DIA CAST IRON SIDE LOCKING LID (PURCHASED SEPERATELY)
3	548210-HOLES	1	27" STAINLESS STEEL BOTTOM
4	548555	2	STAINLESS STEEL SUPPORT BRACKET
5	548556	2	BULKHEAD NIPPLE
6	700047	1	COPPER TUBING
7	700098-1	1	CAST IRON FRAME (PURCHASED SEPARATELY) (USED IN PAVED OR CONCRETE AREAS)
8	700525	2	Pipe Part
9	780007-2730	1	SHELL SUB ASSEMBLY
10	790043	4	2" HEX NUT
11	790058	1	27" X 4" INSULATION PAD (PURCHASED SEPARATELY)
12	500H1517201N	1	1-1/2" ORISEAL VALVE
13	500H15428N	1	1-1/2" 110 COMP X MIP TAILPIECE
14	509508E	1	2" DUAL ANGLE CHECK VALVE
15	550B242863N	1	2" 360 DEG FULL PORT BALL VALVE
16	790051E	2	2" X 2" X 1-1/2" TEE



2" MNPT THREADS INLET & OUTLET

OPT000680: OPT 000675 (3/4" DRAINAGE HOLES) & LESS UNIVERSAL BRACKET.

DR. BY	DWS	09/04/18	UNLESS OTHERWISE NOTED		THIRD ANGLE PROJECTION		C.B. NO.
CHKR			BREAK CAST CORNER(S)---				
ENGR			BREAK MACH CORNER(S)---		PURCH.	FINISH	PATT. NO.
MGR			TOLERANCES UNLESS OTHERWISE NOTED		REF. NO.	SCALE	
MFG			LINEAR	ANGULAR	STK. NO.		
TOOL			±	±			
FDRY			MATERIAL:				
						DESCR. 2" VAULT BY-PASS METER PIT 27" DIA X 30" DEPTH LOW LEAD BRASS	
			NUMBER			550VB2730FBA000680N	