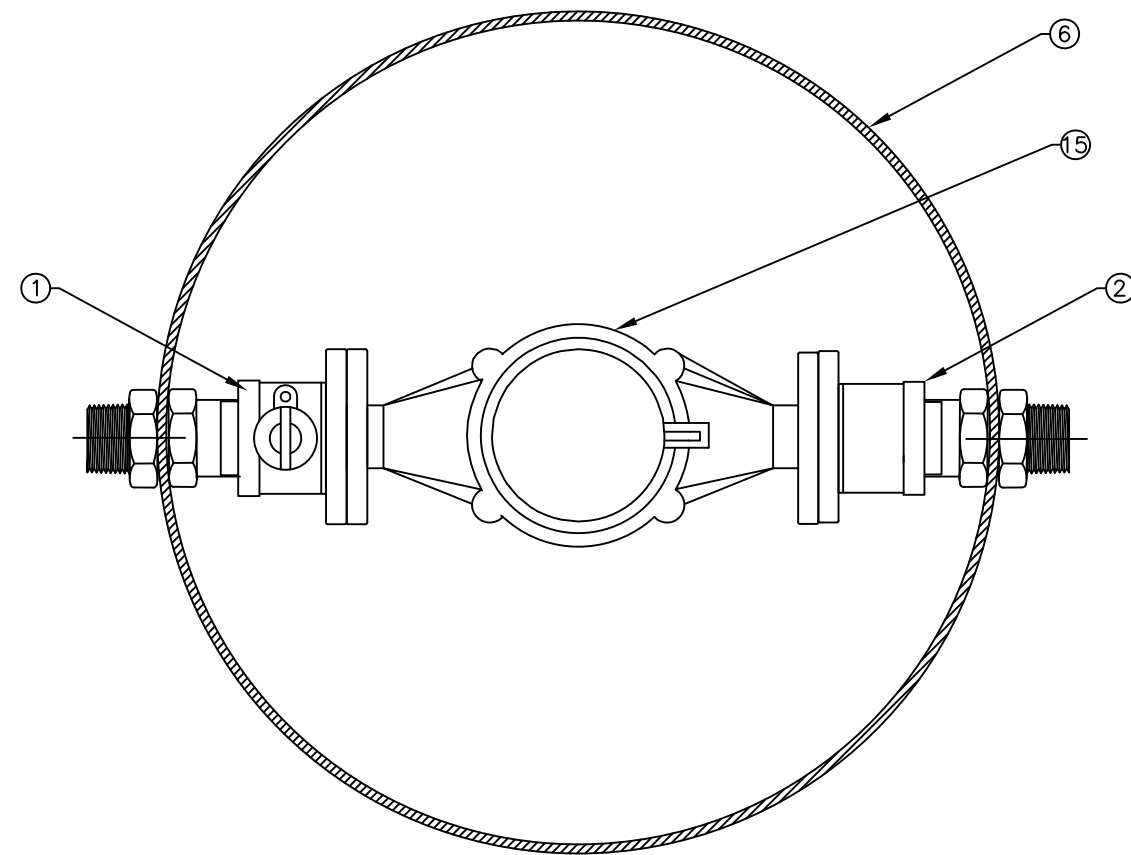
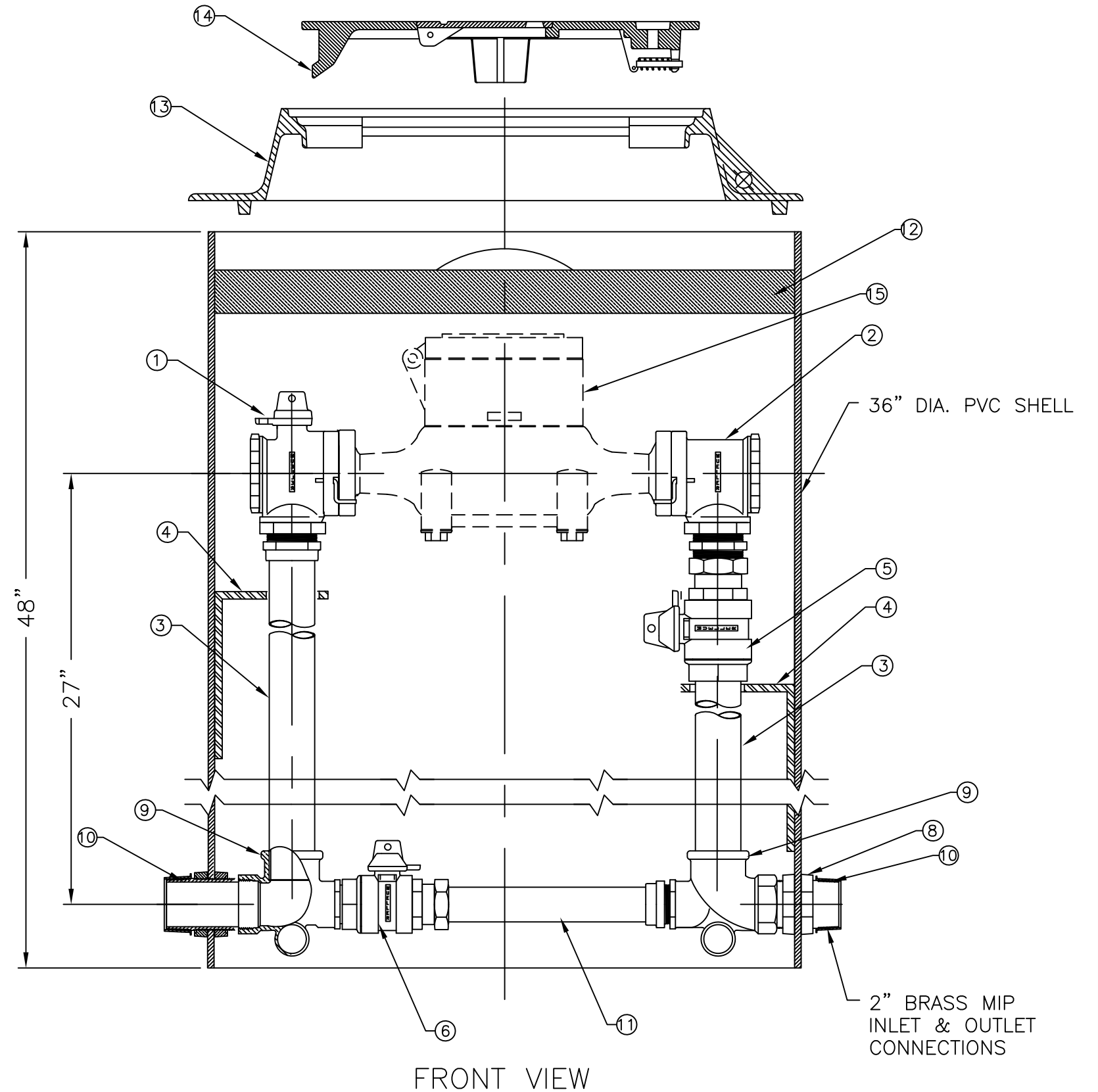


ITEM	DESCRIPTION	PART NO.	REQ'D
1	2" LOCKWING BALL VALVE	B2428601N	1
2	2" DUAL CHECK VALVE	H14244N	1
3	RISER SUB ASSEMBLY		2
4	STABILIZING BRACKET		2
5	2" INLINE BALL VALVE		1
6	1" INLINE BALL VALVE		1
7	36" SHELL SUB-ASSEMBLY		1
8	2" HEX NUTS		4
9	2" X 2" X 1" FIP TEE		2
10	2" NIPPLE		2
11	1" BY-PASS SUB ASSEMBLY		1
12	36" X 4" INSULATING PAD (OPTIONAL)	547743	---
13	CAST IRON FRAME (OPTIONAL)	790438	---
14	CAST IRON SIDE LOCKING LID (OPTIONAL)	780113	---
15	METER (NOT INCLUDED)		---

*NOTE: METER NOT INCLUDED



TOP VIEW



FRONT VIEW

550VB3640LBB000132N

OPTION CODE: 000132

- SHELL ONLY WITH METER YOKE INSTALLED

DRFT'R	BBF	6/29/16	THIRD ANGLE PROJECTION	REF. NO.	SCALE
CHK'R					
E.O. NUMBER				STOCK No.	
Mueller Co.			DESCR.	REV.	NUMBER
			2" VAULT BY-PASS METER PIT 36" DIA X 40" DEPTH LOW LEAD BRASS	550VB3640LBB000132N	
				SHEET	OF

REV.	DESCRIPTION	REF.	DRFT'R	CHK'R	APP	DATE