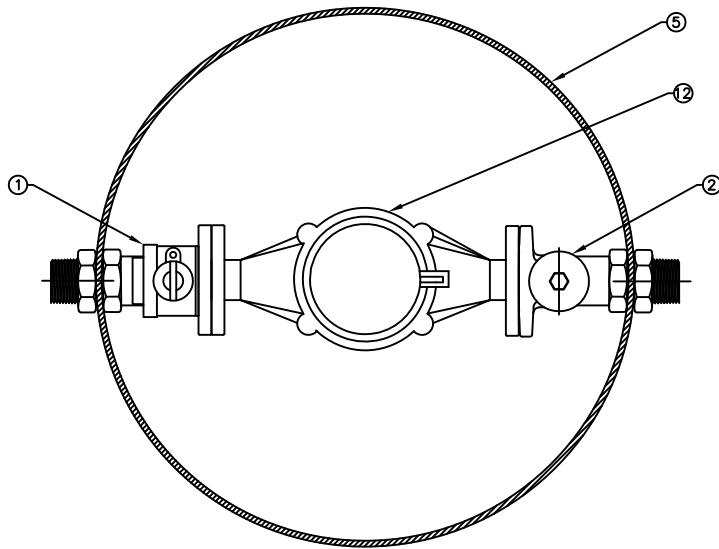
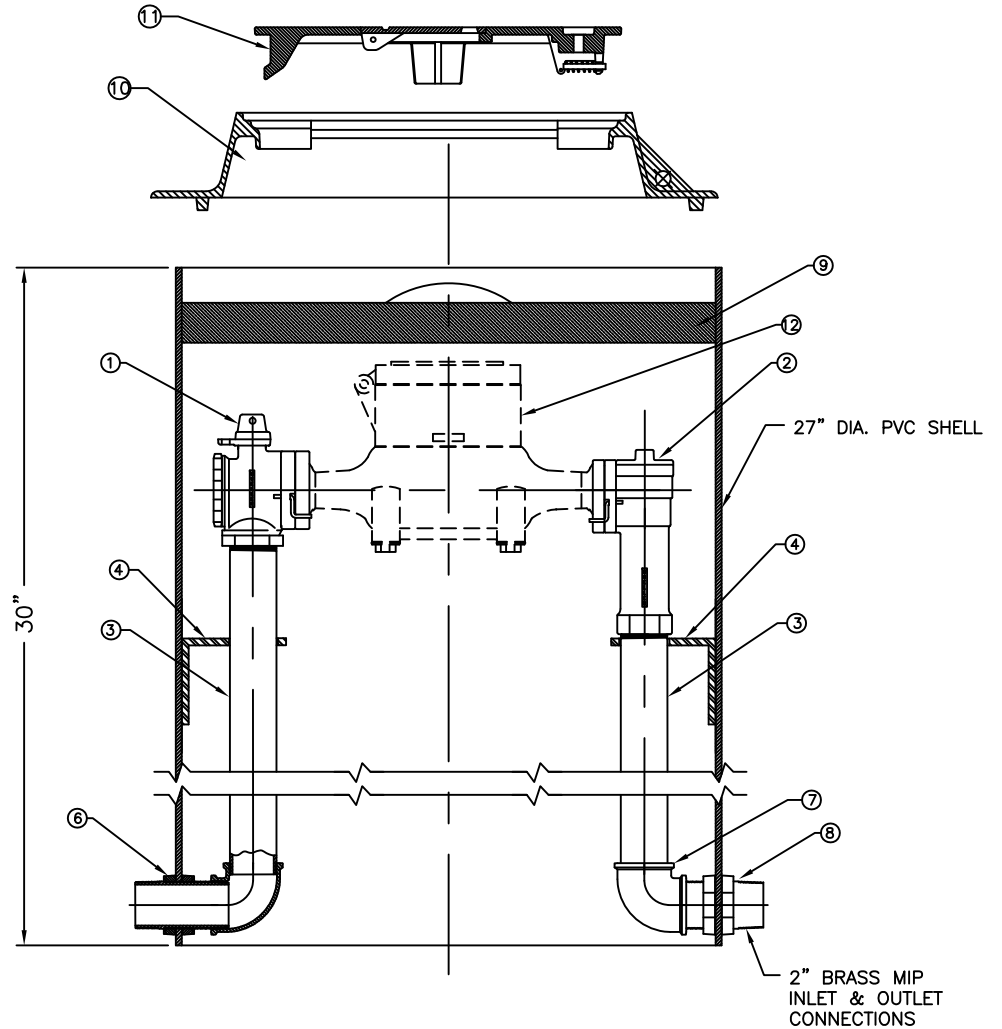


ITEM	DESCRIPTION	PART NO.	REQ'D
1	2" LOCKWING FULL PORT BALL VALVE	B2428601N	1
2	2" VERTICAL CHECK VALVE	H14460AN	1
3	RISER SUB ASSEMBLY		2
4	STABILIZING BRACKET		2
5	27" SHELL SUB-ASSEMBLY		1
6	2" HEX NUTS		4
7	2" ELBOW		2
8	2" NIPPLE		2
9	27" X 4" INSULATING PAD (OPTIONAL)	790327	----
10	CAST IRON FRAME (OPTIONAL)	700098-1	----
11	18" CAST IRON SIDE LOCKING LID (OPTIONAL)	282925	----
12	METER (NOT INCLUDED)		----

*NOTE: METER NOT INCLUDED



TOP VIEW



DRFT'R	BBF	10/18/16	THIRD ANGLE PROJECTION	REF. NO.	SCALE
CHK'R					NONE
E.O. NUMBER				STOCK No.	
Mueller Co.			DESCR. 2" VAULT SINGLE METER PIT 27" DIA X 30" DEPTH LOW LEAD BRASS	REV.	NUMBER
					550VS2730FVBN
				SHEET 1 OF 1	

550VS2730FVBN

REV.	DESCRIPTION	REF.	DRFT'R	CHK'R	APP	DATE