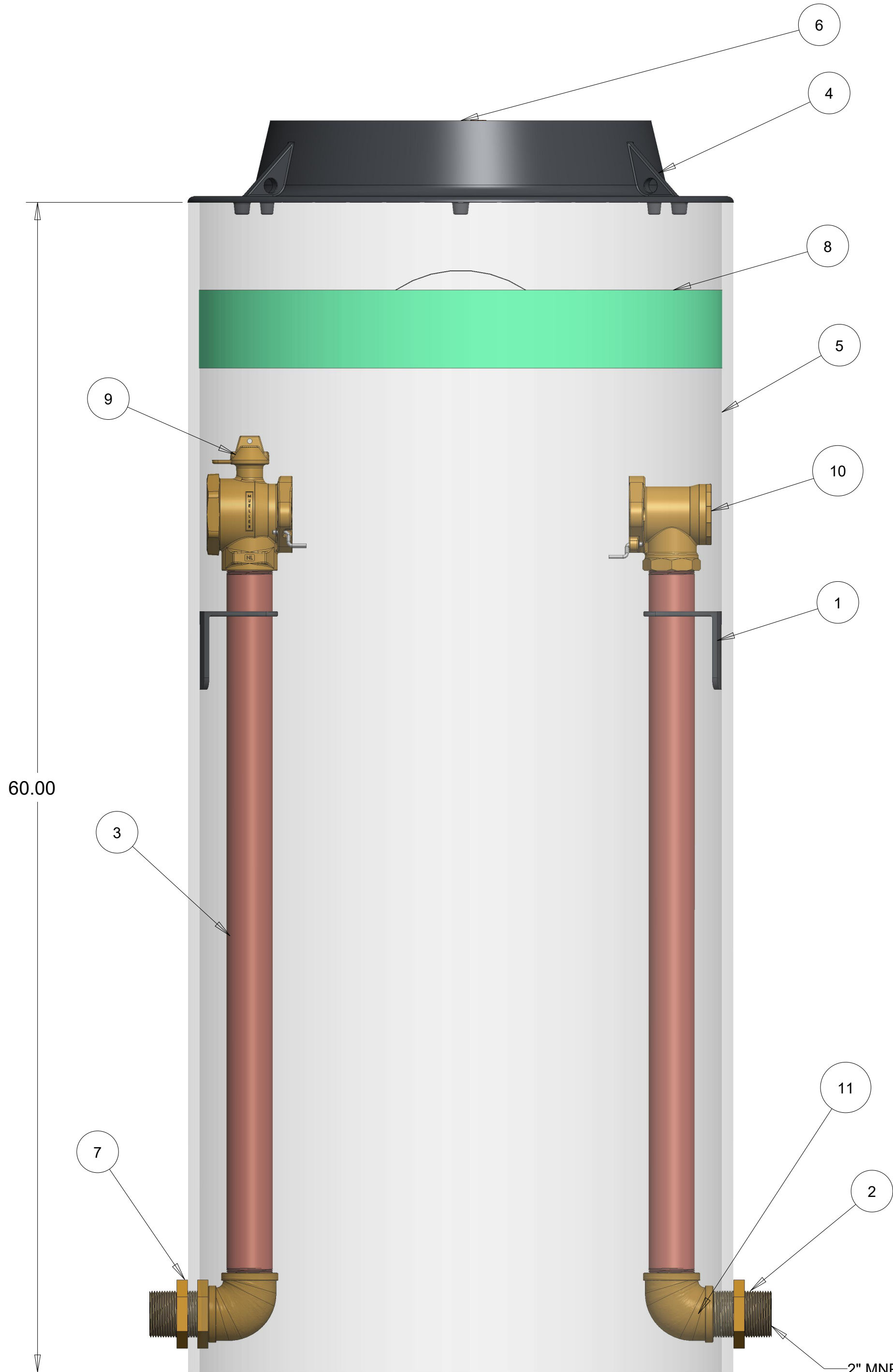
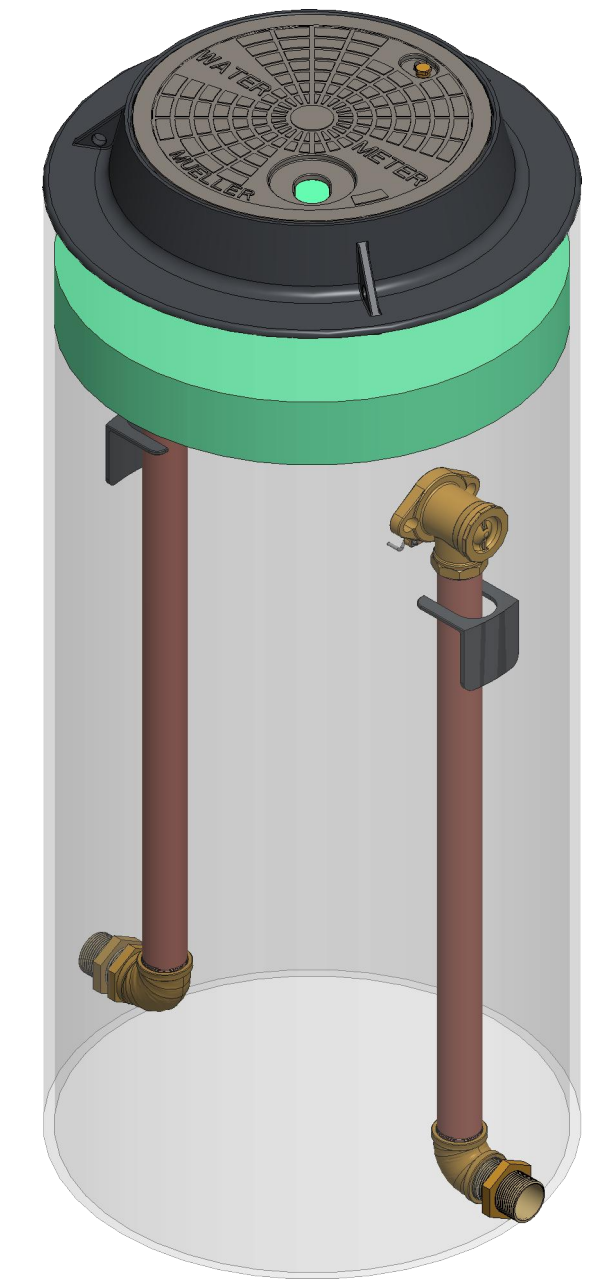
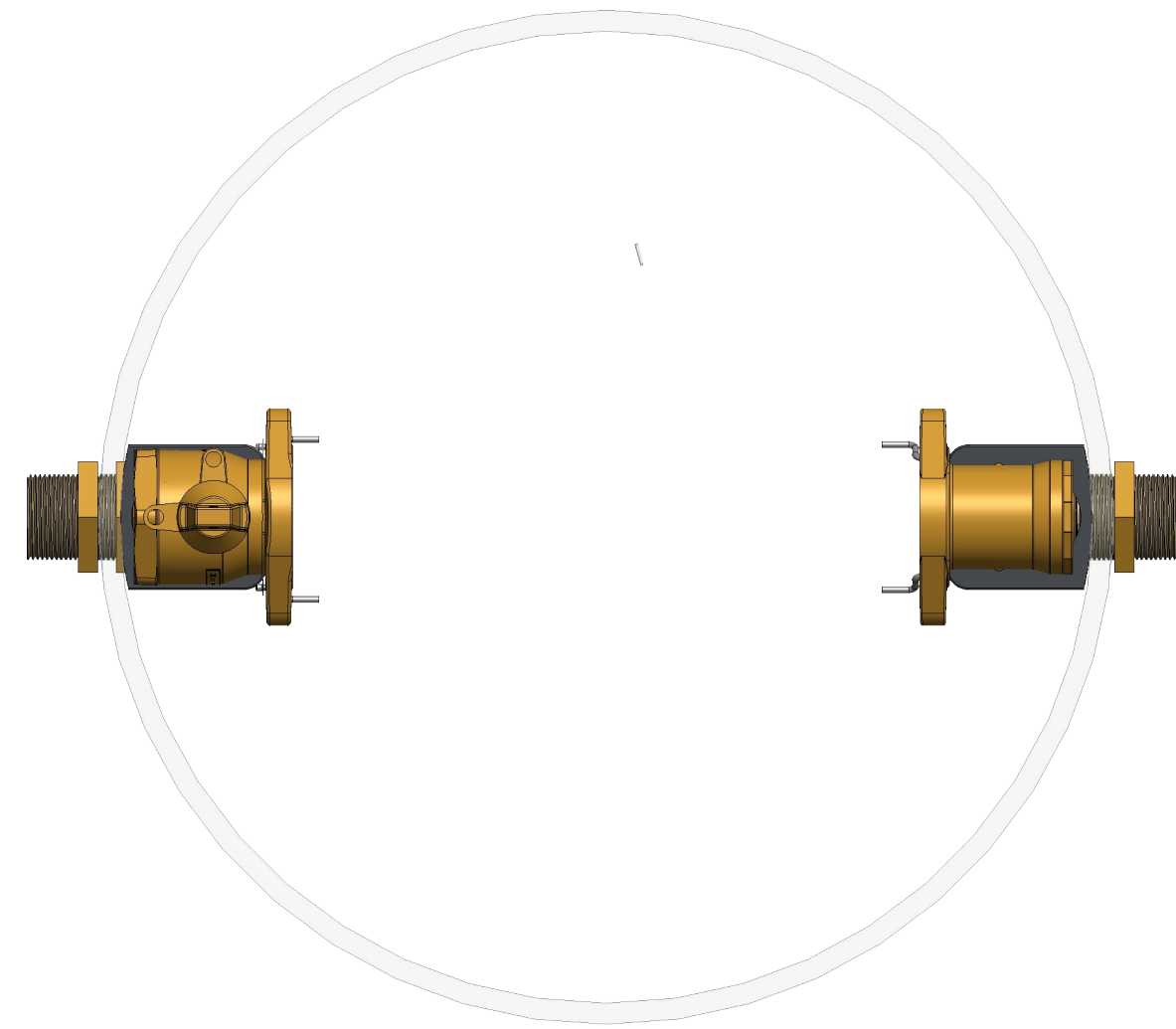


550VS2760FBBN



ITEM NO	PART NUMBER	QTY	DESCRIPTION
1	547402	2	SUPPORT BRACKET
2	700009	2	BULKHEAD NIPPLE
3	700079	2	2" BRASS NIPPLE
4	700098-1	1	CAST IRON FRAME (PURCHASED SEPARATELY)
5	780007-2760	1	SHELL SUB ASSEMBLY
6	780113	1	18" DIA CAST IRON LID W/ RECESSED TR (PURCHASED SEPARATELY)
7	790043	3	2" HEX NUT
8	790058	1	27" X 4" INSULATION PAD (PURCHASED SEPARATELY)
9	550B2428601N	1	2" FULL PORT BALL VALVE
10	550H14244N	1	2" DUAL CHECK VALVE
11	790041E	2	ELBOW



2" MNPT THREADS
INLET & OUTLET

DR. BY	BBF	1/3/18	UNLESS OTHERWISE NOTED		THIRD ANGLE PROJECTION		C.B. NO.	
CHKR			BREAK CAST CORNER(S)---					
ENGR			BREAK MACH CORNER(S)---		PURCH.	FINISH	PATT. NO.	
MGR			TOLERANCES		REF. NO.	SCALE		
MFG			UNLESS OTHERWISE NOTED			NONE		
TOOL			LINEAR	ANGULAR	STK. NO.			
FDRY			±	±				
MATL:							NUMBER 550VS2760FBBN	
			DESCR. 2" VAULT SINGLE METER PIT 27" DIA X 60" DEPTH LOW LEAD BRASS					