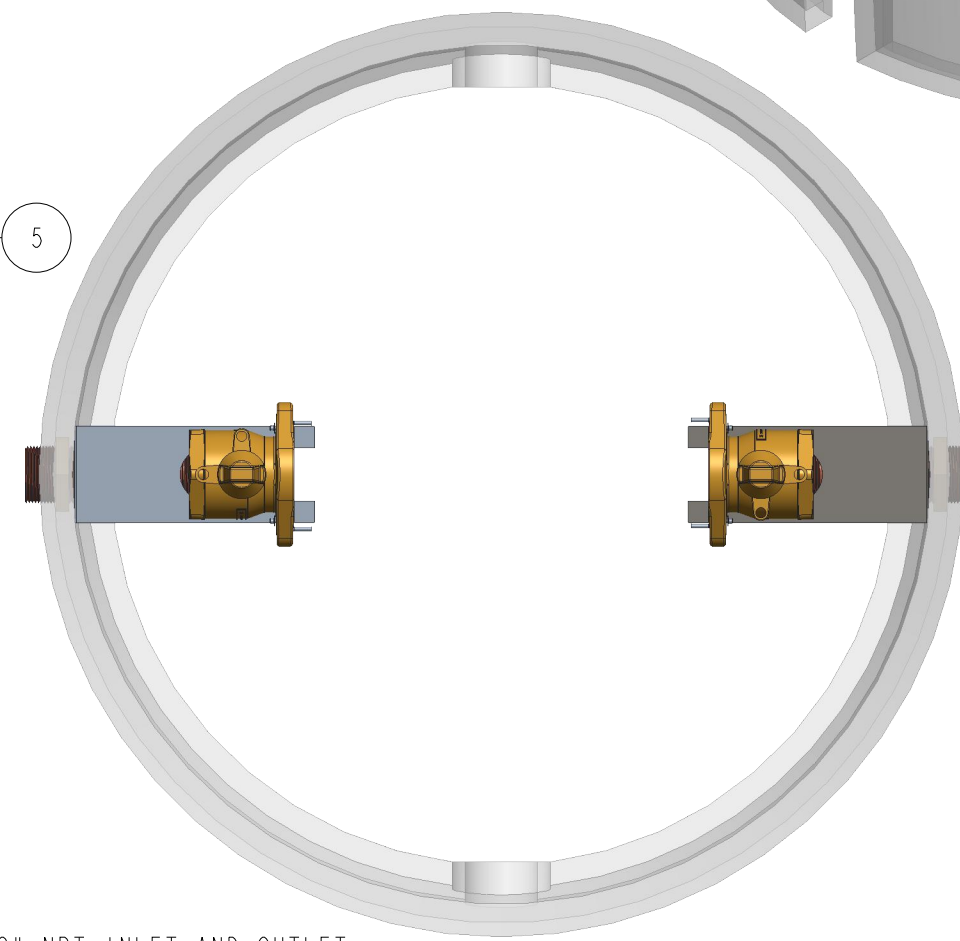
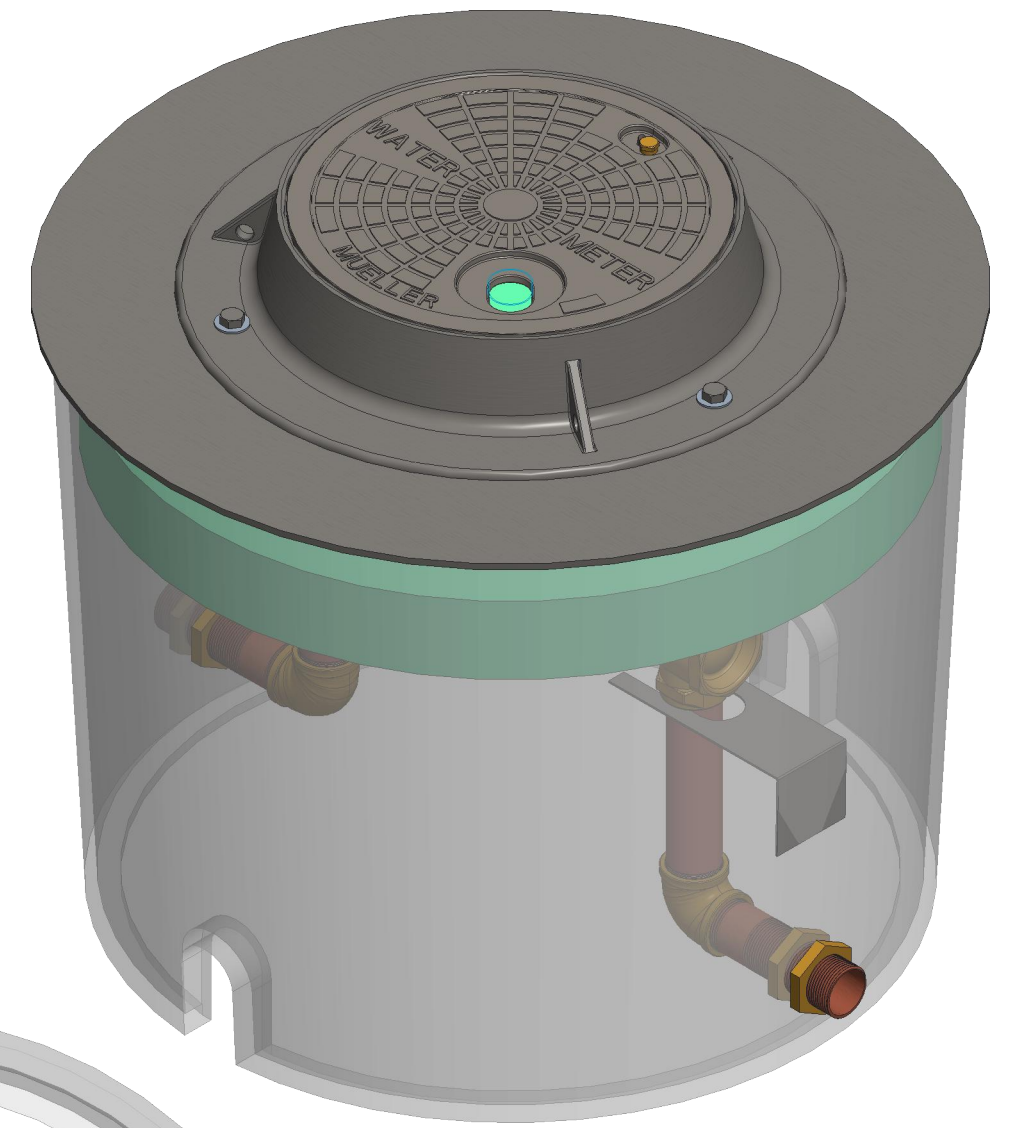
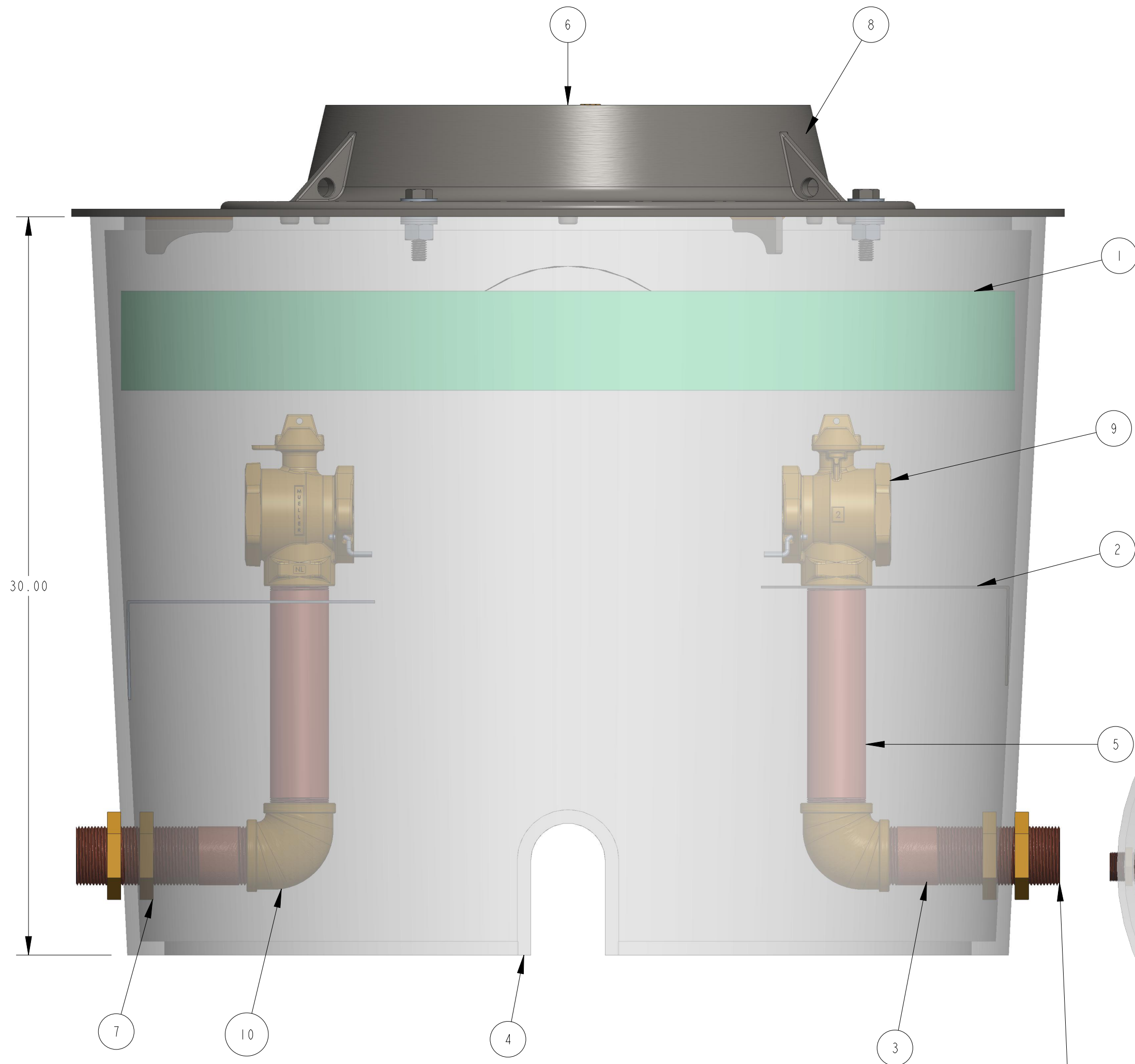


550VS3630FFBN

ITEM NO	PART NUMBER	QTY	DESCRIPTION
1	547743	1	36" INSULATION PAD (SOLD SEPERATELY)
2	548555	2	STAINLESS STEEL SUPPORT BRACKET
3	548556	2	BULKHEAD NIPPLE
4	548868	1	36" x 30" SHELL
5	550917	2	NIPPLE 2" X 10-1/4"
6	780113	1	18" DIA CAST IRON LID W/ RECESSED TR (SOLD SEPERATELY)
7	790043	4	2" HEX NUT
8	790438	1	36" EXTENSION RING W/ 18" OPENING (SOLD SEPERATELY)
9	550B242860IN	2	2" FULL PORT BALL VALVE
10	790041E	2	ELBOW



DR. BY	SLV	7/22/20	UNLESS OTHERWISE NOTED		THIRD ANGLE PROJECTION		C.B. NO.
CHKR			BREAK CAST CORNER(S)---				
ENGR			BREAK MACH CORNER(S)---		PURCH.	FINISH	PATT. NO.
MGR			TOLERANCES		REF. NO.	SCALE	
MFG			UNLESS OTHERWISE NOTED				
TOOL			LINEAR	ANGULAR			
FDRY			±	±	STR. NO.		
MAT'L:							
Mueller Co.			DESCR. 2" VAULT SINGLE METER PIT 36" DIA. X 30" DEPTH LOW LEAD BRASS			NUMBER 550VS3630FFBN	