

MUELLER 20" COVER
(ORDER SEPARATELY)

5/8" X 3/4" METER
W/ GASKETS
(BY OTHERS)

36" X 42" PIT

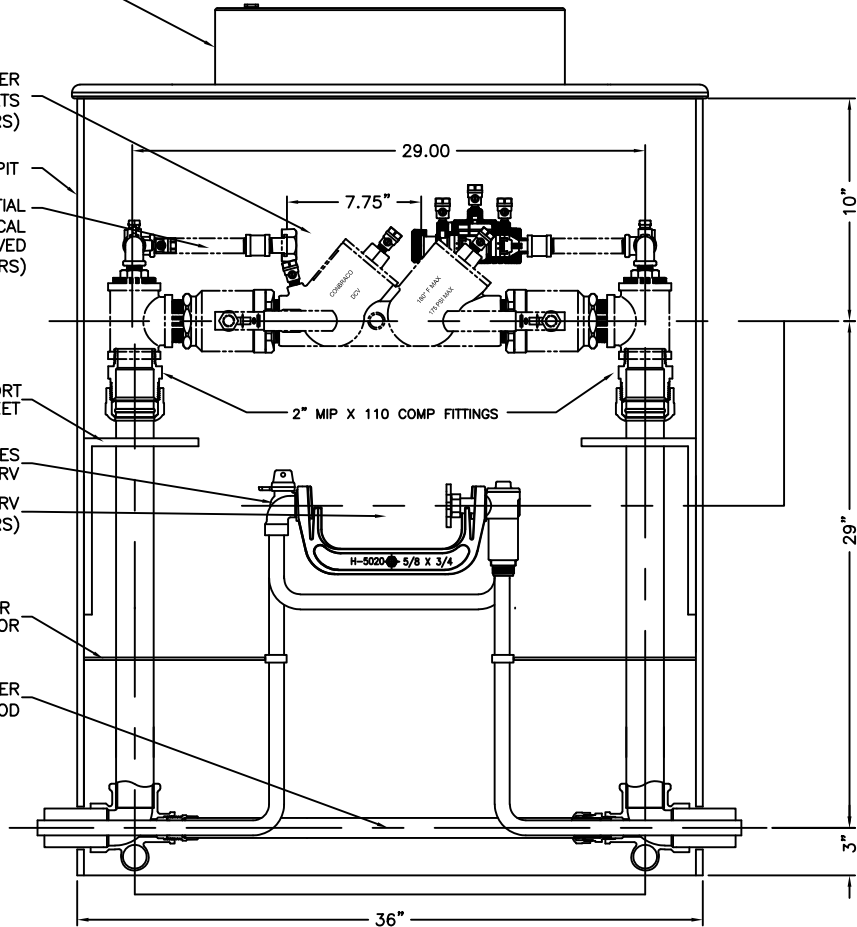
DCDA, RESIDENTIAL
2" VERTICAL
UL & FM APPROVED
(BY OTHERS)

SUPPORT
BRACKET

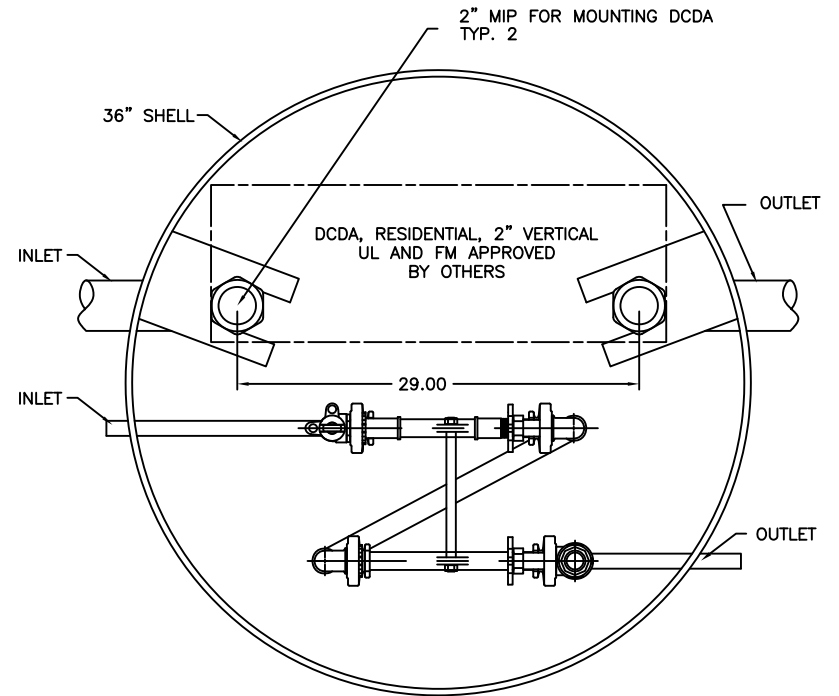
TANDEM IRON YOKES
FOR METER & PRV
METER & PRV
(BY OTHERS)

PIPE HANGER
W/ 1/2" ANCHOR

1" HARD COPPER
TUBE --1.125" OD



SIDE VIEW



TOP VIEW

NOTE: BACKFLOW NOT INCLUDED
NOTE: ALL TUBES SHALL BE TYPE K COPPER
NOTE: METER AND PRV NOT INCLUDED

550VT3642FFB000444N

REV.	DESCRIPTION	REF.	DRFT'R	CHK'R	APP	DATE

DRFT'R	BBF	4/22/19	THIRD ANGLE PROJECTION	REF. NO.	SCALE
CHK'R					NONE
E.O. NUMBER				STOCK No.	
DESCR.					
Mueller Co.			36" X 42" VAULT WITH TANDEM IRON YOKE & PROVISION FOR 2" DCDA LOW LEAD BRASS		
REV.			NUMBER		
			550VT3642FFB000444N		
SHEET 1 OF 1					