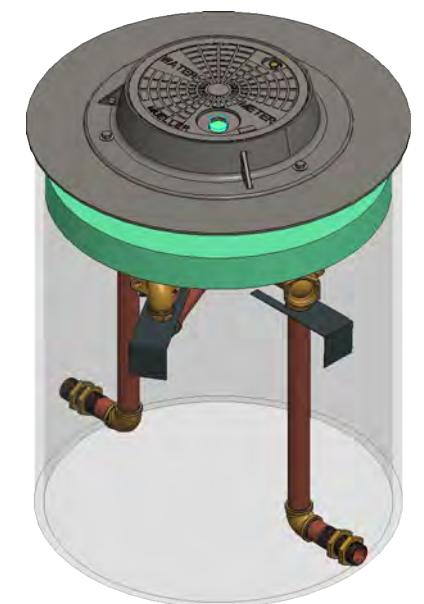
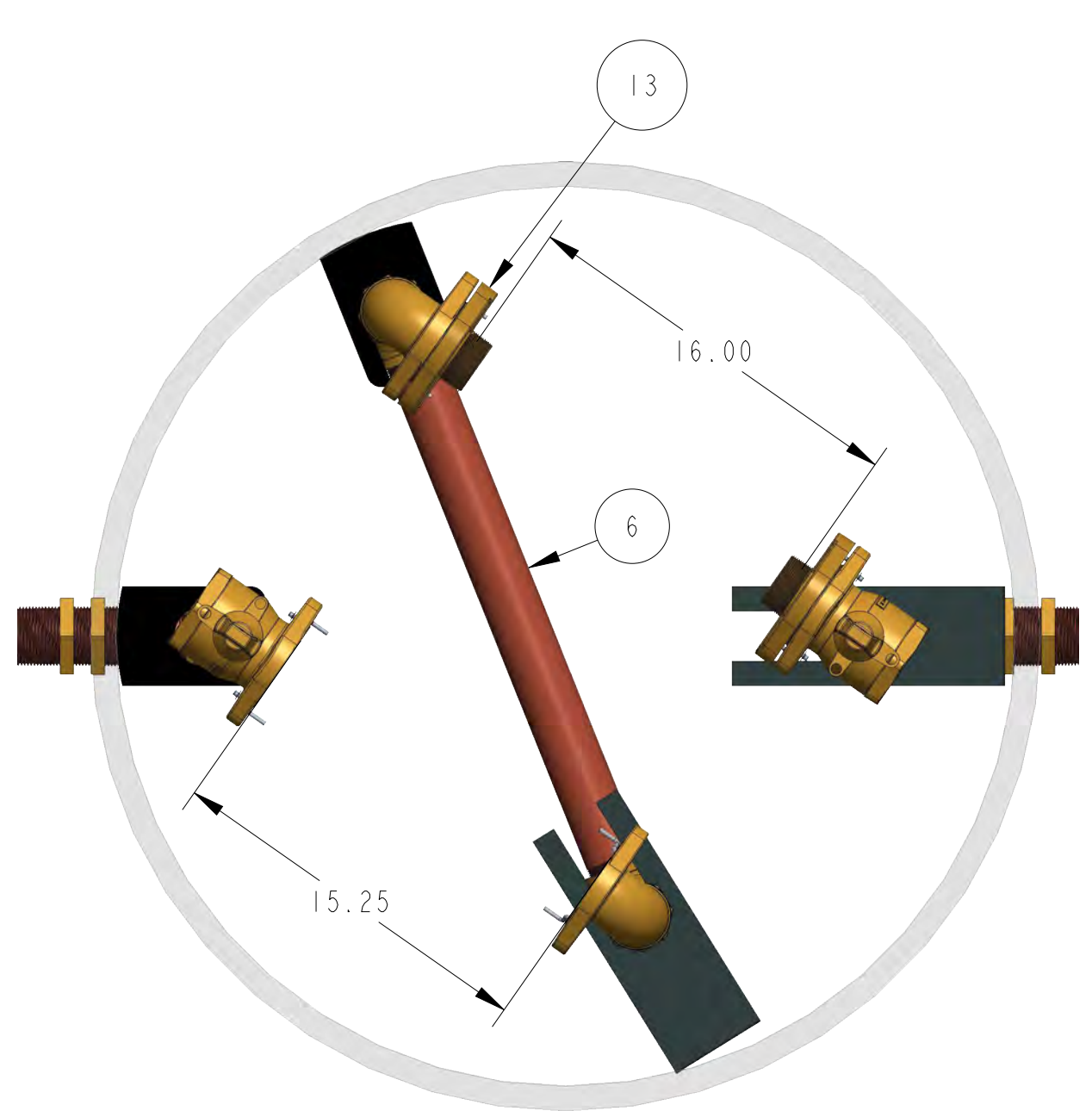
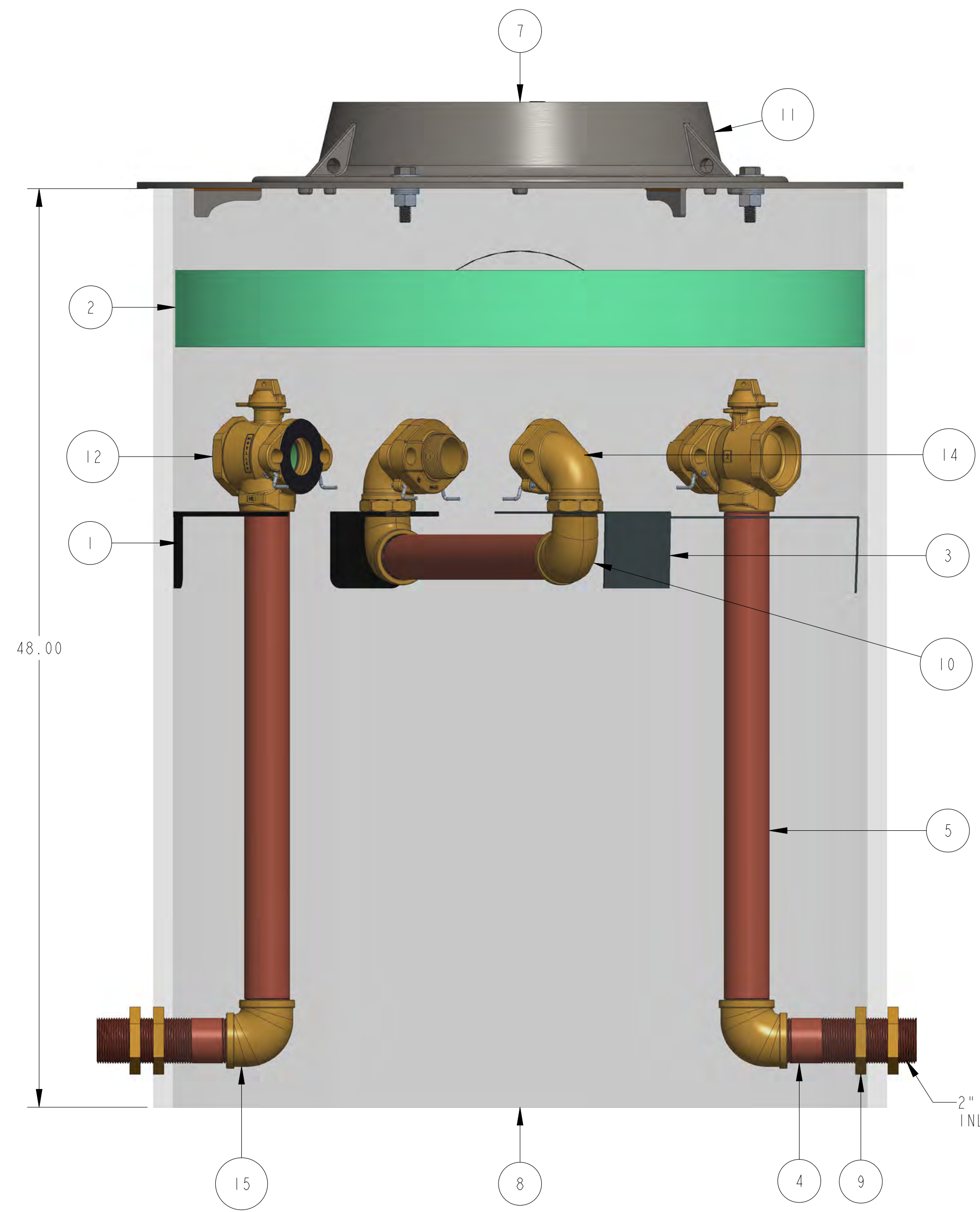


ITEM NO	PART NUMBER	QTY	DESCRIPTION
1	547405	2	SUPPORT BRACKET
2	547743	1	36" INSULATION PAD (SOLD SEPERATELY)
3	548554	2	STAINLESS STEEL SUPPORT BRACKET
4	548556	2	BULKHEAD NIPPLE
5	551952	2	THREADED PIPE
6	551988	1	THREADED PIPE
7	780113	1	18" DIA CAST IRON LID W/ RECESSED TR (SOLD SEPERATELY)
8	780181-3648	1	SHELL SUB ASSEMBLY
9	790043	4	2" HEX NUT
10	790047	2	2" STREET ELBOW
11	790438	1	36" EXTENSION RING W/ 18" OPENING (SOLD SEPERATELY)
12	550B2428601N	2	2" FULL PORT BALL VALVE
13	550H10129MN	2	2" MALE METER FLANGE
14	550H14204N	2	2" METER COUPLING
15	790041E	2	ELBOW



2" NPT THREADS
INLET AND OUTLET

OPTION CODE 447:
*TANDEM FOR WILKINS 360XL DOUBLE CHECK

DR. BY	AOD	10/5/22	UNLESS OTHERWISE NOTED	THIRD ANGLE PROJECTION	C.B. NO.
CHKR			BREAK CAST CORNER(S)---		
ENGR			BREAK MACH CORNER(S)---	PURCH.	FINISH
MGR			TOLERANCES	REF. NO.	PATT. NO.
MFG			UNLESS OTHERWISE NOTED	SCALE	
TOOL			LINEAR	ANGULAR	
FDRY			±	±	STR. NO.

MUELLER DESCR. 2" VAULT TANDEM METER PIT 36" DIA X 48" HEIGHT LOW LEAD BRASS NUMBER 550VT3648FFB000447N