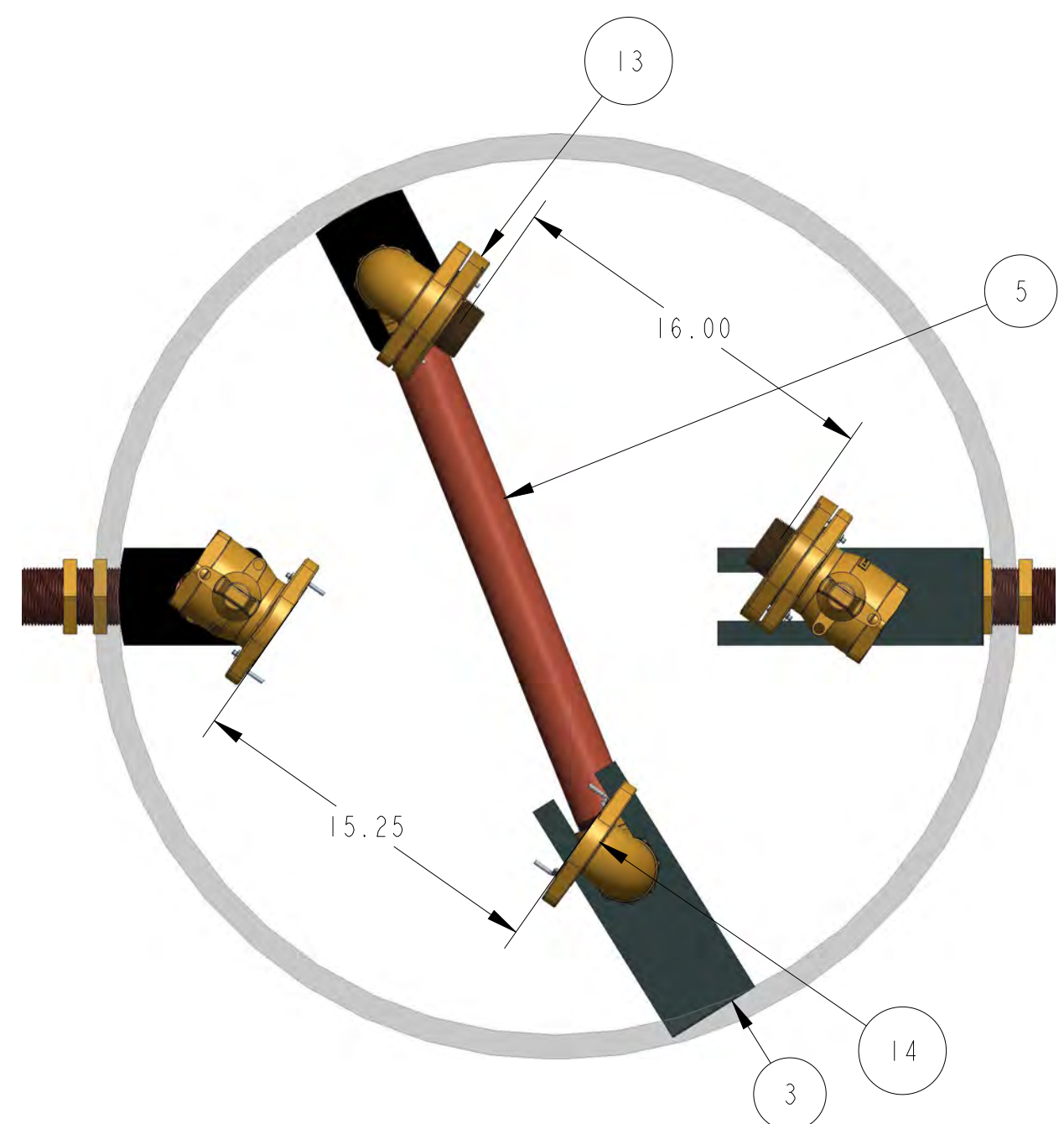


ITEM NO	PART NUMBER	QTY	DESCRIPTION
1	547405	2	SUPPORT BRACKET
2	547743	1	36" INSULATION PAD (SOLD SEPERATELY)
3	548554	2	STAINLESS STEEL SUPPORT BRACKET
4	548556	2	BULKHEAD NIPPLE
5	551988	1	THREADED PIPE
6	700079	2	2" THREADED PIPE
7	780113	1	18" DIA CAST IRON LID W/ RECESSED TR (SOLD SEPERATELY)
8	780181-3660	1	SHELL SUB ASSEMBLY
9	790043	4	2" HEX NUT
10	790047	2	2" STREET ELBOW
11	790438	1	36" EXTENSION RING W/ 18" OPENING (SOLD SEPERATELY)
12	550B242860IN	2	2" FULL PORT BALL VALVE
13	550H10129MN	2	2" MALE METER FLANGE
14	550H14204N	2	2" METER COUPLING
15	790041E	2	ELBOW



OPTION CODE 447:  
 \*TANDEM FOR WILKINS 350XL DOUBLE CHECK  
 \*ADD SPUDS

2" MNPT THREADS  
 INLET AND OUTLET

DR. BY	AOD	UNLESS OTHERWISE NOTED	THIRD ANGLE PROJECTION	C.B. NO.
CHKR		BREAK CAST CORNER(S)---		
ENGR		BREAK MACH CORNER(S)---	PURCH.	FINISH
MGR		TOLERANCES	REF. NO.	SCALE
MFG		UNLESS OTHERWISE NOTED	STR. NO.	
TOOL		LINEAR	ANGULAR	
FDRY		±	±	
MAT'L:				
<b>MUELLER</b>		DESCR. 2" VAULT TANDEM METER PIT 36" DIA X 60" DEPTH LOW LEAD BRASS		NUMBER 550VT3660FFB000447N