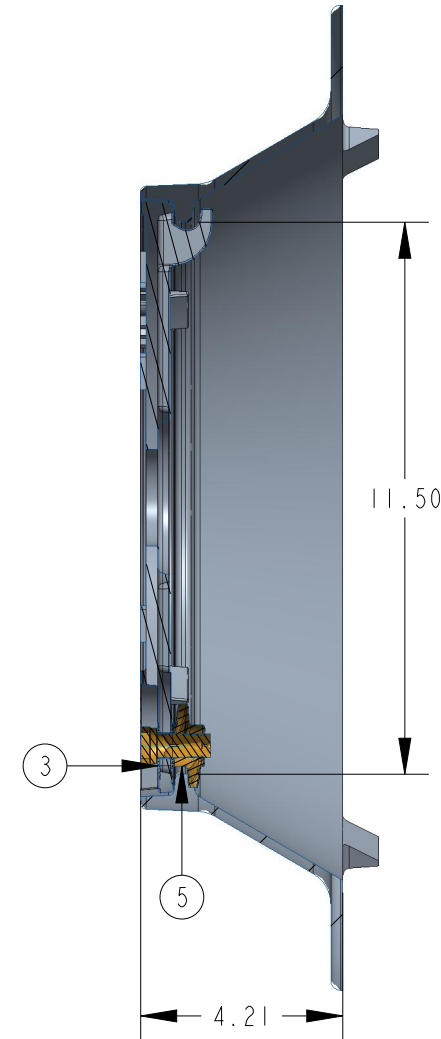
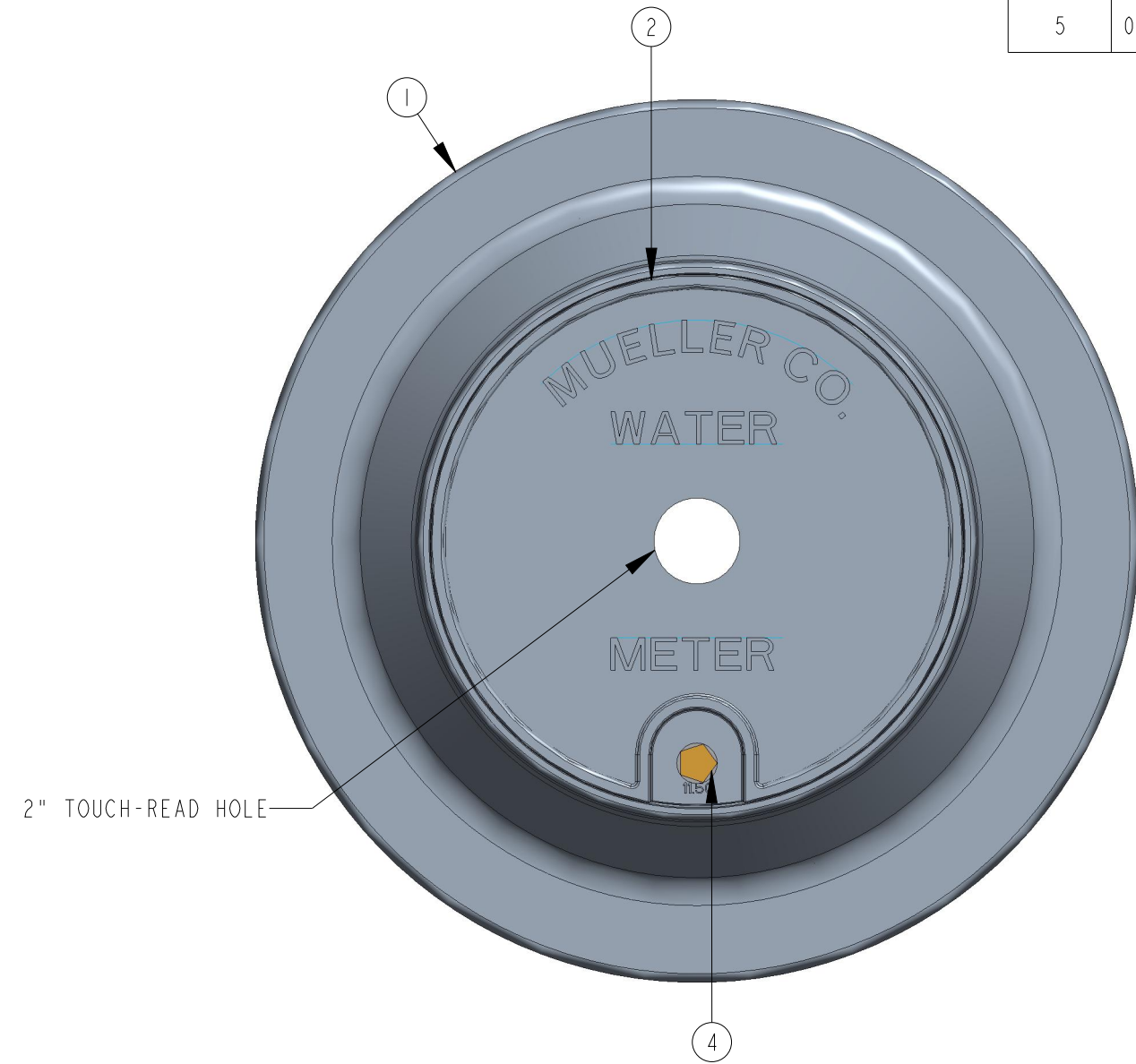


ITEM NO	PART NUMBER	QTY	DESCRIPTION	MATERIAL
1	528025-1	1	RIM CASTING	CAST IRON ASTM A126 CLASS B
2	527293-1	1	LID CASTING	CAST IRON ASTM A126 CLASS B
3	058520	2	WASHER	YELLOW SHEET BRASS
4	508667	1	PENTAGON PIN	SILICON BRONZE ASTM B98 ALLOY C655 OR C661 H04 TEMPER
5	048446-A	1	SPIRAL	LEAD FREE BRASS ALLOY ASTM B584 C89833/C87850



693H1081709

DR. BY	AOD	3/09/22	UNLESS OTHERWISE NOTED	THIRD ANGLE PROJECTION	C.B. NO.
CHKR			BREAK CAST CORNER(S)---		
ENGR			BREAK MACH CORNER(S)---	PURCH.	PATT. NO.
MGR			TOLERANCES	FINISH	
MFG			UNLESS OTHERWISE NOTED	REF. NO.	SCALE
TOOL			LINEAR		NONE
FDRY			±	ANGULAR	STK. NO.
MAT'L:					
<b>MUELLER</b>		DESCR.	18"X11-1/2" METER BOX COVER 4" DEPTH W/RECESSED LID STANDARD WATERWORKS PEN. SINGLE HOLE FOR TOUCH READER	NUMBER	693H1081709