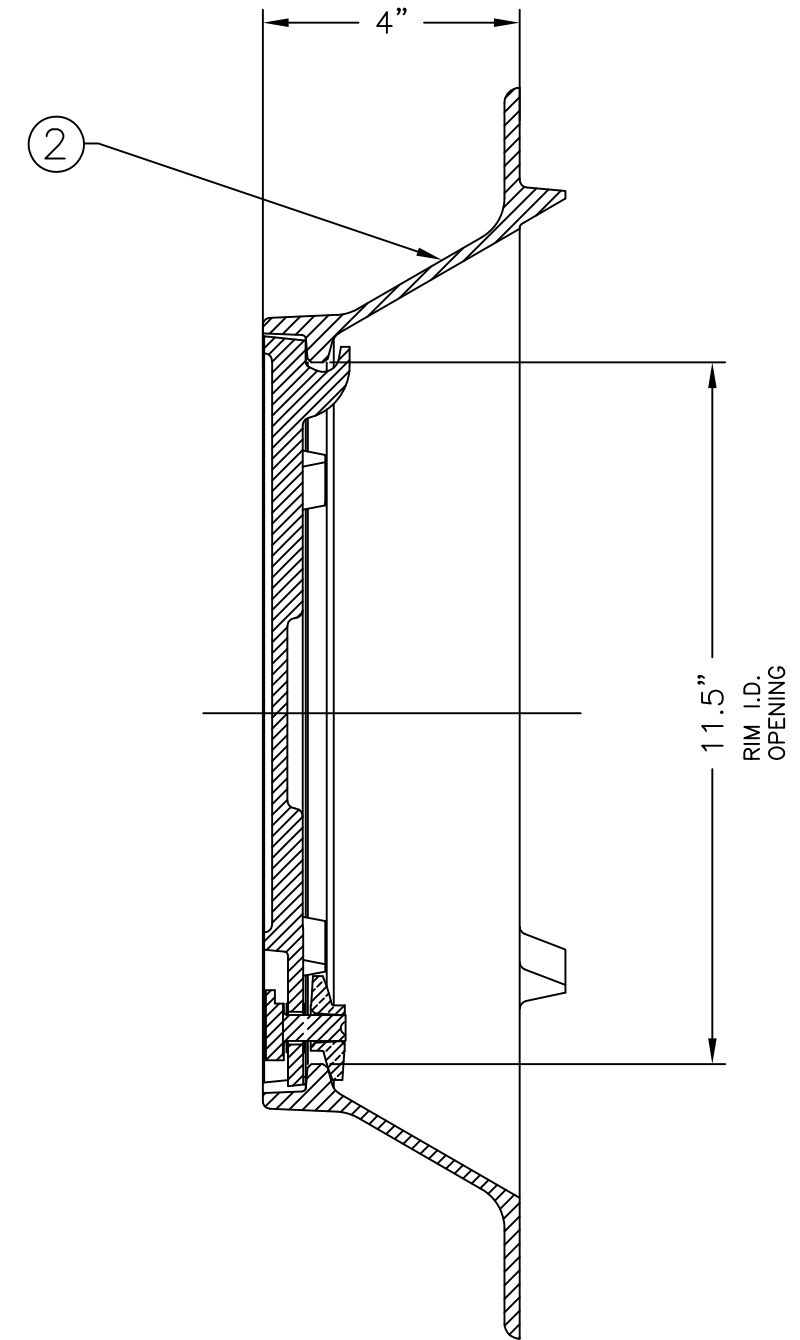
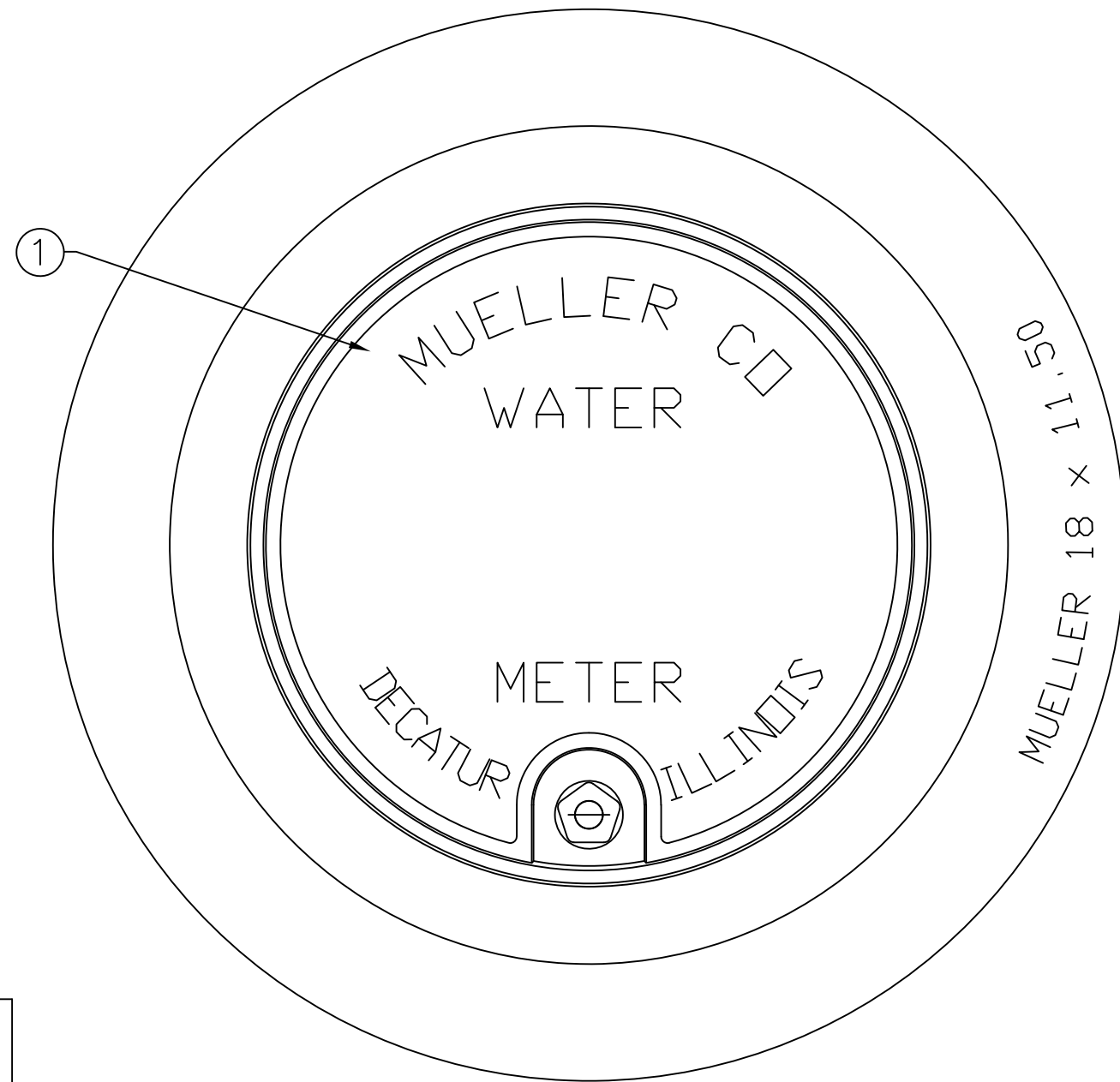


ITEM	DESCRIPTION	PART NO.	REQ'D
1	LID SUB ASSEMBLY	682006	1
2	RIM CASTING	528025-1	1



693H10817

DRFT'R	BBF	3/29/18	THIRD ANGLE PROJECTION	REF. NO.	SCALE
CHK'R					NONE
E.O. NUMBER				STOCK No.	
			DESCR. 18" X 11-1/2" METER BOX COVER 4" DEPTH W/ RECESSED LID STANDARD WATERWORKS PENT	REV.	NUMBER
					693H10817
				SHEET 1 OF 1	

REV.	DESCRIPTION	REF.	DRFT'R	CHK'R	APP	DATE