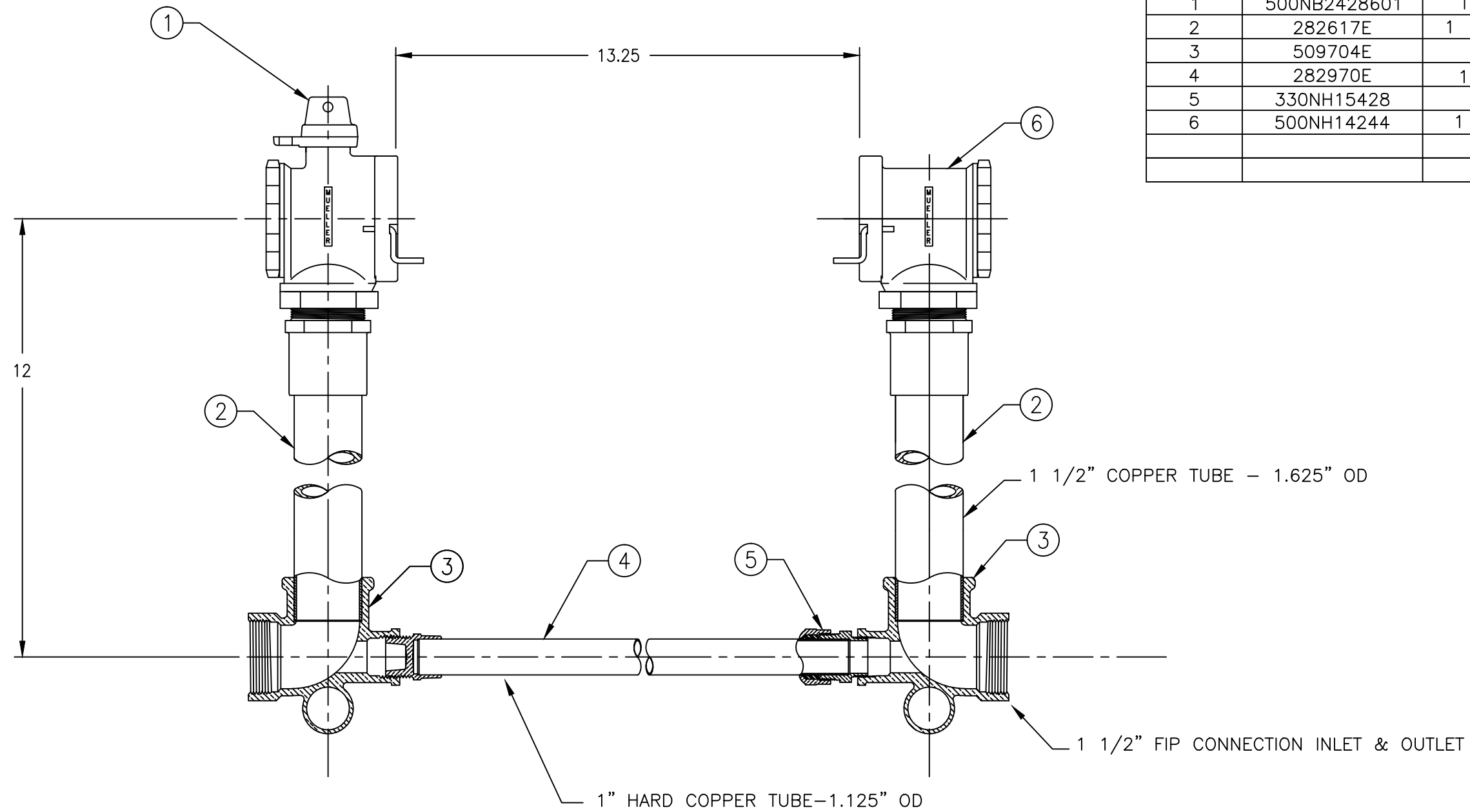


ITEM	PART NO.	DESCRIPTION	QTY.
1	500NB2428601	1 1/2" ANGLE BALL VALVE	2
2	282617E	1 1/2" RISER SUB ASSEMBLY	2
3	509704E	TEE	2
4	282970E	1" TIE BAR SUB ASSEMBLY	1
5	330NH15428	1" SERVICE FITTING	1
6	500NH14244	1 1/2" DUAL ANGLE CHECK	1



A/C (MILLIMETER) INCH		TOLERANCES - MACHINING UNLESS OTHERWISE NOTED		THIRD ANGLE PROJECTION	
INITIAL RELEASE		BREAK EDGES MACH. .006/.016		PURCH. FINISH	
DRFT'R	JCJ	5-31-11	FINISH SURFACES 125		REF. NO.
CHK'R			FRACTIONS ±1/64		SCALE NONE
APP			DECIMALS 2 PL ±.025 3 PL ±.005		STK. NO.
E.O. NUMBER		ANGLES ±1°			
Mueller Co.		MAT'L. DESCR. 1 1/2 X 12 COPPER METER YOKE HORIZONTAL INLET & OUTLET LOW LEAD (FOR 1 1/2" FLANGED METERS)		REVISION NUMBER 695B2422--2---N	

ECO: 1564473

695B2422--2---N

REV.	DESCRIPTION	REF.	DRFT'R	CHK'R	APP	DATE