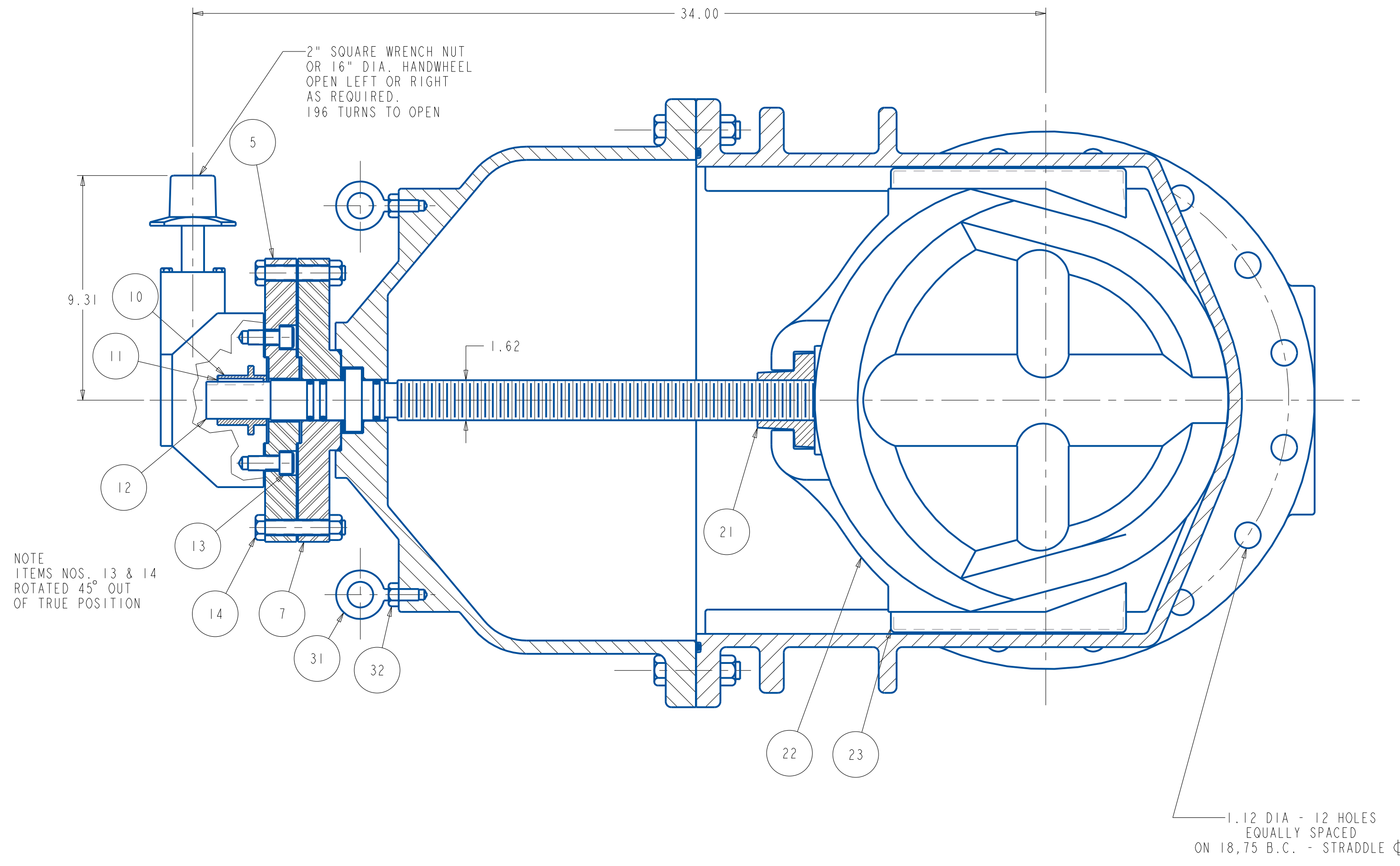
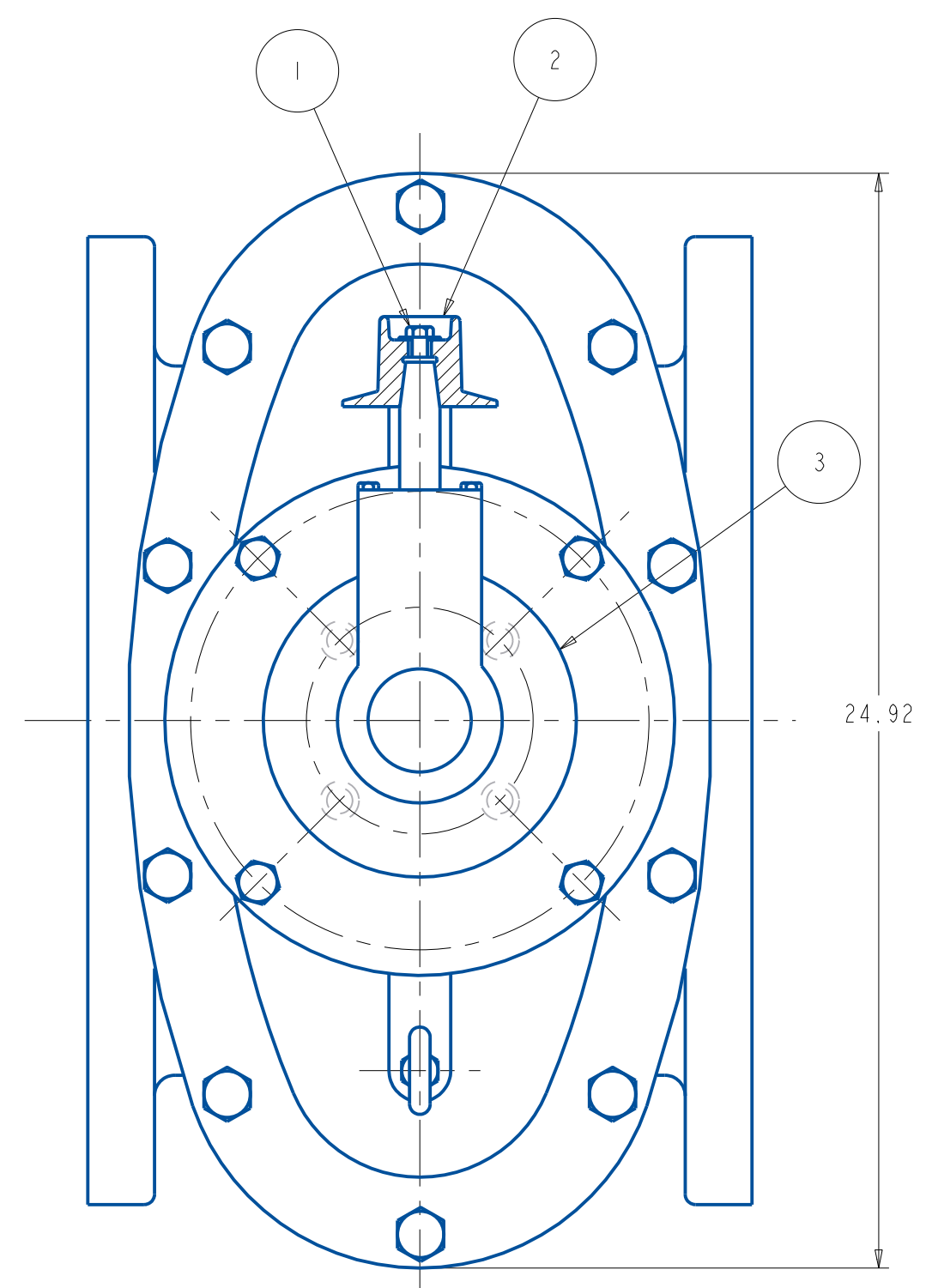
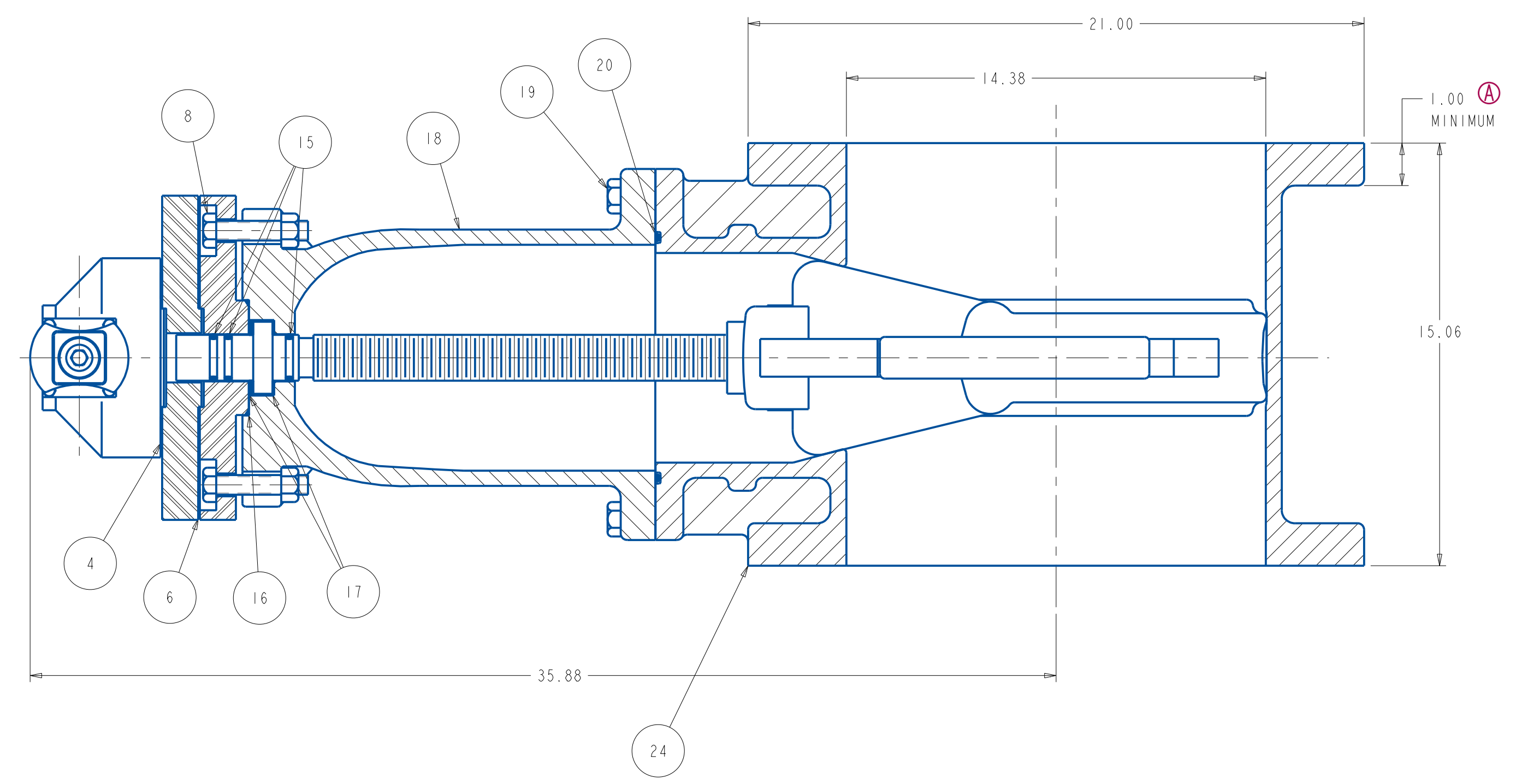
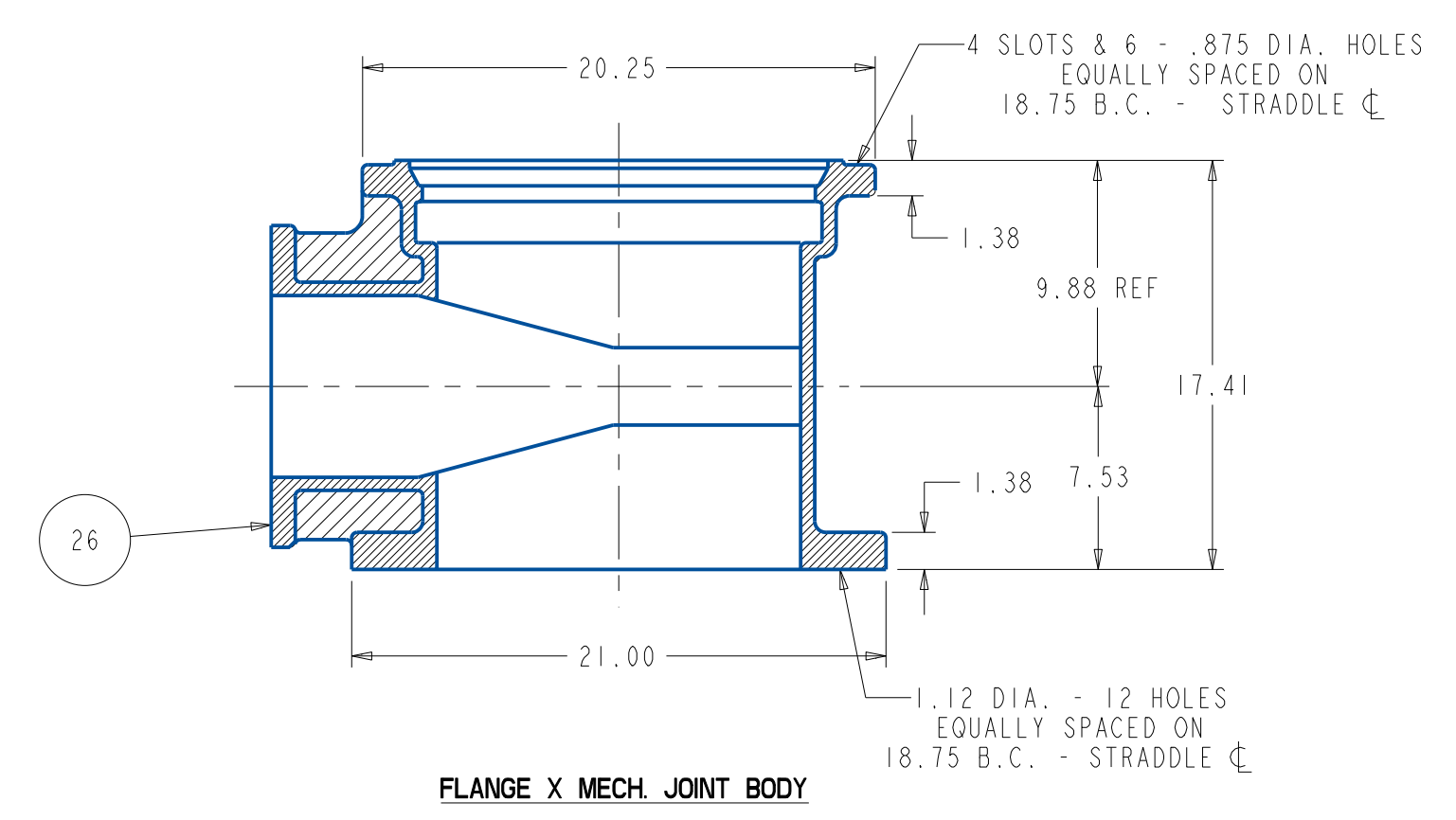
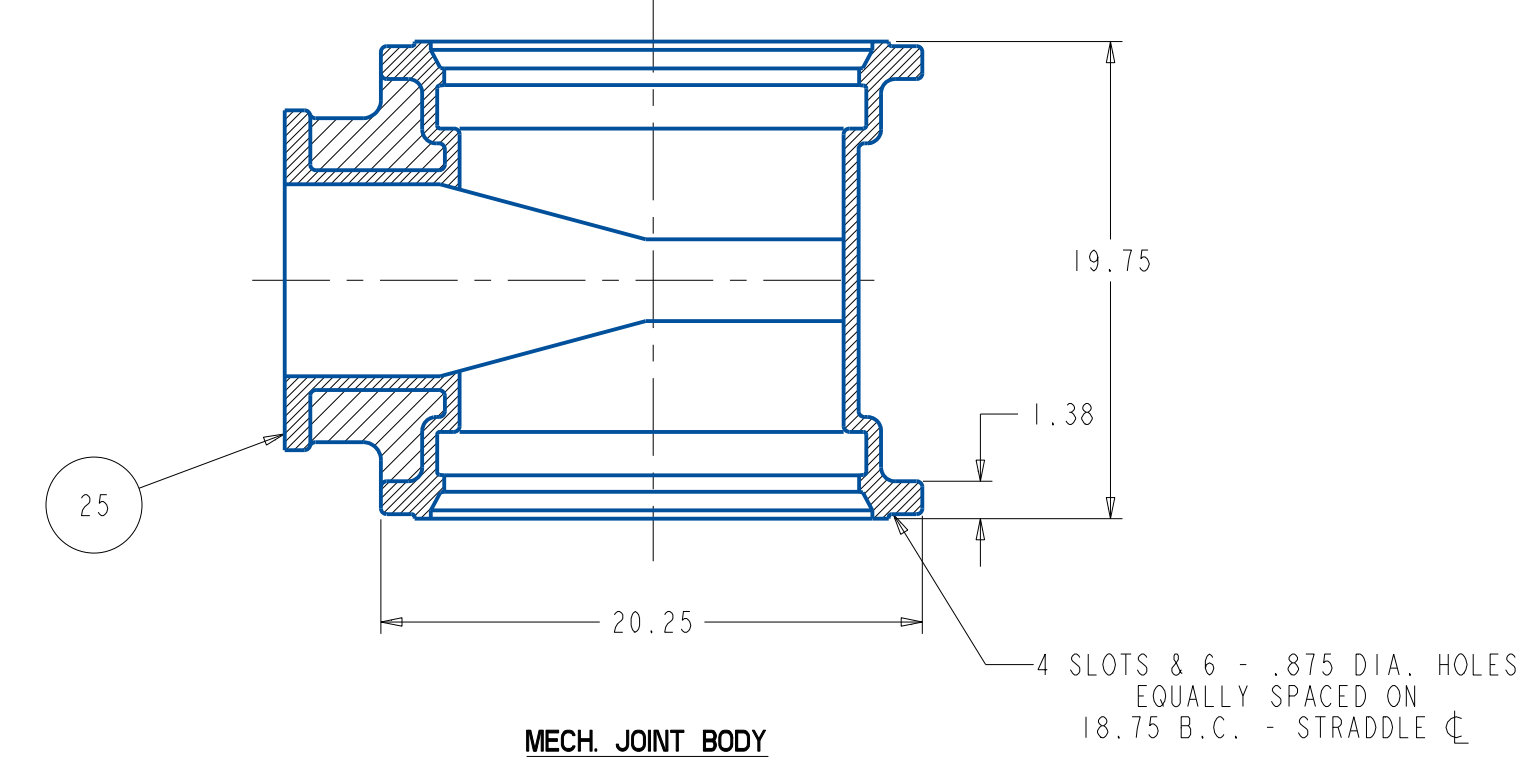


7300 4" A2361 RESILIENT WEDGE GATE VALVE - FLANGE X FLANGE ENDS - MECH. JOINT ENDS WITHOUT GEARING



NOTE
ITEMS NOS. 13 & 14
ROTATED 45° OUT
OF TRUE POSITION



PARTS LIST - GEARED VALVE					
ITEM	DESCRIPTION	REQ'D	MATERIAL	ASTM	
1	CAP SCREW	1	316 SS	F593	GROUP 2-CW
2	WRENCH NUT	1	DUCTILE IRON	A536	
3	VALVE ACTUATOR	1			
4	ACTUATOR GASKET	1	SBR	D2000	
5	ADAPTER	1	STEEL	A36	
6	STUFFING BOX GASKET	1	SBR	D2000	
7	STUFFING BOX	1	STEEL	A36	
8	HEX HEAD BOLT & NUT	2	316 SS	F593 F594	GROUP 2-CW
10	DRIVE SLEEVE	1	*		
11	KEY	1	STEEL		
12	STEM	1	BRONZE	B138	ALLOY C67600 H04
13	SOCKET HD. CAP SCREW	4	316 SS	F593	GROUP 2-CW
14	HEX HEAD BOLT & NUT	4	316 SS	F593 F594	GROUP 2-CW
15	"O" RING	3	SBR	D2000	MUELLER R34
16	"O" RING	1	SBR	D2000	MUELLER R34
17	ANTI-FRICTION WASHER	2	BRASS		
18	BONNET	1	DUCTILE IRON	A536	
19	HEX BOLT HEX NUT	10 10	316 SS	F593 F594	GROUP 2-CW
20	"O" RING	1	SBR	D2000	MUELLER R34
21	DISC NUT	1	BRONZE	B62	
22	DISC	1	***		
23	GUIDE CAP	2	ACETAL		
24	FLG X FLG BODY	1	DUCTILE IRON	A536	
25	MJ X MJ BODY	1	DUCTILE IRON	A536	
26	FLG X MJ BODY	1	DUCTILE IRON	A536	
31	EYE BOLT	2	STEEL		ANSI B18.15
32	HEX NUT	2	STEEL	A307	ANSI B18.15

* SUPPLIED W/ACTUATOR BUT FINISHED BY MUELLER CO.

** ASTM B138 ALLOY 675

*** RUBBER ENCAPSULATED DUCTILE IRON DISC
DUCTILE IRON - ASTM A536 (65-45-12 OR 70-50-05)
RUBBER - MUELLER RUBBER SPEC R88

DR BY	AO	4/14/16	UNLESS OTHERWISE NOTED	THIRD ANGLE PROJECTION	C.D. NO.
CHKD	BB	4/14/16	BREAK CAST CORNERS!		PART. NO.
ENGR	JWB	4/14/16	BREAK MACH CORNERS!		
MFR			TOLERANCES	PURCH. NO.	FINISH
MFG			UNLESS OTHERWISE NOTED	REF. NO.	SCALE
TOOL			LINER ±	ANGULAR ±	NONE
FBY				STR. NO.	
MAT'L NOTED			DESCR. 14" RWGV FLG. ENDS FLG. X M. J. ENDS, & M. J. X M. J. ENDS W/ BEVEL GEARING		
					NUMBER 7300

ECO 2432211
1.00 MINIMUM
WAS 1.38
AO 8/1/19

APPROVED
By Matt Sliger at 8:39 am, Aug 13, 2019