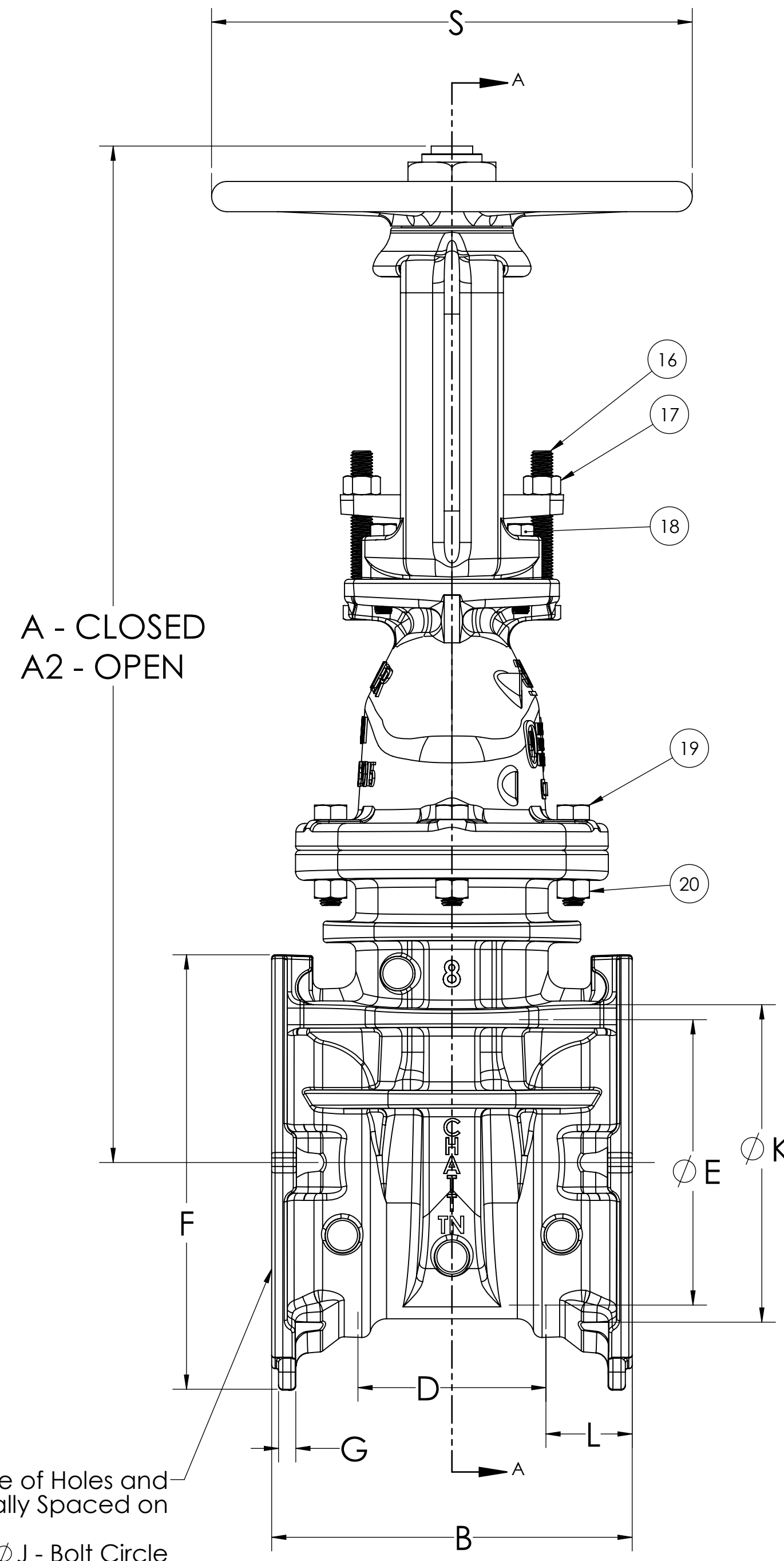
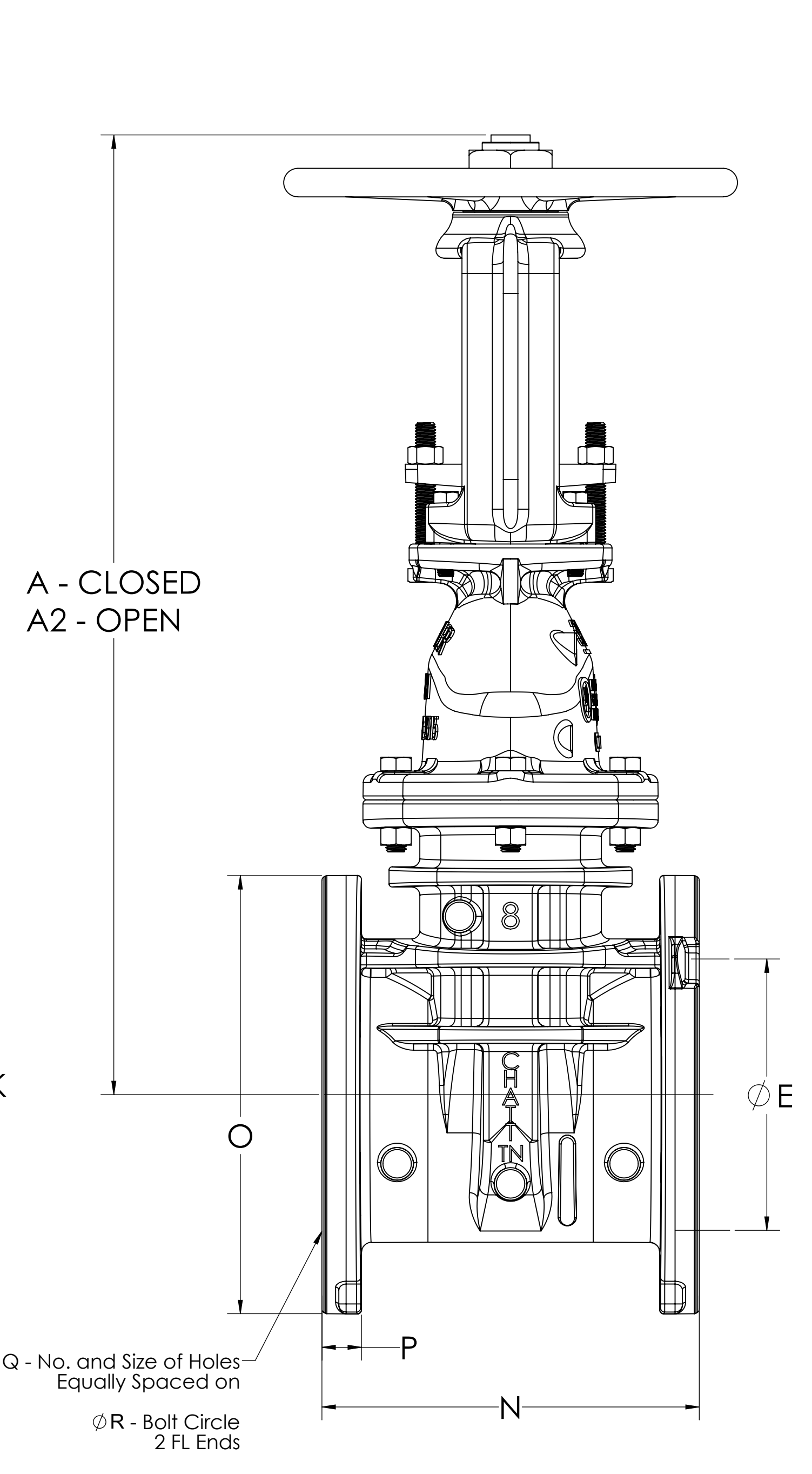


SECTION A-A - TYPICAL



MECH JOINT ENDS - MJ x MJ

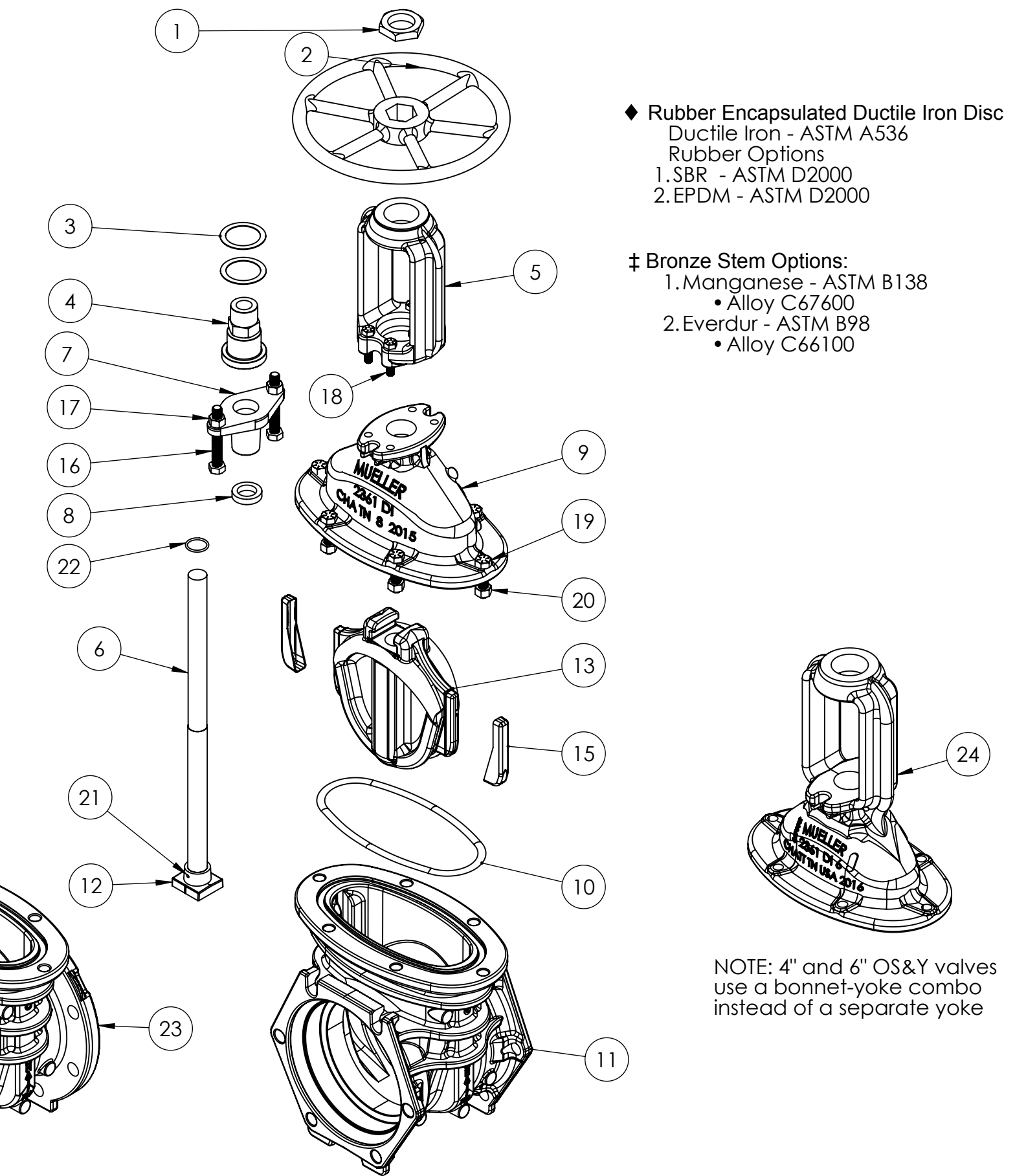


FLANGE ENDS - FL x FL

H - No. and Size of Holes and Slots Equally Spaced on
 ϕ J - Bolt Circle 2 MJ Ends

Q - No. and Size of Holes Equally Spaced on
 ϕ R - Bolt Circle 2 FL Ends

ITEM NO.	DESCRIPTION	B. QTY.	MATERIAL	ASTM	NOTES
1	Cap Nut	1	Bronze	B62	Alloy C83600
2	Hand Wheel	1	Ductile Iron	A536	
3	Washer	2	Bronze		
4	Bush Nut	1	Bronze	B584	Alloy C84400
5	Yoke	1	Ductile Iron	A536	
6	Stem	1	Bronze	‡	See Note
7	Gland Flange	1	Ductile Iron	A536	
8	Stem Packing	"T"	Lub. Flax		FED HH-P-106
9	Bonnet	1	Ductile Iron	A536	
10	Bonnet O-ring	1	Nitrile Rubber		R34
11	Body MJ Ends	1	Ductile Iron	A536	
12	Stem Nut	1	Bronze	B584	C89833 / NSF 372
13	Encapsulated Disc	1	◆	D2000	See Note
14	Disc Casting	1	Ductile Iron	A536	
15	Guide Cap	2	Acetal		
16	Gland Bolt	2	316 Stainless Steel	F593	Group 2 - SH
17	Gland Nut	2	Bronze	B584	
18	Cap Screw	4	316 Stainless Steel	F593	Group 2 - SH
19	Bonnet bolts	"M"	316 Stainless Steel	F593	Group 2 - SH
20	Bonnet nuts	"M"	316 Stainless Steel	F594	Group 2 - CW
21	Pin	1	304 Stainless Steel		
22	O-ring	1	Nitrile Rubber		R34
23	Body FL Ends		Ductile Iron	A536	
24	Bonnet-yoke Combo		Ductile Iron	A536	



NOTE: 4" and 6" OS&Y valves use a bonnet-yoke combo instead of a separate yoke

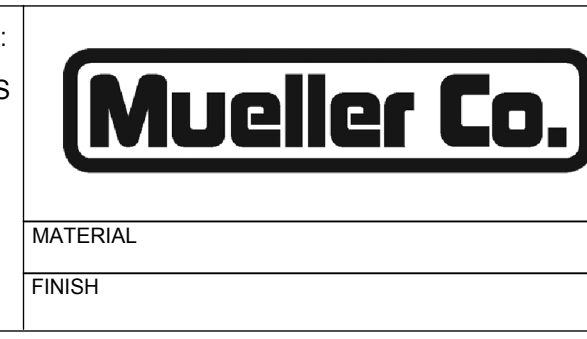
APPROVED
 By Matthew Sliger at 11:23 am, Aug 04, 2017

ECO# 1821433

Valve Size	A	A2	B	C	D	ϕ E (Thru ϕ)	F	G	H	ϕ J (Bolt Circle ϕ)	ϕ K	L	M	N	O	P	Q	ϕ R (Bolt Circle ϕ)	S	T	Weight MJ x MJ	Weight FL x FL	Turns to Open
4	19.0	23.7	9.5	10.79	4.50	4.30	8.40	0.50	4-0.88	7.50	4.90	2.50	4	9.00	9.00	1.00	8-0.75	7.50	10	4	87	96	14
6	24.5	31.4	10	13.5	5.00	6.30	10.41	0.45	6-0.88	9.50	7.00	2.50	6	10.50	11.25	1.13	8-0.88	9.50	12	4	126	150	20.5
8	29.5	38.5	10.5	16.36	5.50	8.30	12.68	0.50	6-0.88	11.75	9.15	2.50	6	11.50	13.50	1.15	8-0.88	11.75	14	4	212	230	26.5
10	35.7	47.0	11.5	20	6.50	10.30	15.24	0.62	8-0.88	14.00	11.20	2.50	8	13.00	16.00	1.29	12-1.00	14.25	16	4	308	348	33
12	40.5	53.5	12	21	7.00	12.30	18.024	0.62	8-0.88	16.25	13.30	2.50	8	14.00	19.00	1.33	12-1.00	17.00	16	3	407	477	38.5

MUELLER CONFIDENTIAL
 TITLE TO AND OWNERSHIP OF THIS ENGINEERING DATA REMAINS IN MUELLER CO. NO USE IS TO BE MADE OF THIS DATA EXCEPT AS SPECIFICALLY AUTHORIZED BY MUELLER CO. ASSENT ON THE PART OF THE RECEIPIENTS TO THESE CONDITIONS IS PRESUMED.

UNLESS OTHERWISE SPECIFIED:
 DIMENSIONS ARE IN INCHES TOLERANCES:
 ANGULAR: ± TWO DECIMAL: ± THREE DECIMAL: ±



NAME	DATE	DESCR	SIZE	DWG. NO.	REV
DRAWN JH	5/19/17	R 2361 RWGV 350W Submittal Drawing	D	7408	0
CHECKED AO	7-24-17				
ENG APPR. MS	7-24-17				
MFG APPR.					
Q.A.					

SCALE: WEIGHT (lbs): SHEET 1 OF 1