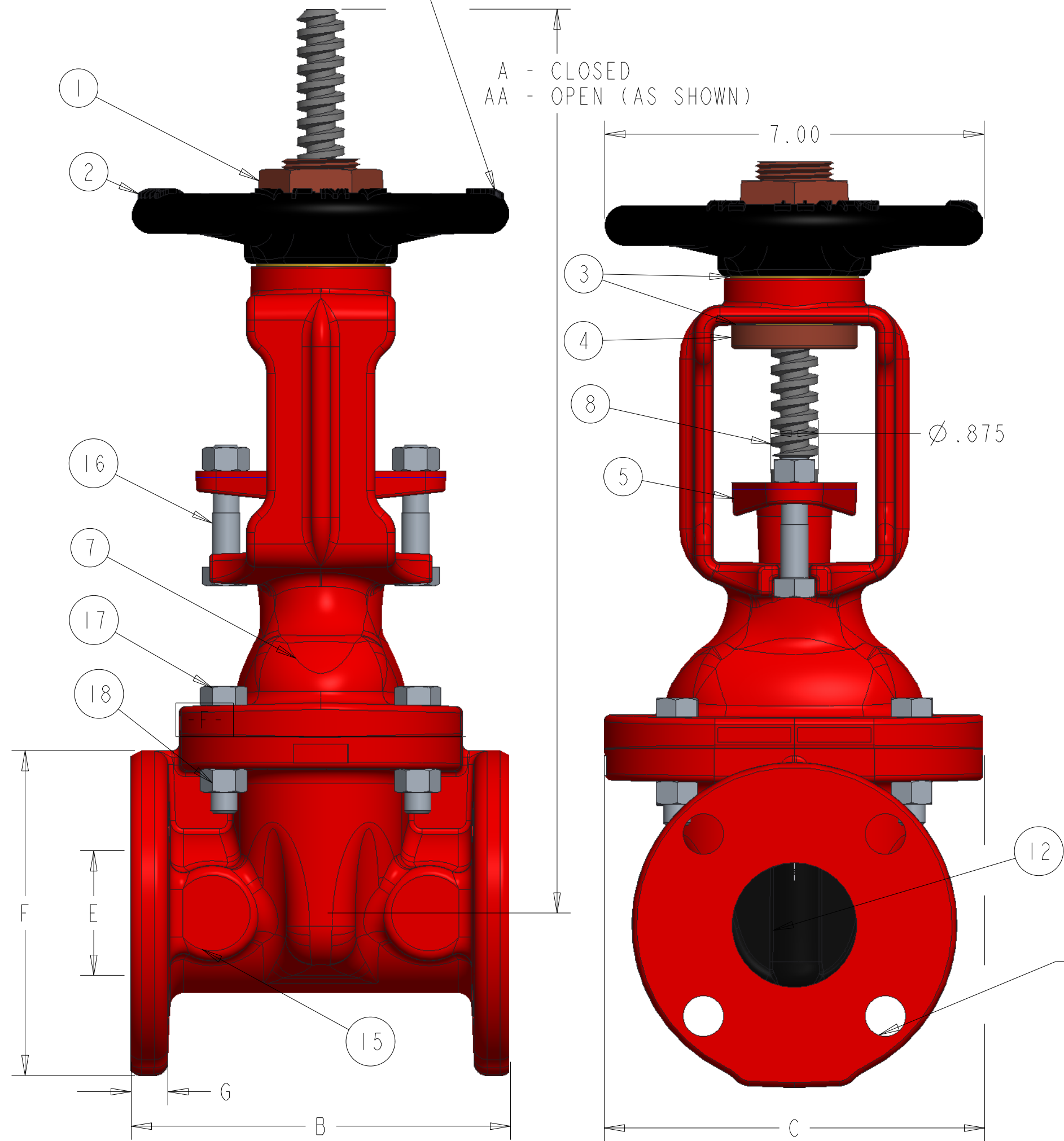


HANDWHEEL OPEN LEFT OR  
OPEN RIGHT AS REQUIRED



ITEM	DESCRIPTION	REQ'D	MATERIAL	ASTM	ALLOY
1	CAP NUT	1	BRONZE	B62/B584	C83600/C84400
2	HANDWHEEL	1	DUCTILE IRON	A536	
3	THRUST WASHER	2	BRASS		
4	BUSH NUT	1	BRONZE	B62	C83600
5	GLAND FLANGE	1	DUCTILE IRON	A536	
6	PACKING	4	LUBE FLAX		FED HH-P-106c
7	BONNET YOKE	1	DUCTILE IRON	A536	
8	STEM	1	MANGANESE BRONZE	BI38	C67600
9	O-RING	1	NITRILE RUBBER	D2000	R34
10	DISC NUT	1	BRONZE	B584	C89833
11	PIN, TYPE E	1	304 STAINLESS STEEL		
12	DISC	1	SBR RUBBER (R88)	SEE NOTE 1	
13	GUIDE CAP	2	ACETYL COPOLYMER		
14	BONNET GASKET	1	NITRILE	D2000	
15	BODY	1	DUCTILE IRON	A536	
16	GLAND BOLT	2	316 STAINLESS STEEL	F593A	GROUP 2-CW
17	BONNET BOLT	M	316 STAINLESS STEEL	F593A	GROUP 2-CW
18	BONNET NUT	M	316 STAINLESS STEEL	F594A	GROUP 2-CW
19	GLAND NUT	2	BRONZE	B98	B-12

NOTES:  
1. RUBBER ENCAPSULATED CAST IRON DISC  
CAST IRON - ASTM A126 CLASS B  
SBR RUBBER (R88) PER ASTM D2000 (STANDARD)

NOTICE:  
UL/FM NOTIFICATION  
REQUIRED FOR  
ALL CHANGES

**MUELLER CONFIDENTIAL**  
TITLE TO AND OWNERSHIP OF THIS ENGINEERING DATA  
REMAINS IN MUELLER CO. NO USE IS TO BE MADE  
OF THIS DATA EXCEPT AS SPECIFICALLY AUTHORIZED  
BY MUELLER CO. ASSENT ON THE PART OF RECIPIENTS  
TO THESE CONDITIONS IS PRESUMED.

DIMENSIONS FOR MUELLER RWGV OS&Y - INCHES										
VALVE SIZE	A	AA	B	C	E	F	G	K	L	M
2"	14.09	16.69	7.00	7.02	2.30	6.00	0.68	4 - 0.63	4.75	4
2.5"	15.91	19.56	7.50	8.63	2.80	7.00	0.75	4 - 0.75	5.50	6
3"	15.66	19.31	8.00	8.63	3.30	7.50	0.80	4 - 0.88	6.00	6

DR. BY	AO	5/19/17	UNLESS OTHERWISE NOTED	THIRD ANGLE PROJECTION	C.B. NO.
CHKR	BB	5/19/17	BREAK CAST CORNER(S)---		
ENGR	MS	5/19/17	BREAK MACH CORNER(S)---	PURCH.	PATT. NO.
MGR			TOLERANCES	FINISH	
MFG			UNLESS OTHERWISE NOTED	ASSY	
TOOL			LINER	SCALE	
FDRY			±	1:2	
			ANGULAR	STR. NO.	
			±		
MAT'L: NOTED					
<b>Mueller Co.</b>		DESCR.	2"-3" RWGV R2361 OS&Y		NUMBER
					7416

ECO1823199

**APPROVED**  
By Matthew Sliger at 10:55 am, Jul 25, 2017