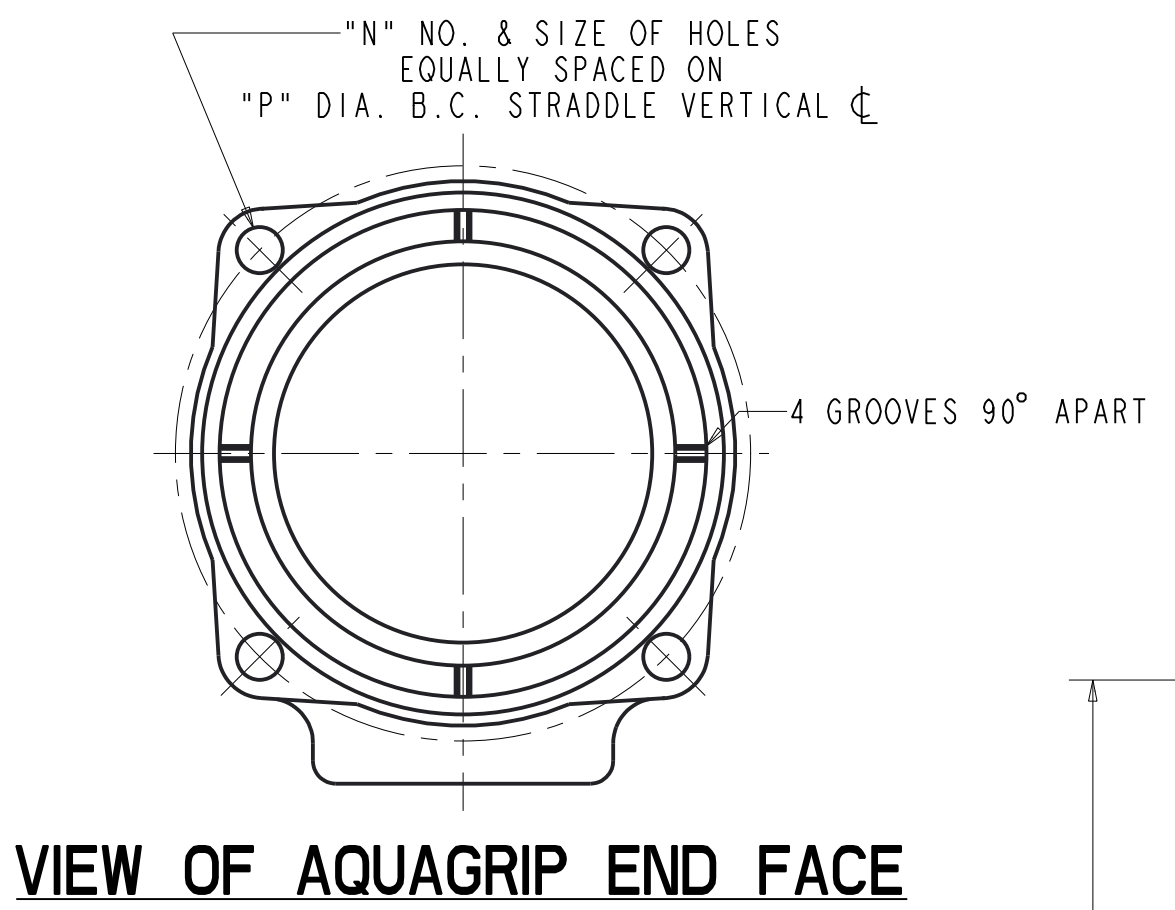
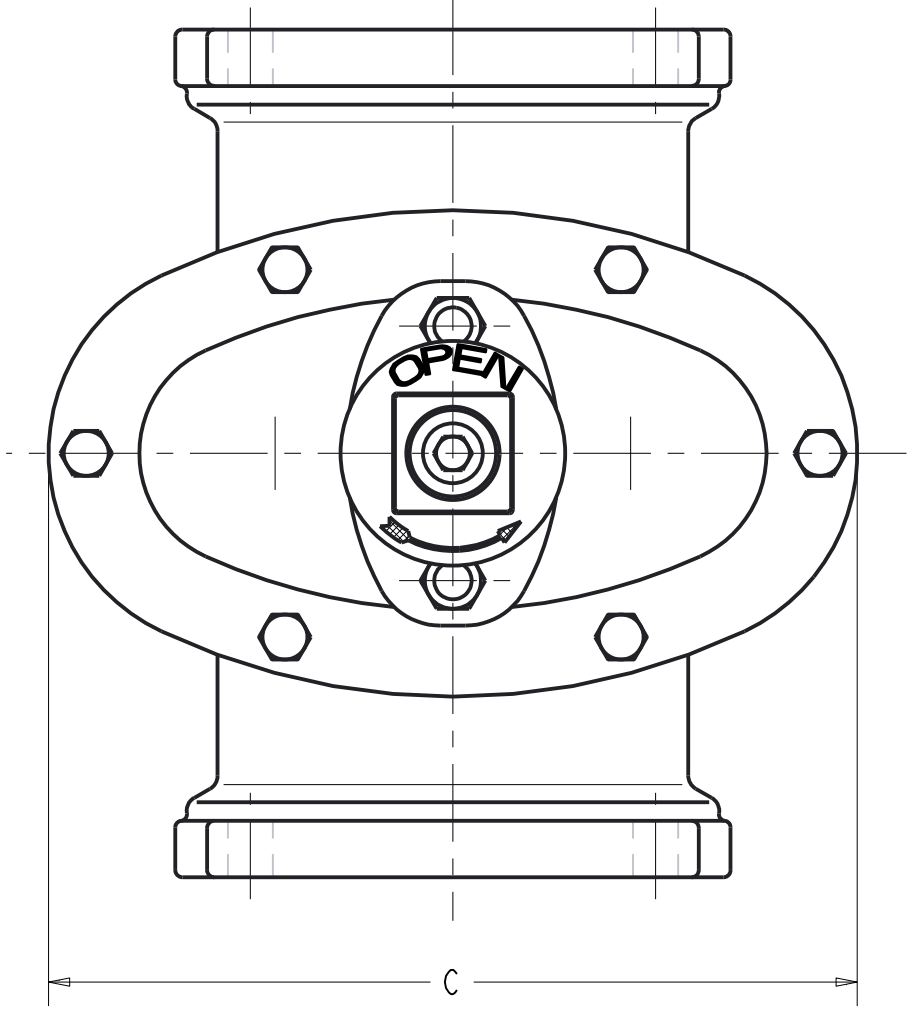
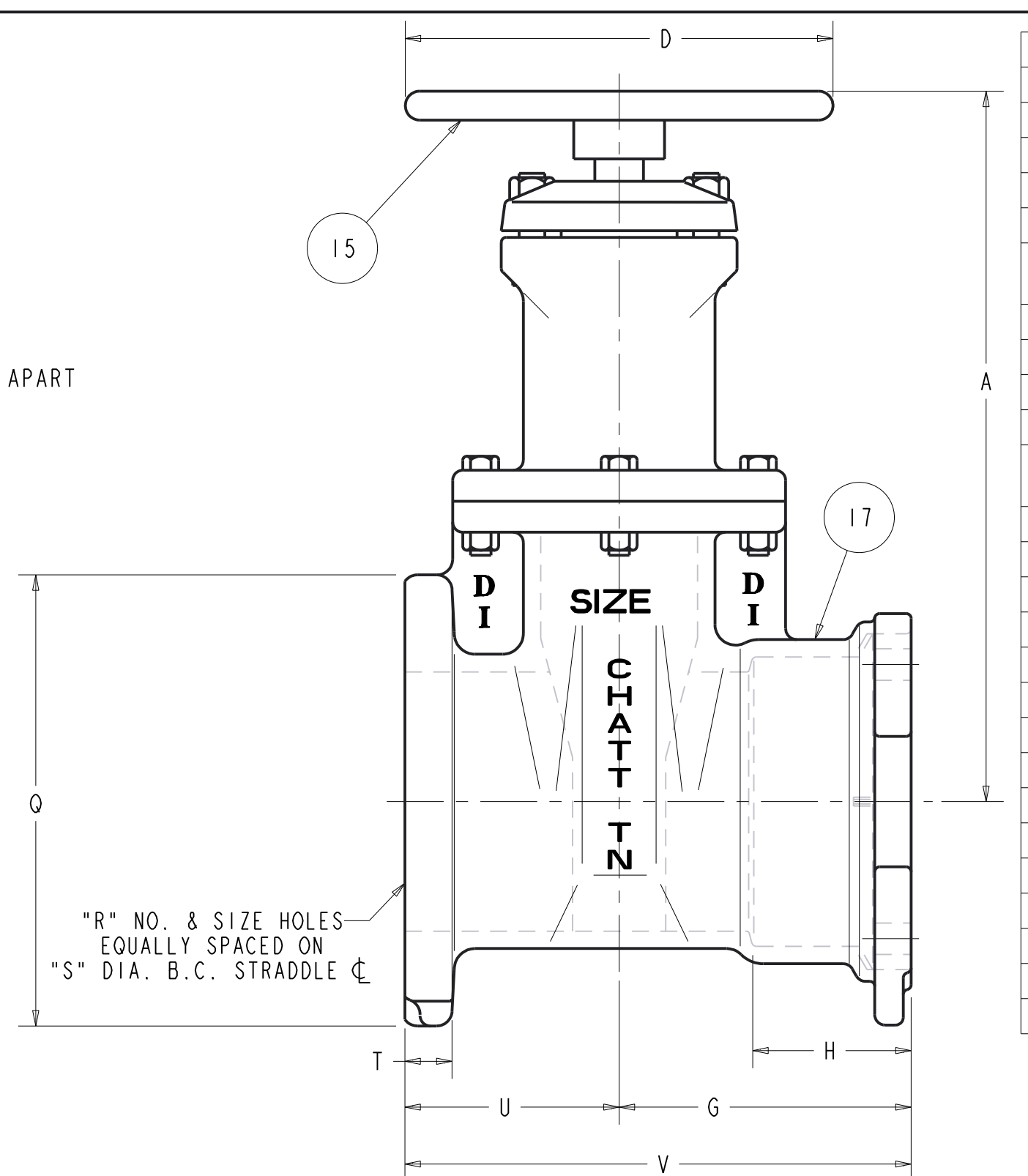


7423 4IN - 12IN MUELLER A-2361 RESILIENT WEDGE GATE VALVE - NRS - AWWA - 250W - 500 TEST  
 W/AQUAGRIP, M.J. X AQUAGRIP & FLANGE X AQUAGRIP ENDS  
 UL/FM 200W - 400 TEST

**MUELLER CONFIDENTIAL**  
 Title to and ownership of this engineering data remains in Mueller Co. No use is to be made of this data except as specifically authorized by Mueller Co. Assent on the part of recipients to these conditions is presumed.



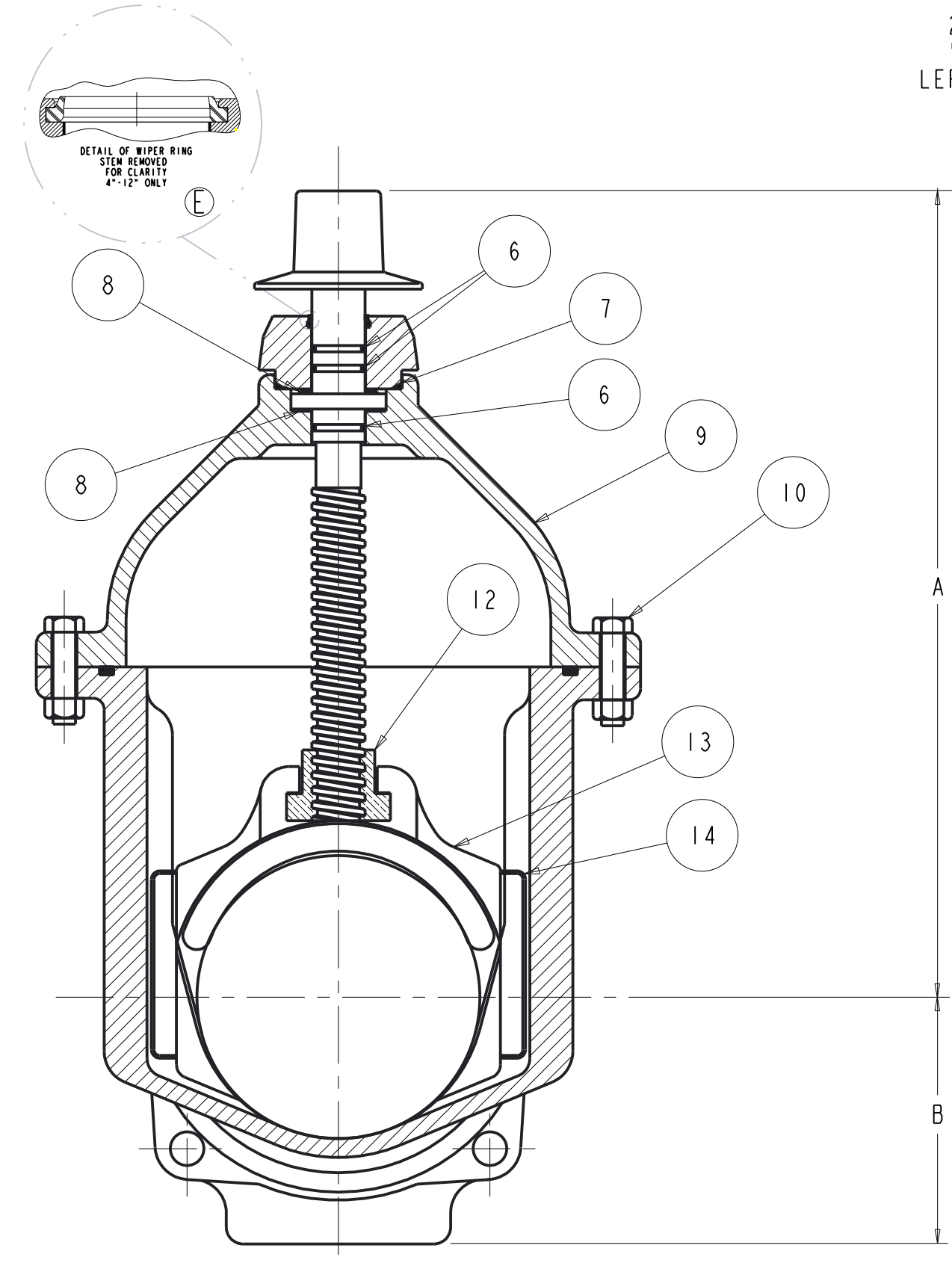
**VIEW OF AQUAGRIP END FACE**



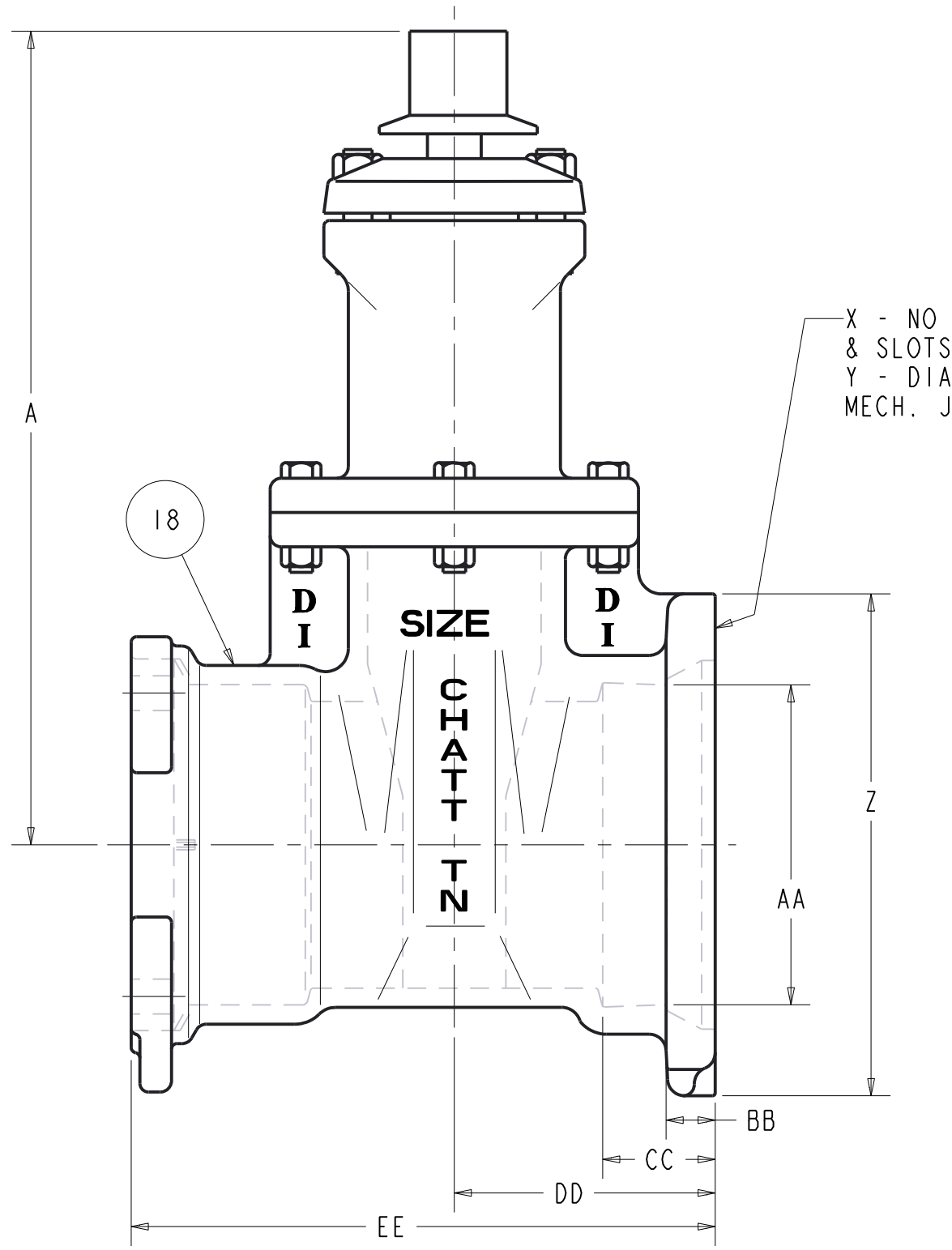
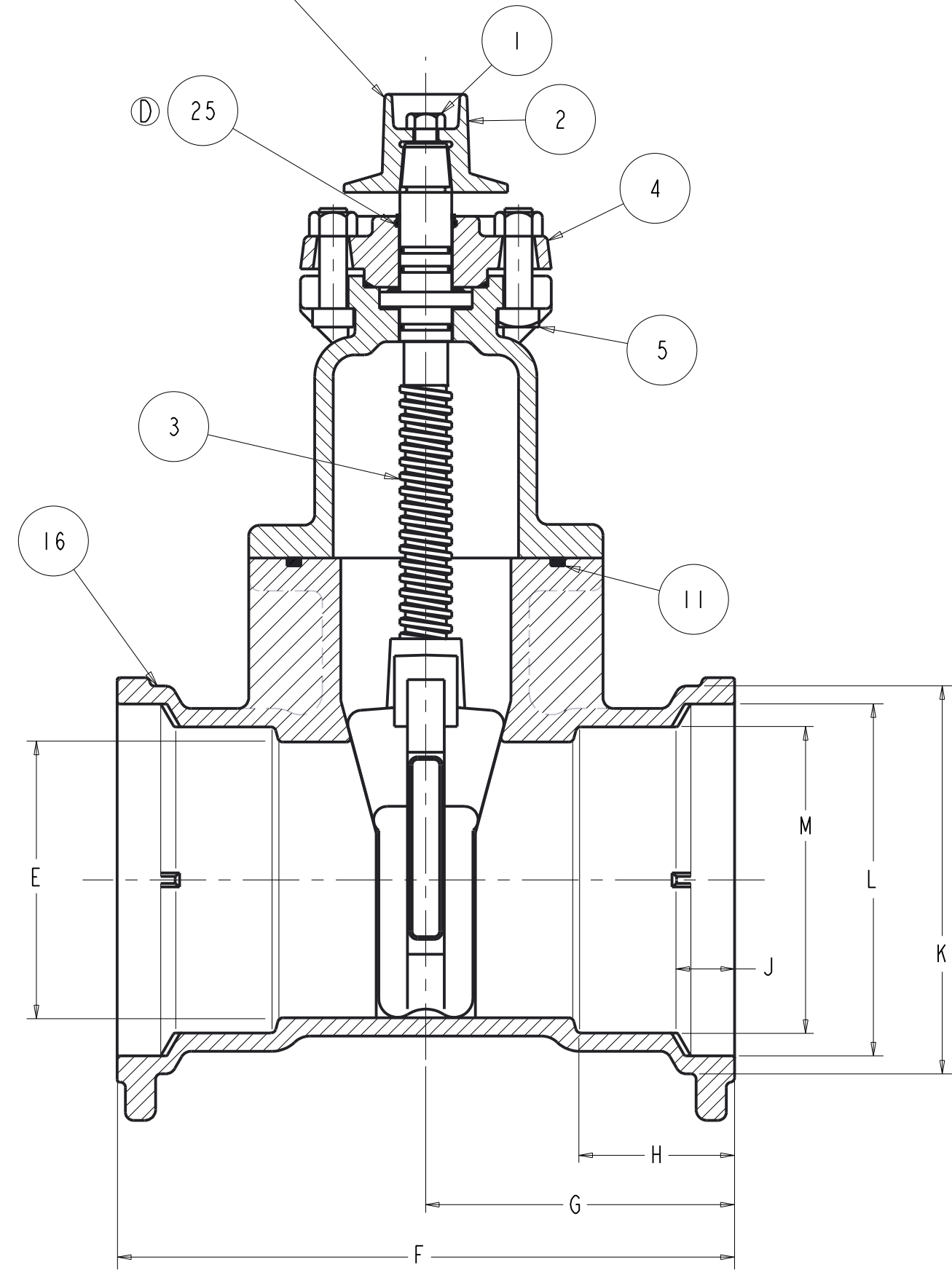
**FLANGE X AQUAGRIP ENDS**

		PARTS LIST			
ITEM	DESCRIPTION	REQ'D	MATERIAL	ASTM	
1	CAP SCREW	1	316 STAINLESS STEEL	F593	GRADE 2
2	WRENCH NUT	1	DUCTILE IRON	A536	
3	STEM	1	BRONZE	B138	ALLOY C67600
4	STUFFING BOX	1	DUCTILE IRON	A536	
5	STUFFING BOX BOLT	2	316 STAINLESS STEEL	F593	GROUP 2-CW
	STUFFING BOX NUT		316 STAINLESS STEEL	F594	GROUP 2-CW
6	O-RING	3	RUBBER	D2000	R34
7	O-RING	1	RUBBER	D2000	R34
8	ANTI-FRICTION WASHER	2	ACETAL		
9	BONNET	1	DUCTILE IRON	A536	
10	BONNET BOLT	"W"	316 STAINLESS STEEL	F593	GROUP 2-CW
	BONNET NUT		316 STAINLESS STEEL	F594	GROUP 2-CW
11	BONNET GASKET (O-RING)	1	RUBBER	D2000	R34
12	DISC NUT	1	BRONZE	B584	
13	DISC	1	SEE NOTES 1 & 2		
14	GUIDE CAP	2	ACETAL		
15	HANDWHEEL	1	CAST IRON (SEE NOTE 2)	A126	CLASS B
16	BODY - AQUAGRIP ENDS	1	DUCTILE IRON	A536	
17	BODY - FLG. X AQUAGRIP	1	DUCTILE IRON	A536	
18	BODY - M.J. X AQUAGRIP	1	DUCTILE IRON	A536	
**19	GASKET (DOUBLE O-RING)	1	RUBBER	D2000	EPDM-R108
**20	INTERMEDIATE RING	1	DUCTILE IRON	A536	
**21	GRIPPER RING	1	DUCTILE IRON	A536	
**22	END RING	1	DUCTILE IRON	A536	
**23	T-HEAD BOLTS	"FF"	STEEL	A242	LOW ALLOY (CORTEN)
**24	BREAK-AWAY NUTS	"FF"	STEEL	A108	ZINC PLATED
25	WIPER RING	1	RUBBER	D2000	

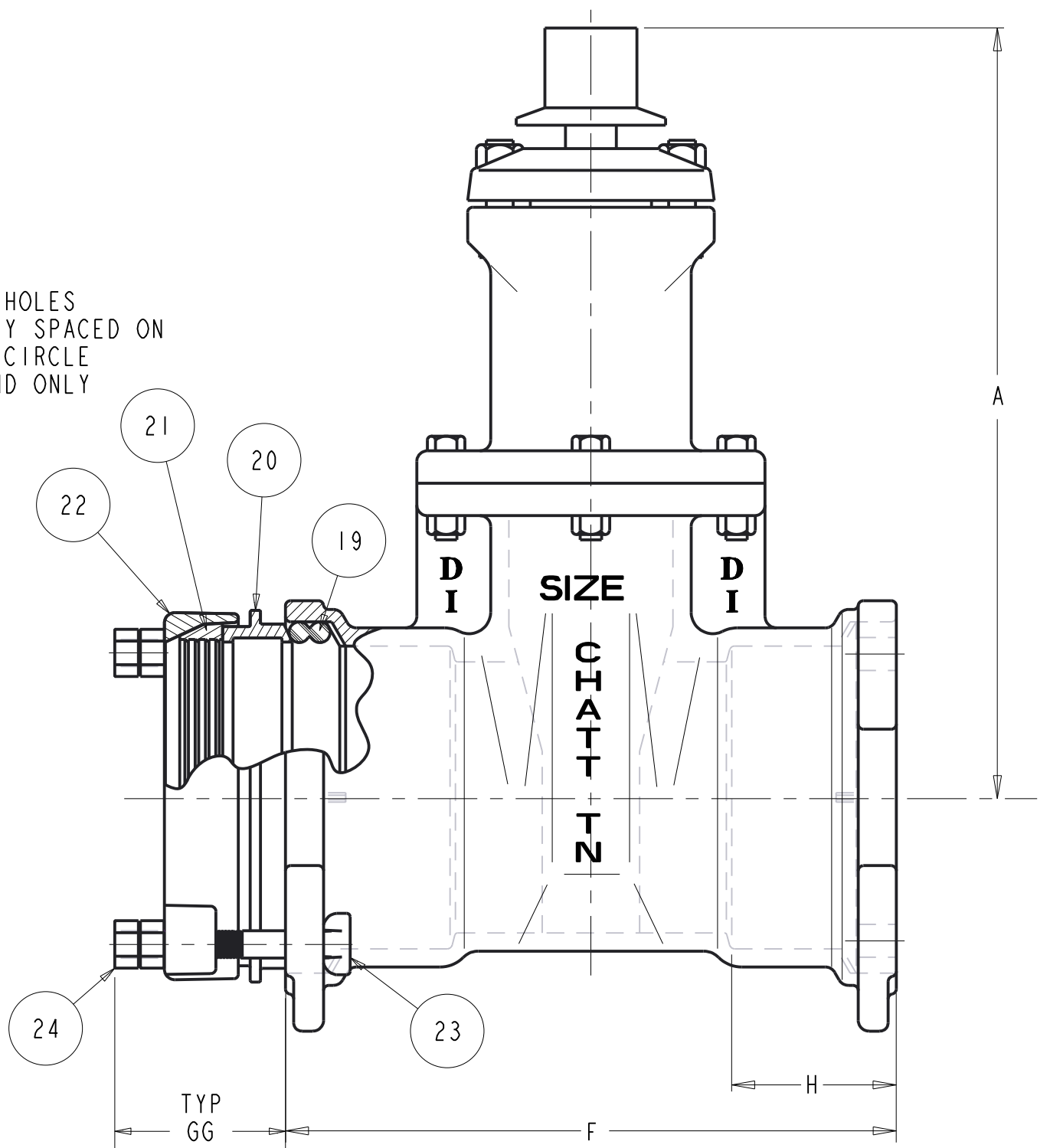
- RUBBER ENCAPSULATED CAST IRON DISC  
CAST IRON - ASTM A126 CLASS B  
RUBBER - SBR - ASTM D2000
  - MANUFACTURER'S OPTION TO UPGRADE MAT'L  
TO D1 - A536 GR 65-45-12 OR 70-50-05
- \*\* QUANTITY PER AQUAGRIP ASSEMBLY



2" SQUARE WRENCH NUT OR "D" DIA. HANDWHEEL OPEN LEFT OR RIGHT AS REQUIRED



**MECHANICAL X AQUAGRIP ENDS**



**AQUAGRIP X AQUAGRIP ENDS**

DIMENSIONS FOR MUELLER RESILIENT WEDGE VALVE - INCHES																																
VALVE SIZE	A	B	C	D	E	F	G	H	J	K	L	M	N	P	Q	R	S	T	U	V	W	X	Y	Z	AA	BB	CC	DD	EE	FF	GG	URNS TO OPEN
4	14.19	4.50	10.79	11.00	4.30	12.68	6.34	3.70	1.08	6.56	5.75	4.95	4 - 0.88	7.50	9.00	8 - 0.75	7.50	.94	4.50	10.84	4	4 - 0.88	7.50	9.12	4.90	1.00	2.50	5.00	11.34	4	2.75	14
6	18.00	5.50	13.50	13.00	6.30	15.12	7.56	3.70	1.28	8.81	8.05	7.12	4 - 0.88	9.75	11.00	8 - 0.88	9.50	1.06	5.25	12.81	6	6 - 0.88	9.50	11.12	7.00	1.09	2.50	5.81	13.37	4	3.75	20.5
8	21.50	6.75	16.36	14.00	8.30	16.94	8.47	3.70	1.28	10.88	10.20	9.28	6 - 0.88	11.96	13.50	8 - 0.88	11.75	1.19	5.75	14.22	6	6 - 0.88	11.75	13.37	9.15	1.18	2.50	6.34	14.81	6	3.75	26.5
10	25.50	8.00	19.99	16.00	10.30	18.04	9.02	3.89	1.47	12.92	12.29	11.31	8 - 0.88	14.00	16.00	12 - 1.00	14.25	1.25	6.50	15.53	8	8 - 0.88	14.00	15.62	11.20	1.25	2.50	7.38	16.41	8	3.75	33
12	28.62	9.50	21.00	16.00	12.30	18.90	9.45	3.89	1.47	15.14	14.40	13.40	8 - 0.88	16.25	19.00	12 - 1.00	17.00	1.31	7.00	16.45	8	8 - 0.88	16.25	17.88	13.30	1.31	2.50	7.44	16.89	8	3.75	38.5

**APPROVED**  
 By Matthew Sliger at 8:30 am, Sep 14, 2017

SR BY: AO	6/8/17	UNLESS OTHERWISE NOTED	THIRD ANGLE PROJECTION	C.D. NO.
CHNG: BB	6/8/17	BREAK CAST CORNERS!		PART. NO.
ENGR: MS	6/8/17	BREAK MACH CORNERS!		
MRP:		TOLERANCES	PURCH. NO.	FINISH
MFG:		UNLESS OTHERWISE NOTED	REF. NO.	SCALE
TOOL:		LINEAR	±	ANGULAR
DRY:		±	STR. NO.	
MAT'L: NOTED		DESCR: 4IN - 12IN RWGV A2361 W/AQUAGRIP, M.J. X AQUAGRIP & FLANGE X AQUAGRIP ENDS		
		NUMBER		7423