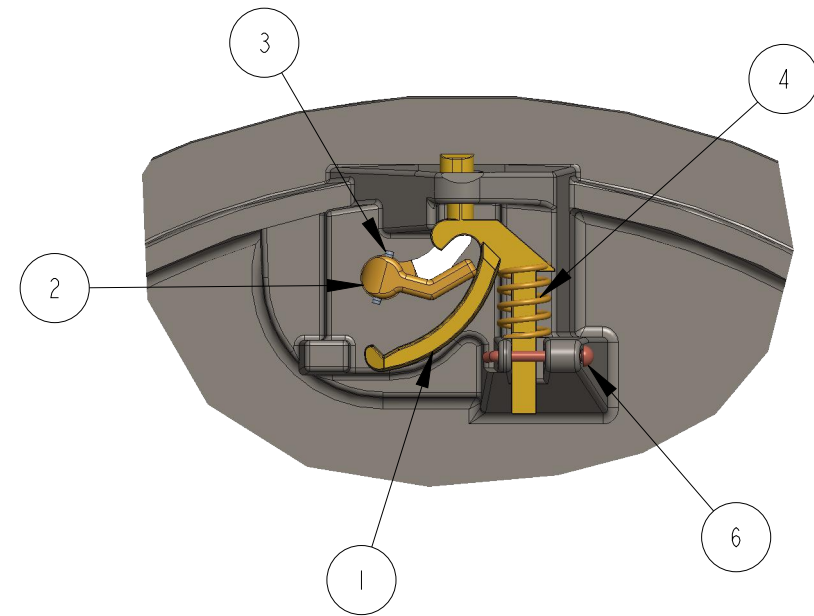
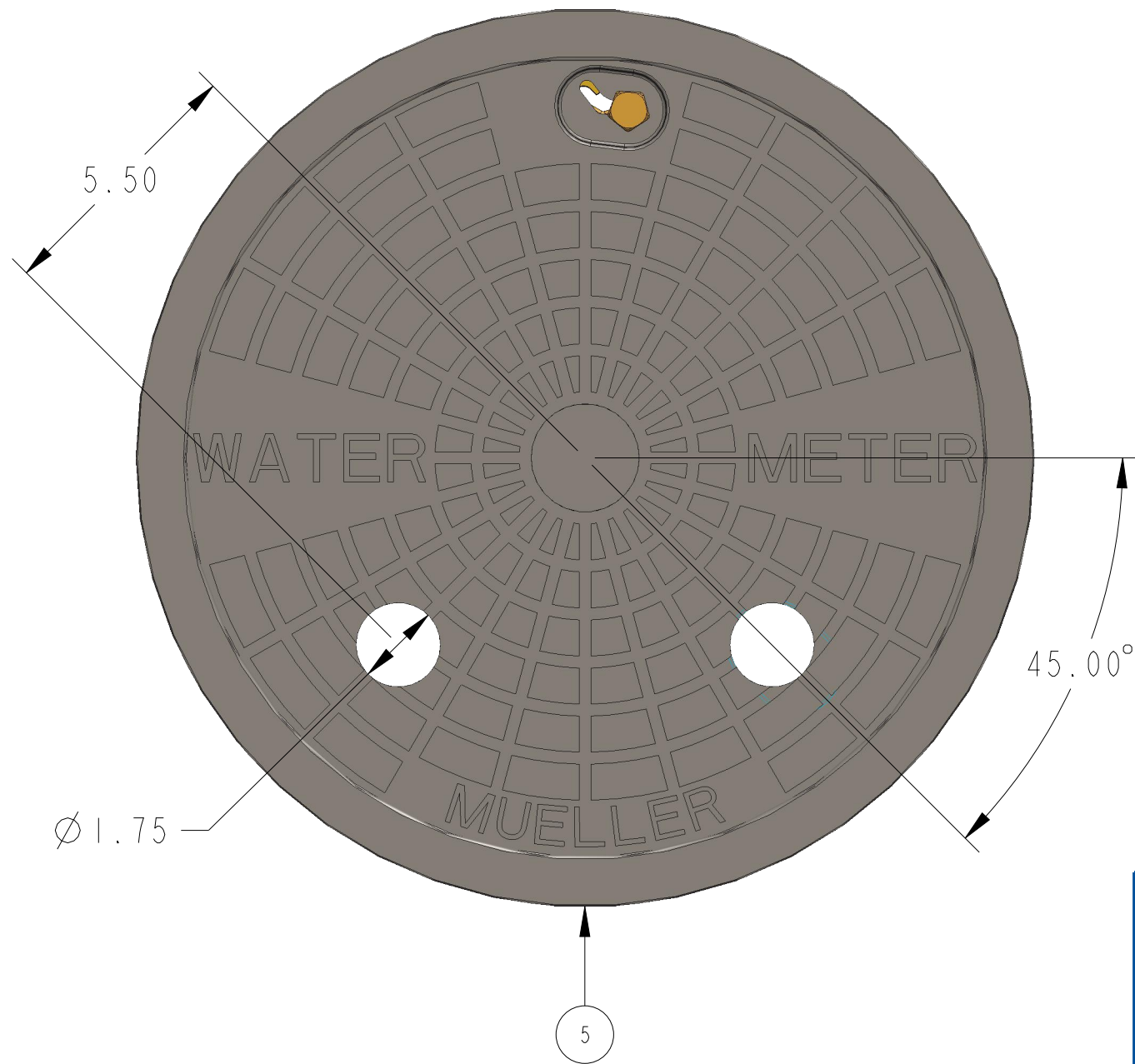
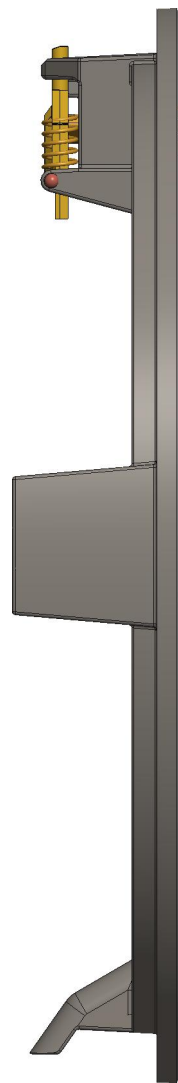
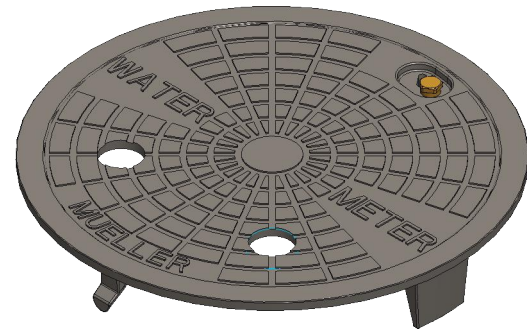


ITEM NO	PART NUMBER	QTY	DESCRIPTION	MATERIAL
1	146306-1	1	LATCH CASTING	LEAD FREE BRASS ALLOY ASTM B584 C83600/C87850
2	146323	1	PENTAGON KEY	LEAD FREE BRASS ALLOY ASTM B584 C83600/C87850
3	146324	1	SS ROLL PIN	STAINLESS STEEL 18-8
4	508558	1	COIL SPRING	SILICON BRONZE
5	700137	1	18" DIA CAST IRON SIDE LOCKING LID	CAST IRON ASTM A126 CLASS B
6	790146	1	1/8" DIA COPPER RIVET	COPPER

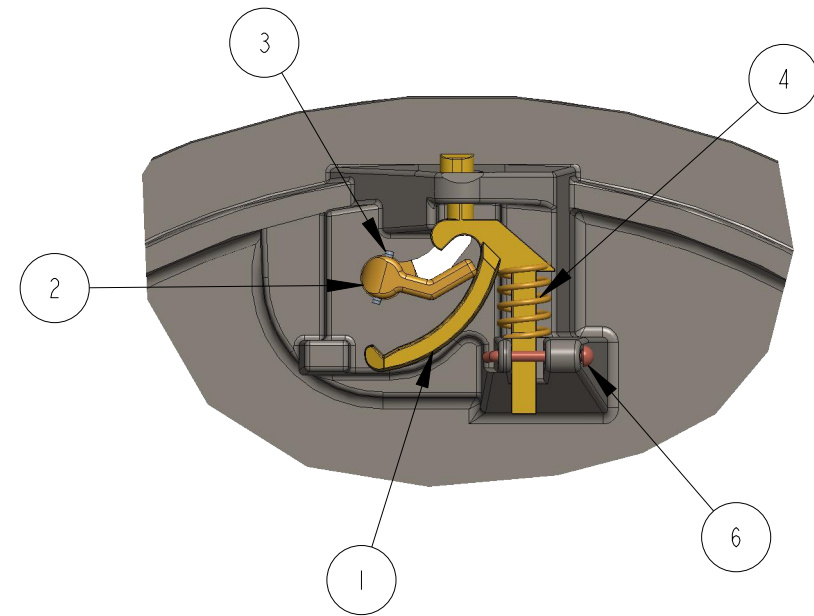
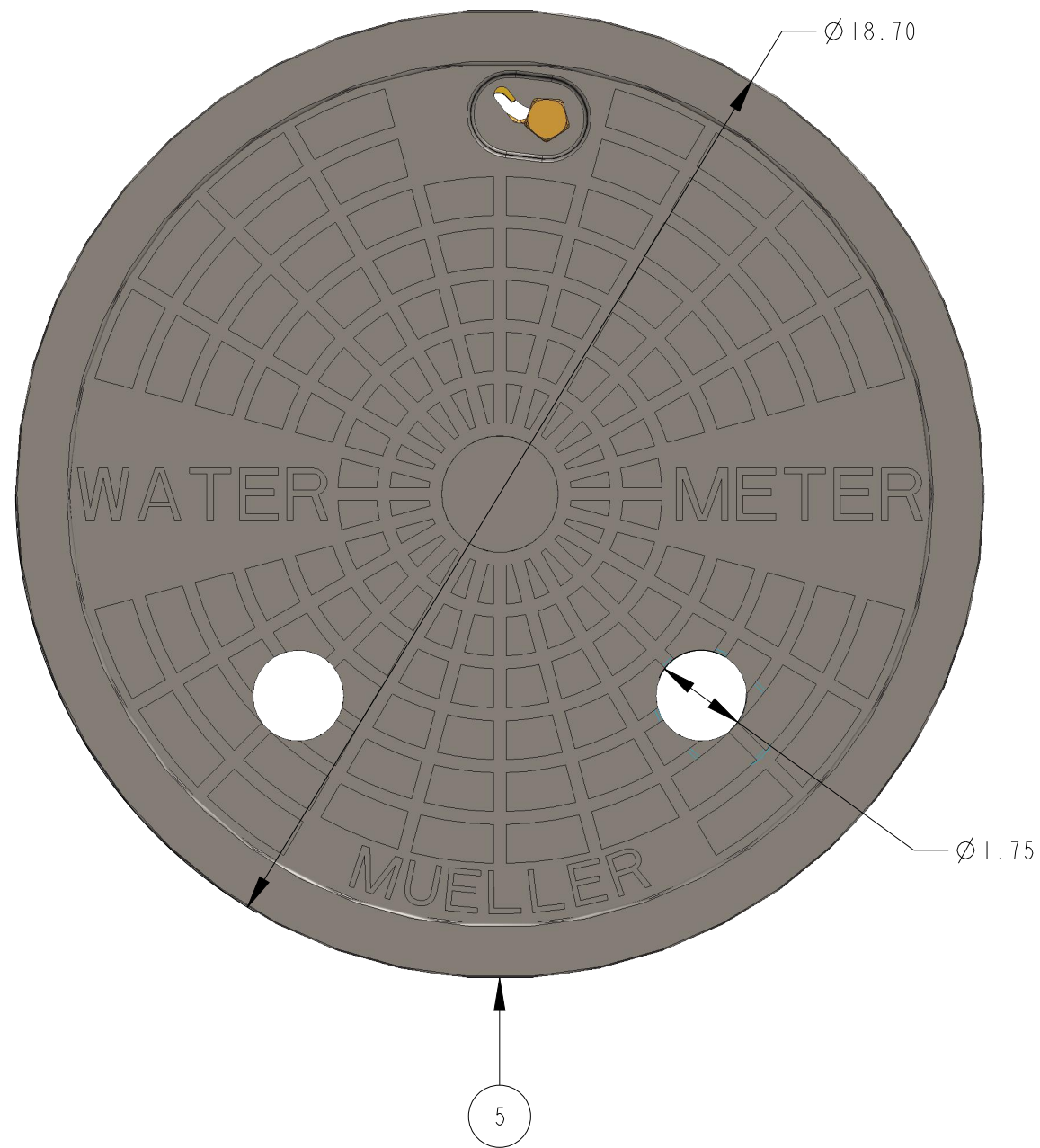
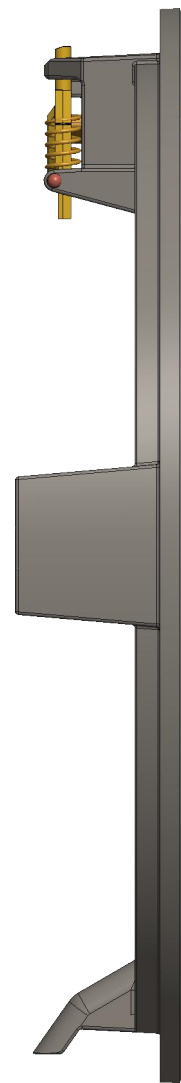


DR. BY	AOD	4/19/21	UNLESS OTHERWISE NOTED		THIRD ANGLE PROJECTION	C.B. NO.
CHKR			BREAK CAST CORNER(S)---			
ENGR			BREAK MACH CORNER(S)---		PURCH.	FINISH
MGR			TOLERANCES		REF. NO.	PATT. NO.
MFG			UNLESS OTHERWISE NOTED		SCALE	
TOOL			LINEAR	ANGULAR	NONE	
FDRY			±	±	STK. NO.	
MAT'L:						
			DESCR.	18" FLAT TOUCH READ LID SIDE MOUNTED KEY LOCK	NUMBER	780111

780111



ITEM NO	PART NUMBER	QTY	DESCRIPTION
1	146306-1	1	LATCH CASTING
2	146323	1	PENTAGON KEY
3	146324	1	SS ROLL PIN
4	508558	1	COIL SPRING
5	700137	1	18" DIA CAST IRON SIDE LOCKING LID
6	790146	1	1/8" DIA COPPER RIVET



DR. BY	AOD	4/19/21	UNLESS OTHERWISE NOTED	THIRD ANGLE PROJECTION	C.B. NO.
CHKR			BREAK CAST CORNER(S)---		
ENGR			BREAK MACH CORNER(S)---	PURCH.	PATT. NO.
MGR			TOLERANCES	FINISH	
MFG			UNLESS OTHERWISE NOTED	REF. NO.	SCALE
TOOL			LINEAR	±	NONE
FDRY			ANGULAR	±	
MAT'L:			STK. NO.		
		DESCR.	18" FLAT TOUCH READ LID SIDE MOUNTED KEY LOCK	NUMBER	780111