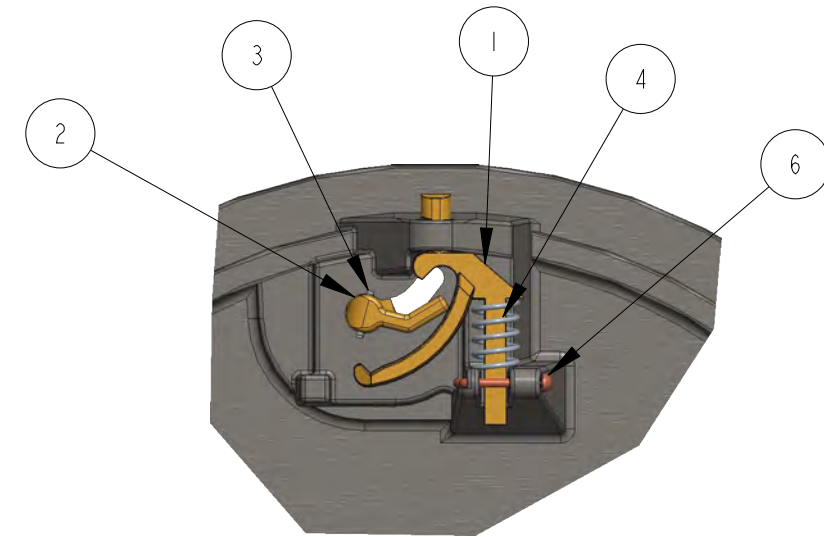
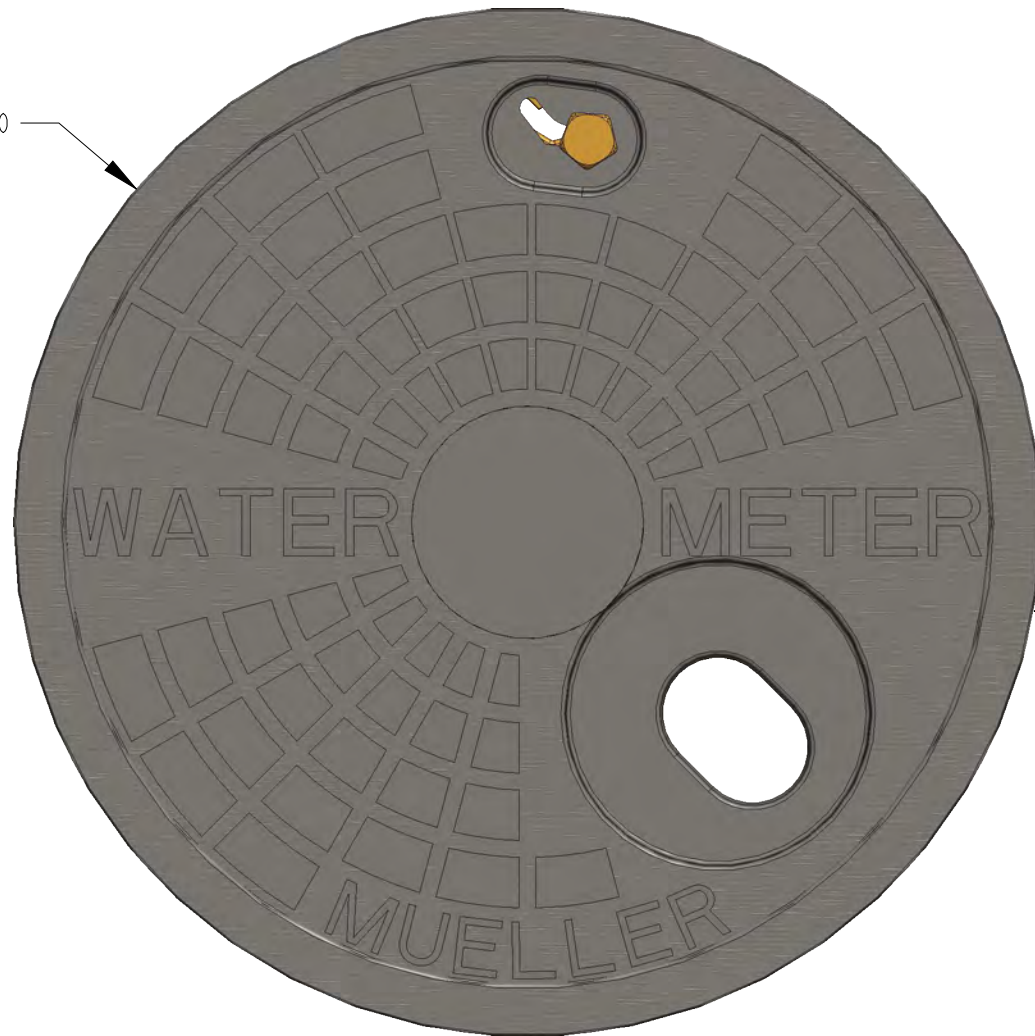




ITEM NO	PART NUMBER	QTY	DESCRIPTION
1	146306-1	1	LATCH CASTING
2	146323	1	PENTAGON KEY
3	146324	1	SS ROLL PIN
4	508558	1	COIL SPRING
5	700177-1	1	15" DIA CAST IRON SIDE LOCKING LID
6	790146	1	1/8" DIA COPPER RIVET



Ø 15.30



5

DR. BY	AOD	6/30/21	UNLESS OTHERWISE NOTED	THIRD ANGLE PROJECTION	C.B. NO.
CHKR			BREAK CAST CORNER(S)---		
ENGR			BREAK MACH CORNER(S)---	PURCH.	PATT. NO.
MGR			TOLERANCES	FINISH	
MFG			UNLESS OTHERWISE NOTED	REF. NO.	SCALE
TOOL			LINEAR		NONE
FDRY			±	ANGULAR	STK. NO.
MAT'L:					
		DESCR.	15" METER BOX LID WITH PENTAGON KEY	NUMBER	780112