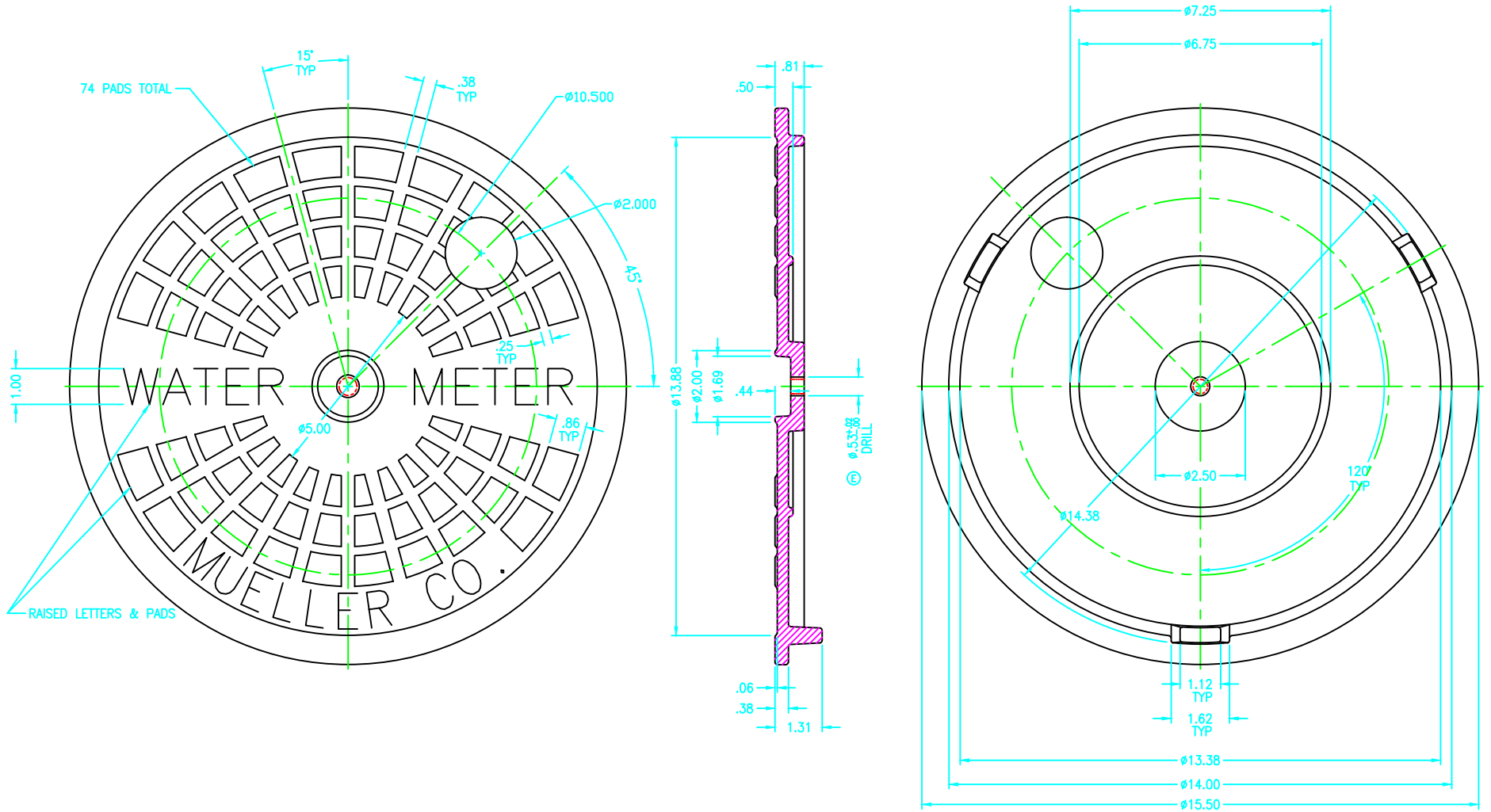




544619

REV.	DESCRIPTION	REF.	DRFT	CHKD	APP.	DATE
0	XXX	ECO	XXX	XXX	XXX	XX-XX-XX



THIS DRAWING IS SUBJECT TO REVISION OF DRAWING 790007 AND MUST BE UPDATED AS IT IS REVISED

INCH		MILLIMETER		TOLERANCES — MACHINING UNLESS OTHERWISE NOTED		THIRD ANGLE PROJECTION	
DRFT	MDT	01-22-10		BREAK EDGES	FINISH SURFACES	PURCH.	FINISH
CHK'R	XXX	XX-XX-XX		MACH. .006/016	125	YES	ROUGH
APP	XXX	XX-XX-XX				REF. NO.	SCALE
							NONE
E.O. NUMBER	ECO1525520			DECIMALS	ANGLES		STK. NO. 790007
				2 PL. ±.025	±1		
				3 PL. ±.010			

**APPROVED**  
By Murray Thompson at 10:05 am, Jan 22, 2010

<b>Mueller Co.</b>	MATL.	GRAY CAST IRON ASTM A126 CLASS B	REVISION	NUMBER
	DESCR.	15" FLAT LID w/ 2" TOUCH READ HOLE	0	544619
				SHEET 1 OF 1