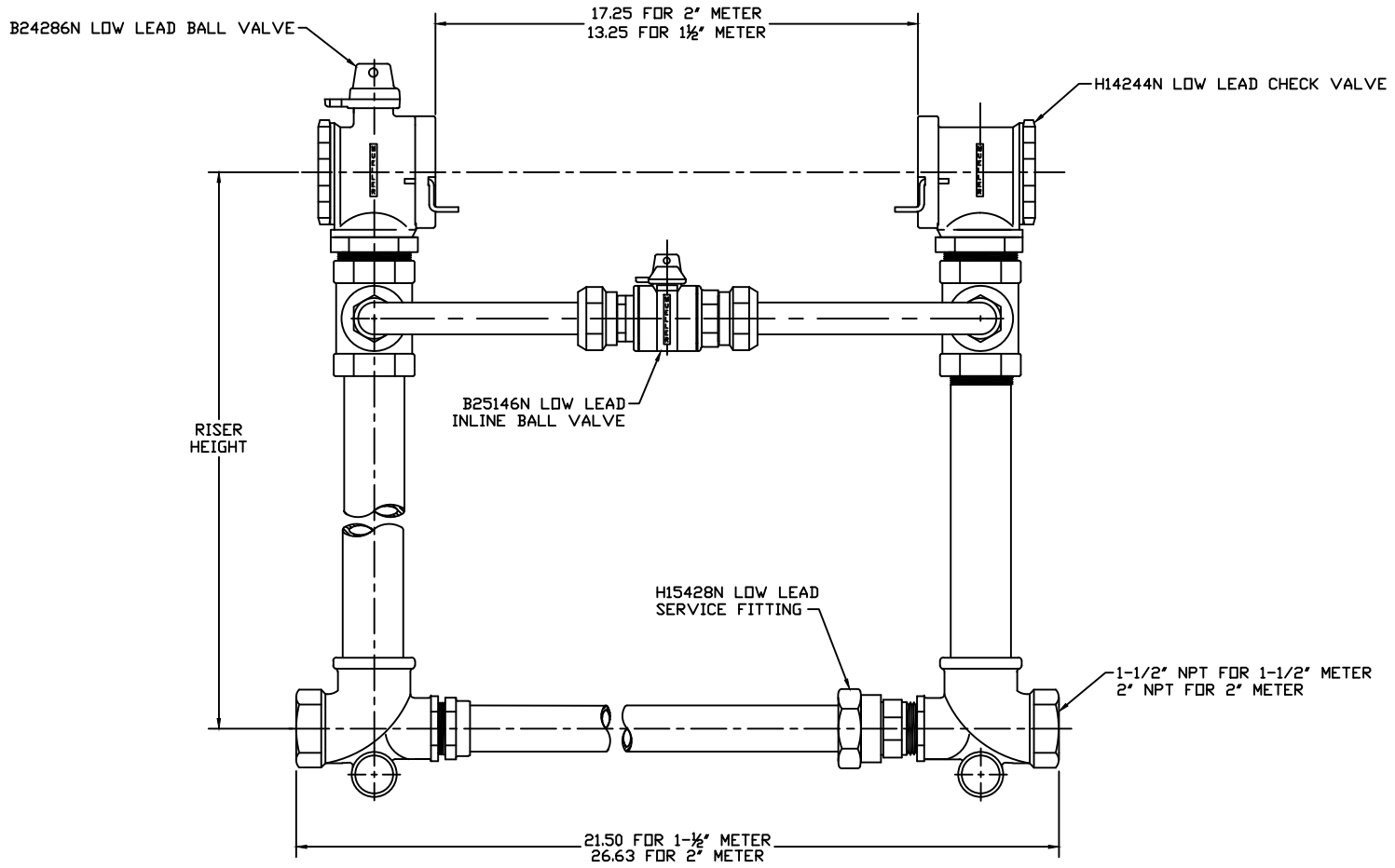


B2423--2-00N



REV.	DESCRIPTION	REF.	DRFT'R	CHK'R	APP	DATE
------	-------------	------	--------	-------	-----	------

DRFT'R	MC	2-25-09	THIRD ANGLE PROJECTION	REF. NO.	SCALE
CHK'R	MC	2-25-09			NTS
E.O. NUMBER	MTD 1013			STOCK No.	
DESCR.			REV.		
			LOW LEAD METER YOKE W/ HORIZONTAL INLET & OUTLET AND BYPASS		
			NUMBER B2423--2-00N SHEET 1 OF 1		