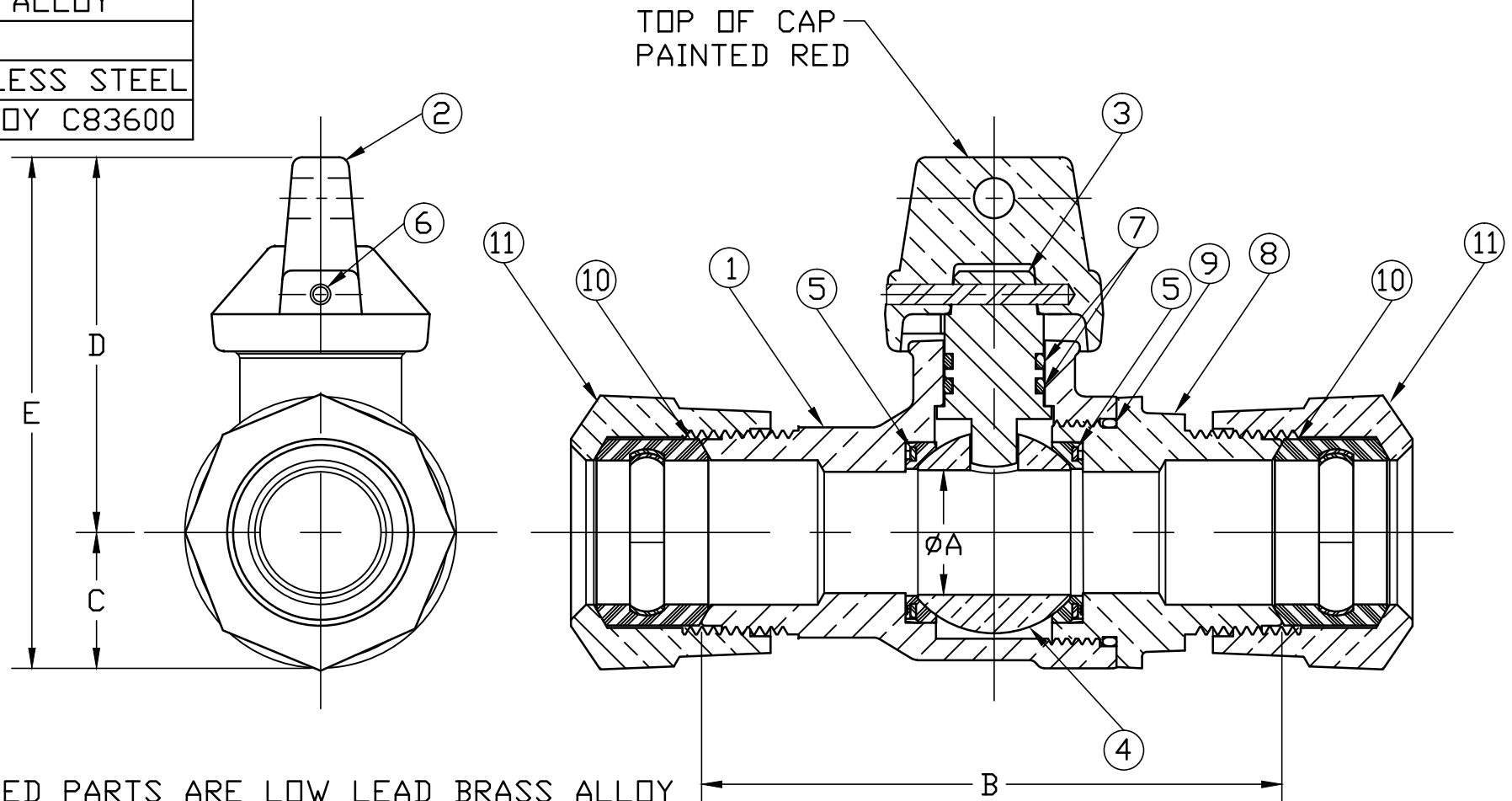


No.	DESCRIPTION	MATERIAL DESCRIPTION
1	BODY	CAST LOW LEAD BRASS ALLOY
2	CAP	CAST BRASS ASTM B62 ALLOY C83600
3	STEM	LOW LEAD BRASS ALLOY
4	BALL	LOW LEAD BRASS ALLOY
5	GASKET	ASTM D2000 (NITRILE)
6	SOLID PIN	AISI 303 STAINLESS STEEL
7	O-RING	ASTM D2000 (EP)
8	END PIECE	CAST LOW LEAD BRASS ALLOY
9	O-RING	ASTM D2000 (EP)
10	CTS GASKET SUB	ASTM D2000(SBR)&410 STAINLESS STEEL
11	CONNX NUT	CAST BRASS ASTM B62 ALLOY C83600

SIZE	ØA	B	C	D	E
3/4"	.75	3.59	.84	2.12	2.96
1"	1.00	5.03	1.15	2.32	3.47
1 1/2"	1.50	5.06	1.50	3.37	4.87
2"	2.00	5.52	1.82	3.92	5.74



NOTE: ALL WETTED PARTS ARE LOW LEAD BRASS ALLOY

FILEPATH: PROD-ENG\MUELLER\ASYSUBMITTALS\B25209N

DRFTR	RWB	7/30/14	<b>Mueller Co.</b>		
CHKR					
ENGR					
MGR					
UNLESS OTHERWISE NOTED			THIRD ANGLE PROJECTION		
SURFACE PREPARATION:					
BREAK CORNER(S) ---- .000					
SURFACE FINISH ---XXX RMS			REF. No.	SCALE	
TOLERANCE(S):				FULL	
LINEAR ----- ± .000					
ANGULAR ----- ± 0°00'					
STK No:					
MAT'L:					
DESCR.			DWG NUMBER		
INLINE 360° TURN BALL CURB VALVE LLB (110CTS × 110CTS)			B25209N		
REV	ECR	DESCRIPTION	DATE	BY	CHKR
PER EST NO: DXXXX EST FIN WT = 0.0000 lbs					

DWG NUMBER  
 B25209N  
 442-MRKTG

TITLE TO AND OWNERSHIP OF THIS ENGINEERING  
 DATA REMAINS IN Mueller Co. NO USE IS TO BE  
 MADE OF THIS DATA EXCEPT AS SPECIFICALLY  
 AUTHORIZED BY Mueller Co. ASSENT ON THE PART  
 OF THE RECIPIENT TO THESE CONDITIONS IS PRESUMED