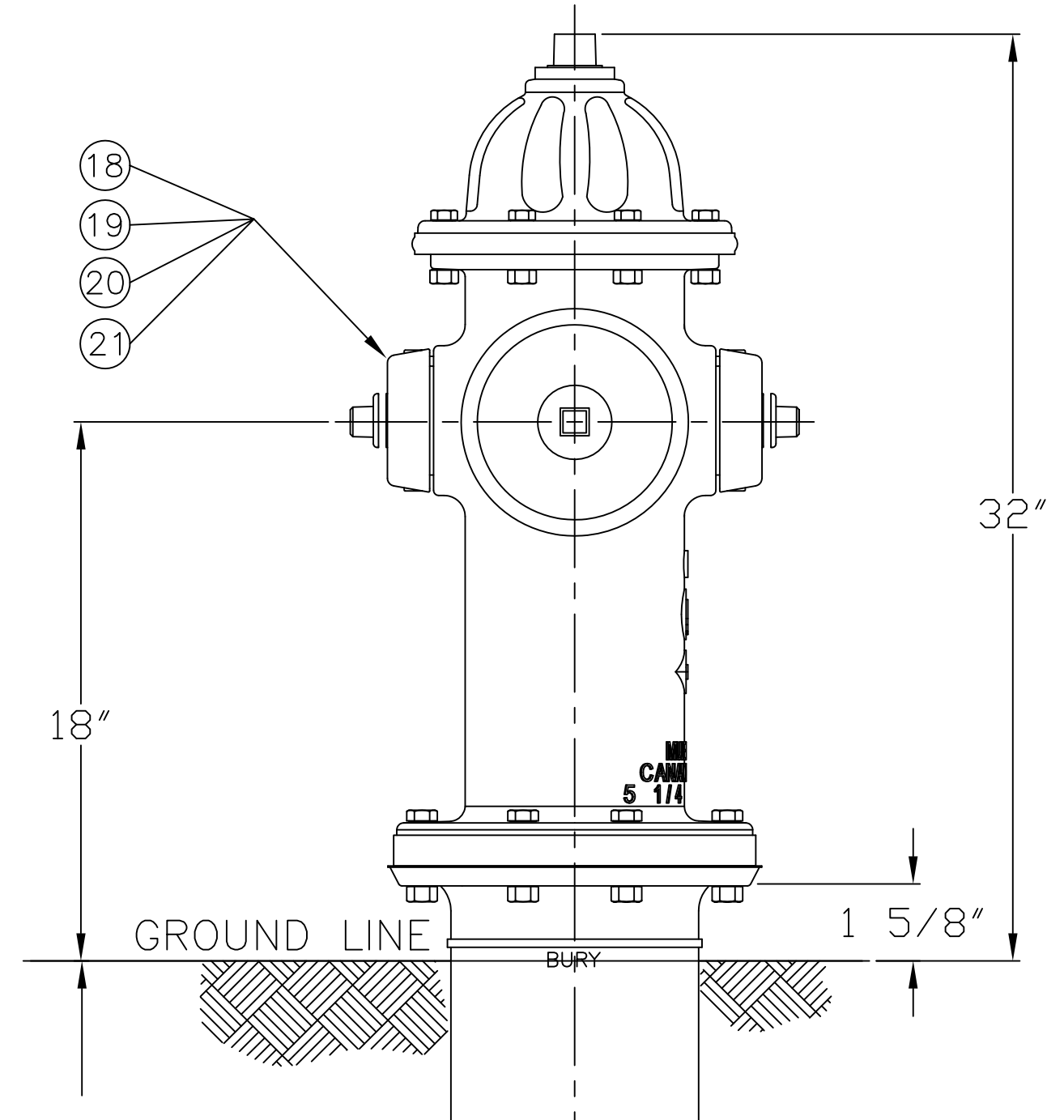


5 1/4" A479 MONITOR HYDRANT W/ TWO HOSE NOZZLES
& ONE PUMPER NOZZLE - 250 P.S.I. W.P. - 500 P.S.I. TEST, 1997 STYLE.

DWG. FH-121

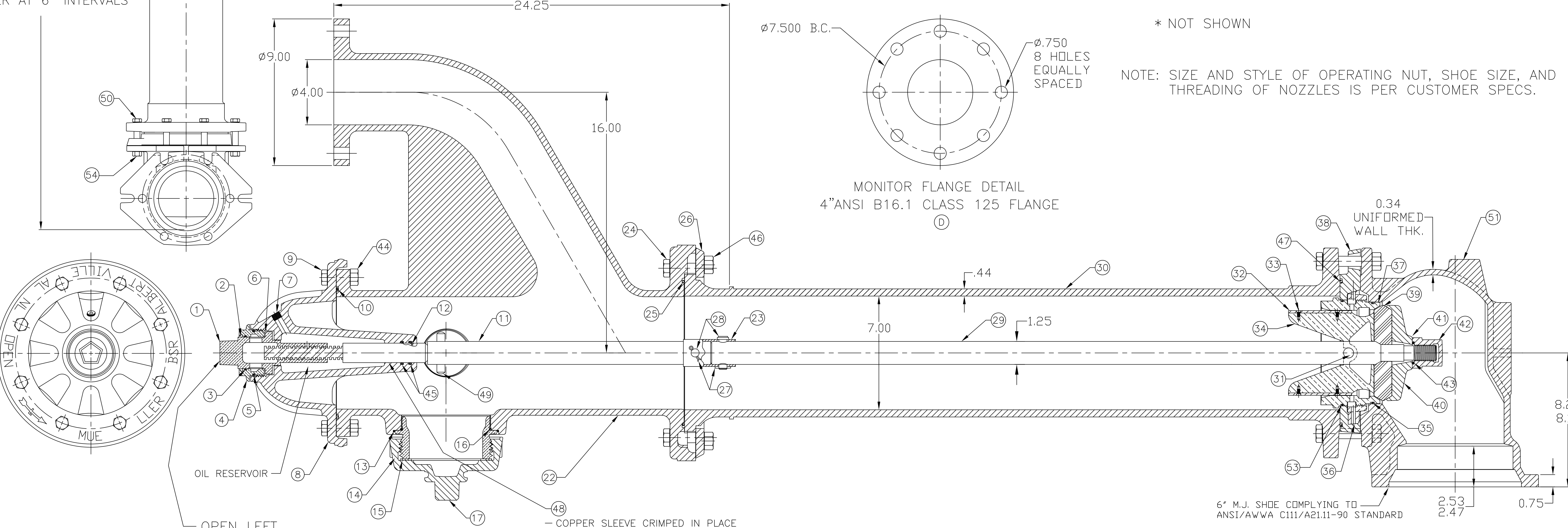


PARTS LIST				
ITEM	DESCRIPTION	REQ'D	MATERIAL	A.S.T.M.
1	OPERATING NUT	1	BRONZE	B-584 C83600
2	WIPER RING	1	RUBBER	D-2000 EPDM
3	HOLD DOWN NUT O-RING	1	RUBBER	D-2000 BUNA N
4	HOLD DOWN NUT	1	BRONZE	B-584 C83600
5	BONNET O-RING	1	RUBBER	D-2000 BUNA N
6	ANTI-FRICTION WASHER	1	CELCON	GRADE M90-04
7	OIL FILLER PLUG	1	BRASS	B-16 ALLOY 360
8	BONNET	1	CAST IRON	A-126 CLASS B
9	HEX BOLT	8	STEEL	A307/SAE J429 ELECTROGALV. GR. B
10	TOP UPPER BARREL O-RING	1	RUBBER	D-2000 BUNA N
11	UPPER STEM	1	CARBON STEEL	A-576 GR 1144T
12	STEM O-RING	1	RUBBER	D-2000 BUNA N
13	NOZZLE LOCK	3	STAINLESS STEEL	A-276 305 OR 410
14	PUMPER NOZZLE	1	BISMUTH BRASS	B-584 ALLOY C89833
15	PUMPER NOZZLE CAP GASKET	1	RUBBER	D-2000 NEOPRENE
16	PUMPER NOZZLE O-RING	1	RUBBER	D-2000 BUNA N
17	PUMPER NOZZLE CAP	1	CAST IRON	A-126 CLASS B
18	HOSE NOZZLE	2	BISMUTH BRASS	B-584 ALLOY C89833
19	HOSE NOZZLE CAP GASKET	2	RUBBER	D-2000 NEOPRENE
20	HOSE NOZZLE O-RING	2	RUBBER	D-2000 BUNA N
21	HOSE NOZZLE CAP	2	CAST IRON	A-126 CLASS B

ITEM	DESCRIPTION	REQ'D	MATERIAL	A.S.T.M.
22	UPPER BARREL	1	DUCTILE IRON	A536 65-45-12
23	SAFETY STEM COUPLING	1	STAINLESS STEEL	A-890 1.5% SILICON MAX.
24	SAFETY FLANGE BOLT	8	STEEL	A307/SAE J429 ELECTROGALV. GR. B
25	BOTTOM UPPER BARREL O-RING	1	RUBBER	D-2000 BUNA N
26	SAFETY FLANGE	1	CAST IRON	A-126 CLASS B
27	COTTER PIN	2	STAINLESS STEEL	A-276 302
28	CLEVIS PIN	2	STAINLESS STEEL	A-276 305
29	LOWER STEM	1	CARBON STEEL	A-576 GR 1144T
30	LOWER BARREL	1	CAST IRON	A-126 CLASS B
31	STEM PIN	1	STAINLESS STEEL	A-276 302
32	DRAIN VALVE FACING	2	H.D. POLYETHYLENE	LS 5660-00
33	DRAIN VALVE FACING SCREW	4	STAINLESS STEEL	A-276 302
34	UPPER VALVE PLATE	1	BISMUTH BRASS	B-584 ALLOY C89833
35	BOTTOM SEAT O-RING	1	RUBBER	D-2000 BUNA N
36	DRAIN RING	1	BRONZE	B-62 C83600
37	SEAT RING	1	BISMUTH BRASS	B-584 ALLOY C89833
38	DRAIN RING HOUSING	1	CAST IRON	A-126 CLASS B
39	MAIN VALVE	1	RUBBER	D-2000 NATURAL
40	LOWER VALVE PLATE	1	CAST IRON	A-126 CLASS B
41	LOCK WASHER	1	STAINLESS STEEL	A-276 302
42	VALVE NUT	1	CAST IRON	A-126 CLASS B
43	VALVE NUT SEAL	1	RUBBER	NITRILE

ITEM	DESCRIPTION	REQ'D	MATERIAL	A.S.T.M.
44	HEX NUT	8	STEEL	A563 GRADE B
45	STEM O-RING	2	RUBBER	D-2000 BUNA N
46	SAFETY FLANGE NUT	8	STEEL	A563 GRADE B
47	DRAIN RING HOUSING O-RING	1	RUBBER	D-2000 BUNA N
48	SLEEVE	1	COPPER	B-75 ALLOY 122
49	UPPER STEM PIN	1	STAINLESS STEEL	A-276 302
50	HEX BOLT	6	STEEL	A307/SAE J429 ELECTROGALV. GR. B
51	SHOE	1	DUCTILE IRON	A536 65-45-12
* 52	PIPE GLAND	1	CAST IRON	A-126 CLASS B
53	TOP SEAT O-RING	1	RUBBER	D-2000 BUNA N
54	HEX NUT	6	STEEL	A563 GRADE B
* 55	MECH. JOINT GASKET	1	RUBBER	D-2000 NATURAL
* 56	T-HEAD BOLT	6	STEEL	A-242 TYPE 1
* 57	HEX NUT	6	STEEL	A-242 TYPE 1

BURY 1' 6" MIN.
LONGER AT 6" INTERVALS



* NOT SHOWN
NOTE: SIZE AND STYLE OF OPERATING NUT, SHOE SIZE, AND THREADING OF NOZZLES IS PER CUSTOMER SPECS.

OPEN LEFT APPROXIMATELY 17 1/4 TURNS TO OPEN OP. NUT DIMENSIONS PER CUSTOMER SPECS. STANDARD 1-1/2 PENT.
- COPPER SLEEVE CRIMPED IN PLACE

REV.	DESCRIPTION	REF.	DRFTR	CHKR	APP	DATE
H	REVISE ITEMS # 9, 24, 50		ANC			10-3-16
G	REVISE MATERIAL # 22		ANC			09-25-15
F	REVISE MATERIAL # 1,4,10,36		ANC			6-18-15
E	ADD DIMENSION FROM MONITOR FLG TO BURY LINE		ANC			10-17-14
D	ADD DIMENSIONS & DETAIL FOR MONITOR FLG		ANC			2-20-14
C	REVISE MATERIAL # 14,18,34 & 37		ANC			10-31-13
B	REVISE ITEMS # 11 & 29		ANC			1-17-12
A	REVISE ITEMS # 11 & 29		ANC			11-20-09
REV.	DESCRIPTION	REF.	DRFTR	CHKR	APP	DATE

<table border="1"> <tr><td>APR</td><td>(MILLIMETER)</td></tr> <tr><td>INCH</td><td></td></tr> <tr><td>INITIAL RELEASE</td><td></td></tr> <tr><td>DRFTR SMC</td><td>12-17-03</td></tr> <tr><td>CHK'R</td><td></td></tr> <tr><td>APP JMG</td><td>12-17-03</td></tr> <tr><td>E.O. NUMBER</td><td></td></tr> </table>	APR	(MILLIMETER)	INCH		INITIAL RELEASE		DRFTR SMC	12-17-03	CHK'R		APP JMG	12-17-03	E.O. NUMBER		<table border="1"> <tr><td colspan="3">TOLERANCES - MACHINING</td></tr> <tr><td colspan="3">UNLESS OTHERWISE NOTED</td></tr> <tr><td colspan="3">FINISH SURFACES</td></tr> <tr><td>BREAK EDGES</td><td colspan="2">125</td></tr> <tr><td>MACH. .006/.016</td><td colspan="2"></td></tr> <tr><td>FRACTIONS</td><td>DECIMALS</td><td>ANGLES</td></tr> <tr><td>±1/64</td><td>2 PL ±.025</td><td>±1'</td></tr> <tr><td></td><td>3 PL ±.010</td><td></td></tr> </table>	TOLERANCES - MACHINING			UNLESS OTHERWISE NOTED			FINISH SURFACES			BREAK EDGES	125		MACH. .006/.016			FRACTIONS	DECIMALS	ANGLES	±1/64	2 PL ±.025	±1'		3 PL ±.010		<table border="1"> <tr><td colspan="2">THIRD ANGLE PROJECTION</td></tr> <tr><td>PURCH.</td><td>FINISH</td></tr> <tr><td>REF. NO.</td><td>SCALE</td></tr> <tr><td>STK. NO.</td><td>N.T.S.</td></tr> </table>	THIRD ANGLE PROJECTION		PURCH.	FINISH	REF. NO.	SCALE	STK. NO.	N.T.S.
APR	(MILLIMETER)																																															
INCH																																																
INITIAL RELEASE																																																
DRFTR SMC	12-17-03																																															
CHK'R																																																
APP JMG	12-17-03																																															
E.O. NUMBER																																																
TOLERANCES - MACHINING																																																
UNLESS OTHERWISE NOTED																																																
FINISH SURFACES																																																
BREAK EDGES	125																																															
MACH. .006/.016																																																
FRACTIONS	DECIMALS	ANGLES																																														
±1/64	2 PL ±.025	±1'																																														
	3 PL ±.010																																															
THIRD ANGLE PROJECTION																																																
PURCH.	FINISH																																															
REF. NO.	SCALE																																															
STK. NO.	N.T.S.																																															
<table border="1"> <tr><td colspan="2">SEE TABLE</td></tr> <tr><td>MAT'L</td><td></td></tr> <tr><td>DESCR.</td><td>5 1/4" A479 MONITOR HYDRANT W/ TWO HOSE NOZZLES & ONE PUMPER NOZZLE 1997 STYLE</td></tr> </table>	SEE TABLE		MAT'L		DESCR.	5 1/4" A479 MONITOR HYDRANT W/ TWO HOSE NOZZLES & ONE PUMPER NOZZLE 1997 STYLE	<table border="1"> <tr><td>REVISION</td><td>NUMBER</td></tr> <tr><td>H</td><td>FH-121</td></tr> <tr><td colspan="2">SHEET 1 OF 1</td></tr> </table>	REVISION	NUMBER	H	FH-121	SHEET 1 OF 1																																				
SEE TABLE																																																
MAT'L																																																
DESCR.	5 1/4" A479 MONITOR HYDRANT W/ TWO HOSE NOZZLES & ONE PUMPER NOZZLE 1997 STYLE																																															
REVISION	NUMBER																																															
H	FH-121																																															
SHEET 1 OF 1																																																