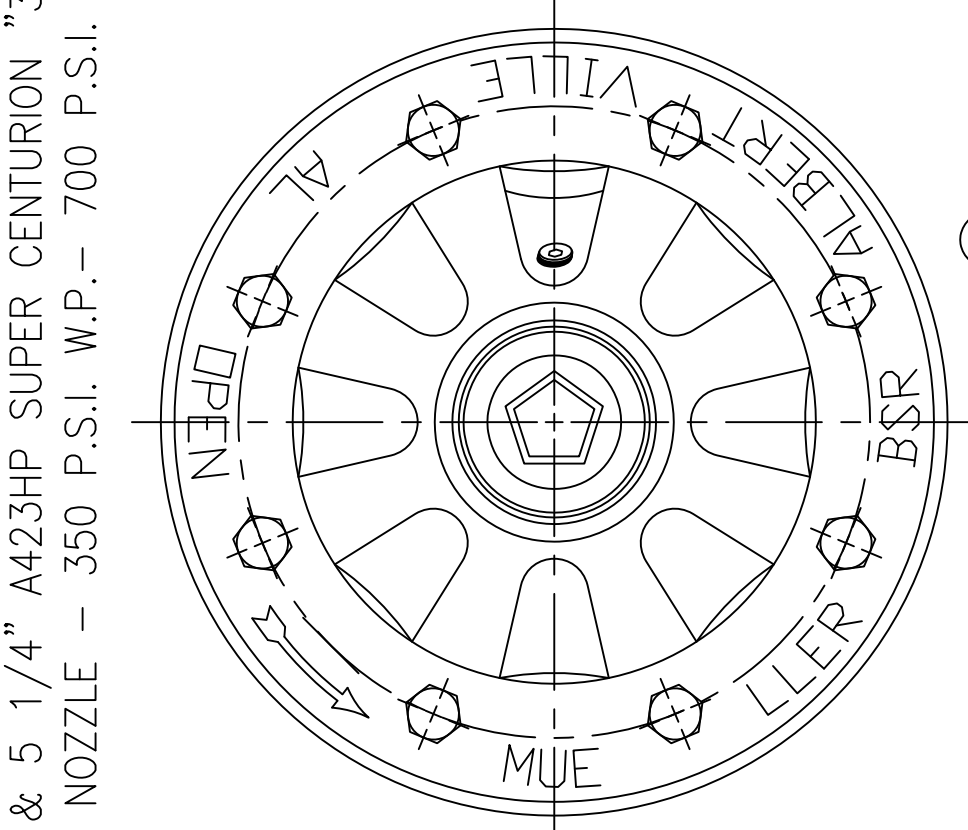
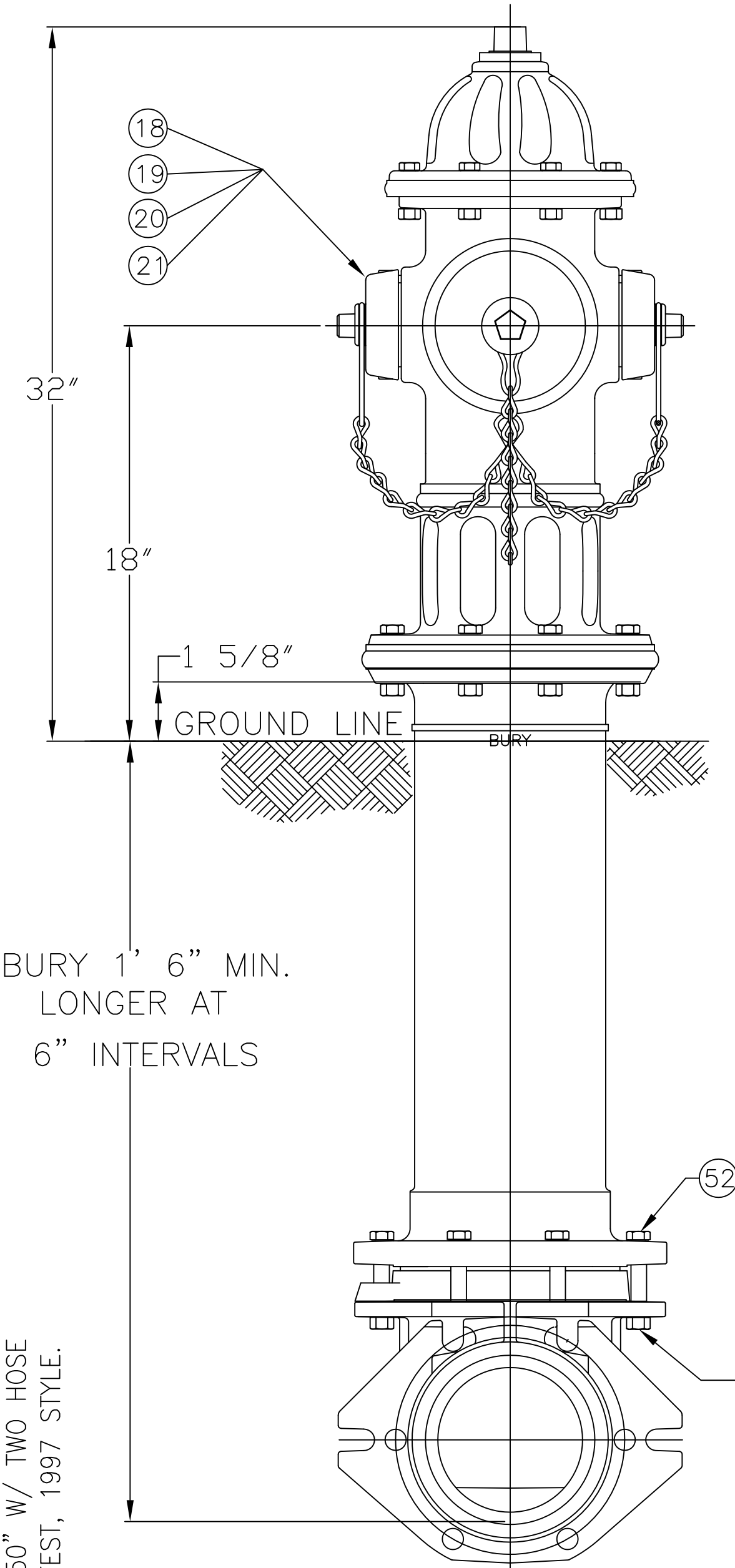
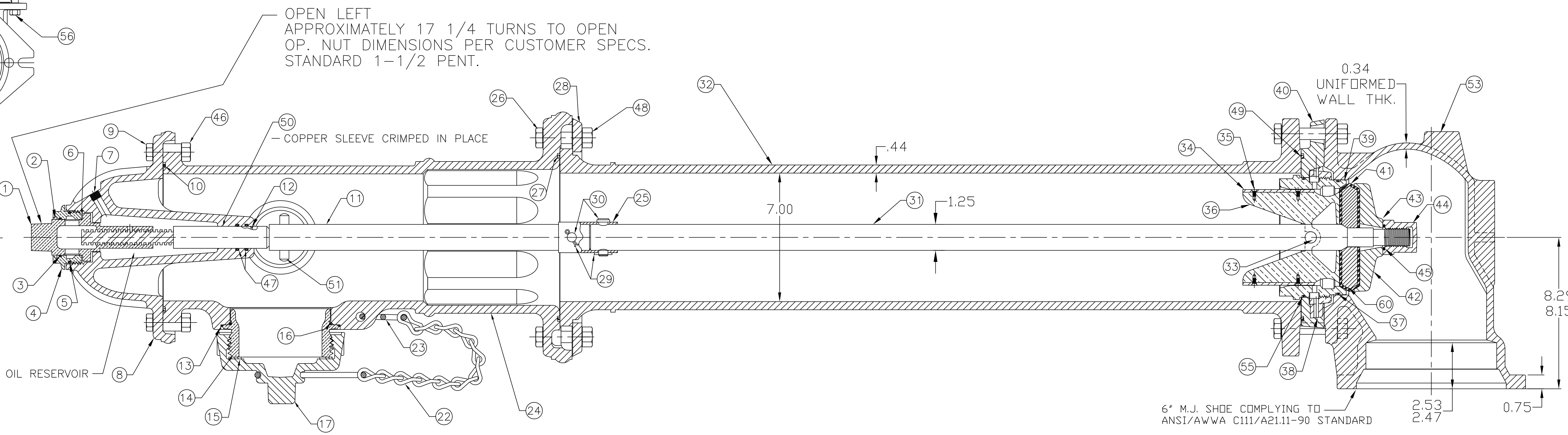


4 1/2" A421HP & 5 1/4" A423HP SUPER CENTURION "350" W/ TWO HOSE  
& ONE PUMPER NOZZLE - 350 P.S.I. W.P. - 700 P.S.I. TEST, 1997 STYLE.

DWG. FH 439



PARTS LIST						
ITEM	PART NUMBER	DESCRIPTION	REQ'D	MATERIAL	SPEC.	
1	146440	OPERATING NUT	1	BRONZE	ASTM B-584	ALLOY 844
2	197899	WIPER RING	1	RUBBER	ASTM D-2000	EPDM
3	194898	HOLD DOWN NUT O-RING	1	RUBBER	ASTM D-2000	BUNA N
4	241175	HOLD DOWN NUT	1	BRONZE	ASTM B-584	ALLOY 844
5	142779	BONNET O-RING	1	RUBBER	ASTM D-2000	BUNA N
6	290609	NEEDLE BEARING	1			
7	194932	OIL FILLER PLUG	1	BRASS	ASTM B-16	ALLOY 360
8	145703	BONNET	1	CAST IRON	ASTM A-126	CLASS B
9	290605	HEX BOLT 1/2x2.250 LG	8	STEEL	SAE J429	ZINCPLATED, GRADE 5
10	190348	TOP UPPER BARREL O-RING	1	RUBBER	ASTM D-2000	BUNA N
11	184092	UPPER STEM	1	CARBON STEEL	ASTM A-576	GR 1144T
12	194861	STEM O-RING	1	RUBBER	ASTM D-2000	BUNA N
13	143137	NOZZLE LOCK	3	STAINLESS STEEL	ASTM A-276	305 OR 410
14	143124-40560	PUMPER NOZZLE	1	BISMUTH BRASS	ASTM B-584	C89833
15	290273	PUMPER NOZZLE CAP GASKET	1	RUBBER	ASTM D-2000	NEOPRENE
16	142781	PUMPER NOZZLE O-RING	1	RUBBER	ASTM D-2000	BUNA N
17	143681	PUMPER NOZZLE CAP	1	CAST IRON	ASTM A-126	CLASS B
18	143116-75298	HOSE NOZZLE	2	BISMUTH BRASS	ASTM B-584	C89833
19	290272	HOSE NOZZLE CAP GASKET	2	RUBBER	ASTM D-2000	NEOPRENE
20	158661-75298	HOSE NOZZLE O-RING	2	RUBBER	ASTM D-2000	BUNA N
21	142847	HOSE NOZZLE CAP	2	CAST IRON	ASTM A-126	CLASS B
22	142987	CAP CHAIN	3	STEEL		ELECTRO GALV.
23	147738	CHAIN HOOK	1	STEEL		ELECTRO GALV.
24	241174	UPPER BARREL	1	CAST IRON	ASTM A-126	CLASS B
25	190350	SAFETY STEM COUPLING	1	STAINLESS STEEL	ASTM A-890	1.5% SILICON MAX.
26	290606	SAFETY FLANGE BOLT 5/8x3.00	8	STEEL	SAE J429	ZINCPLATED, GRADE 5
27	190349	BOTTOM UPPER BARREL O-RING	1	RUBBER	ASTM D-2000	BUNA N
28	290265-1	SAFETY FLANGE	1	CAST IRON	ASTM A-126	CLASS B
29	195235	COTTER PIN	2	STAINLESS STEEL	ASTM A-276	302
30	195234	CLEVIS PIN	2	STAINLESS STEEL	ASTM A-276	305
31	184063	LOWER STEM	1	CARBON STEEL	ASTM A-576	GRADE 1144T
32	148658	LOWER BARREL	1	CAST IRON	ASTM A-126	CLASS B
33	195347	STEM PIN	1	STAINLESS STEEL	ASTM A-276	302



ITEM	PART NUMBER	DESCRIPTION	REQ'D	MATERIAL	SPEC.	
34	142811	DRAIN VALVE FACING	2	H.D. POLYETHYLENE		LS 5660-00
35	142812	DRAIN VALVE FACING SCREW	4	STAINLESS STEEL	ASTM A-276	302
36	148733	UPPER VALVE PLATE	1	BISMUTH BRASS	ASTM B-584	C89833
37	142893	BOTTOM SEAT O-RING	1	RUBBER	ASTM D-2000	BUNA N
38	142804	DRAIN RING	1	BRONZE	ASTM B-584	ALLOY 844
39	142764	SEAT RING	1	BISMUTH BRASS	ASTM B-584	C89833
40	148584	DRAIN RING HOUSING	1	CAST IRON	ASTM A-126	CLASS B
41	290615	MAIN VALVE	1	RUBBER	ASTM D-2000	NATURAL
42	190356-1	LOWER VALVE PLATE	1	CAST IRON	ASTM A-126	CLASS B
43	142845	LOCK WASHER	1	STAINLESS STEEL	ASTM A-276	302
44	142771	VALVE NUT	1	CAST IRON	ASTM A-126	CLASS B
45	195547	VALVE NUT SEAL	1	RUBBER		NITRILE
46	290611	HEX NUT 1/2"	8	STEEL	SAE J429	ZINCPLATED, GRADE 5
47	194514	STEM O-RING	2	RUBBER	ASTM D-2000	BUNA N
48	290612	SAFETY FLANGE NUT 5/8"	8	STEEL	SAE J429	ZINCPLATED, GRADE 5
49	190349	DRAIN RING HOUSING O-RING	1	RUBBER	ASTM D-2000	BUNA N
50	142770	SLEEVE	1	COPPER	ASTM B-75	ALLOY 122
51	195347	UPPER STEM PIN	1	STAINLESS STEEL	ASTM A-276	302
52	290607	HEX BOLT 3/4x4.50	6	STEEL	SAE J429	ZINCPLATED, GRADE 5
53	148727	SHOE	1	DUCTILE IRON	ASTM A536	65-45-12
*54	155016-1	PIPE GLAND	1	CAST IRON	ASTM A-126	CLASS B
55	195083	TOP SEAT O-RING	1	RUBBER	ASTM D-2000	BUNA N
56	290613	HEX NUT 3/4"	6	STEEL	SAE J429	ZINCPLATED, GRADE 5
*57	194533	MECH. JOINT GASKET	1	RUBBER	ASTM D-2000	NATURAL
*58	194541	T-HEAD BOLT 3/4x3.50	6	STEEL	ASTM A-242	TYPE 1
*59	195327	HEX NUT 3/4"	6	STEEL	ASTM A-242	TYPE 1
60	290615-1	MAIN VALVE INSERT	1	CAST IRON	ASTM A-126	CLASS B

\* NOT SHOWN

SEE CAT. RECORD FOR RESPECTIVE PARTS OR SUB. ASS'YS

NOTE: SIZE AND STYLE OF OPERATING NUT, SHOE SIZE, AND THREADING OF NOZZLES IS PER CUSTOMER SPECS.

REV.	DESCRIPTION	REF.	DRFTR	CHKR	APP	DATE
A	REVISE MATERIAL ON ITEMS# 14,18,36,39		ANC			11-5-13

DRFTR CHK'R APP E.O. NUMBER	(MILLIMETER) INCH INITIAL RELEASE MACH. .006/.016 FINISH SURFACES 125 FRACTIONS ±1/64 DECIMALS 2 PL ±.025 3 PL ±.010 ANGLES ±1°	THIRD ANGLE PROJECTION PURCH. FINISH REF. NO. SCALE N.T.S. STK. NO.
MAT'L SEE TABLE DESOR. 4 1/2" A421HP & 5 1/4" A423HP SUPER CENTURION "350" W/ TWO HOSE NOZZLES & ONE PUMPER NOZZLE 1997 STYLE		REVISION A NUMBER FH-439 SHEET 1 OF 1