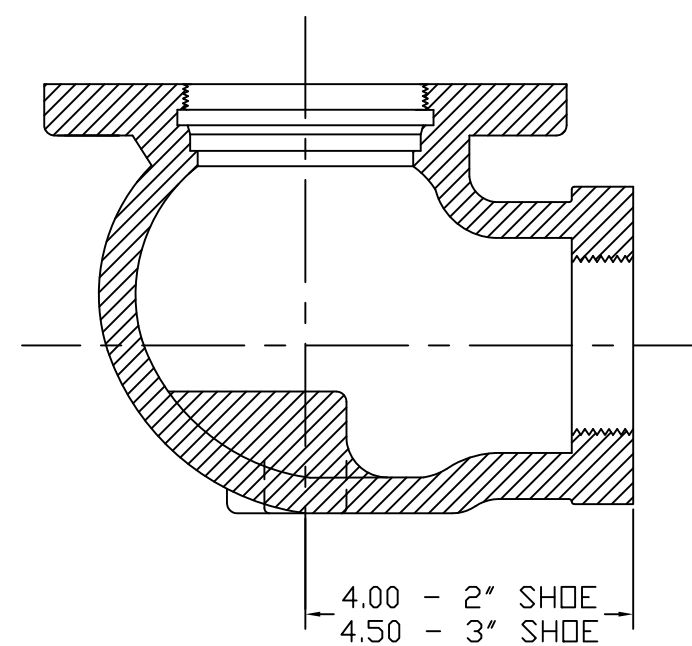
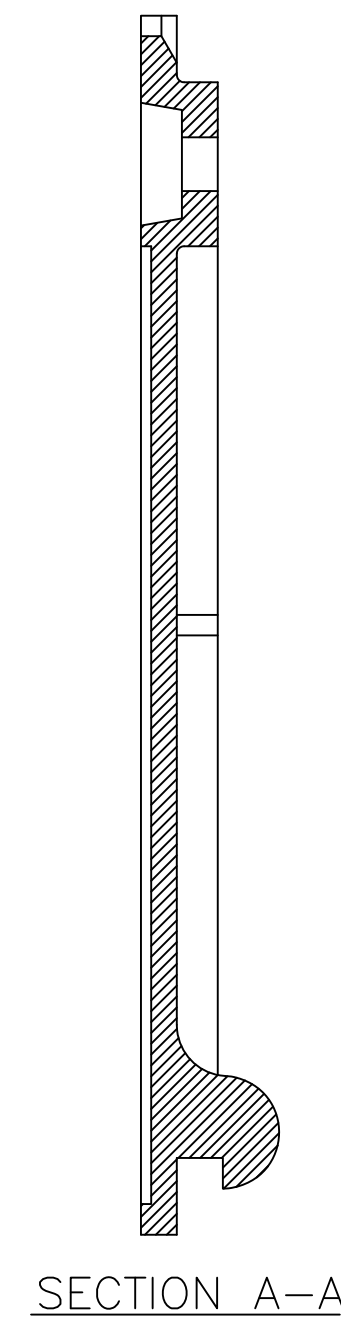
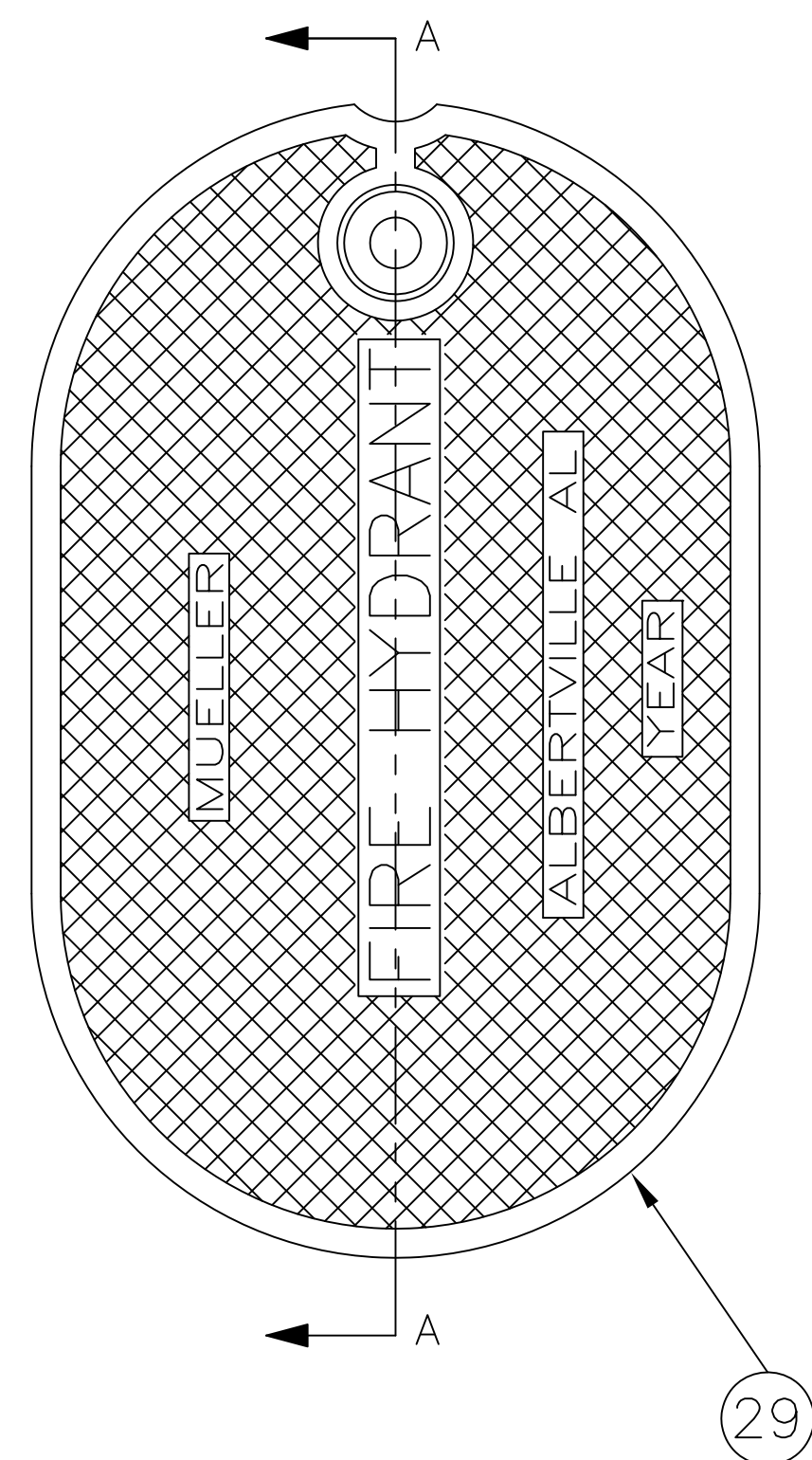
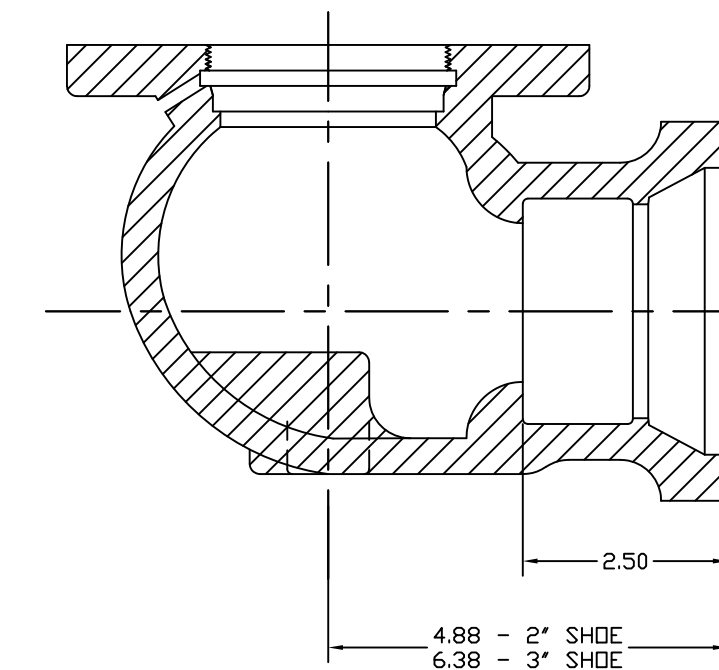


2 1/8" A-412 FIRE HYDRANT-FLUSH TYPE-150 P.S.I. W.P.-300 P.S.I.
 NOTE - SIZE & THREADING OF NOZZLE - SIZE & STYLE OF OPERATING NUT & SHOE TO SUIT ORDER

FH-570



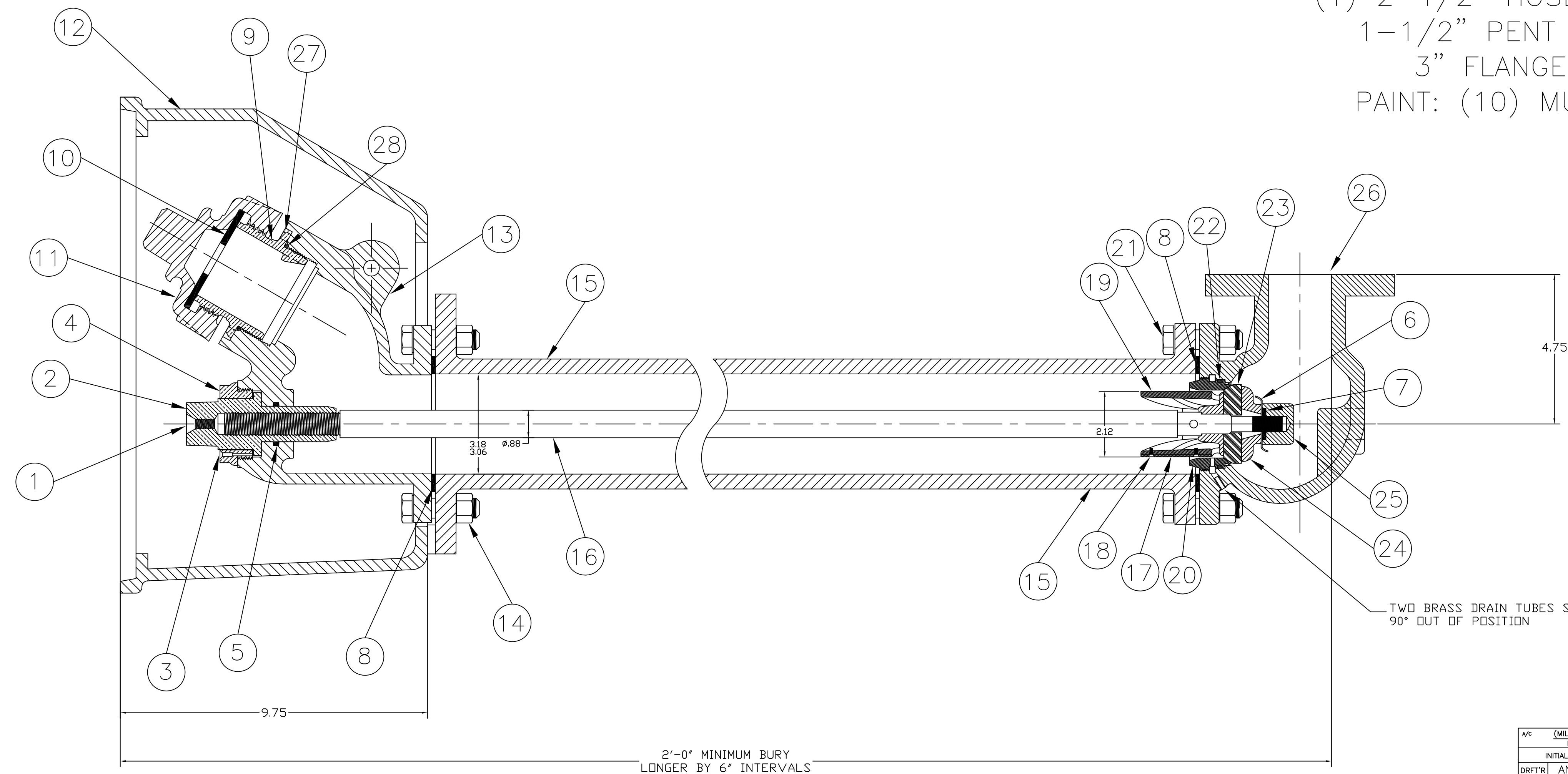
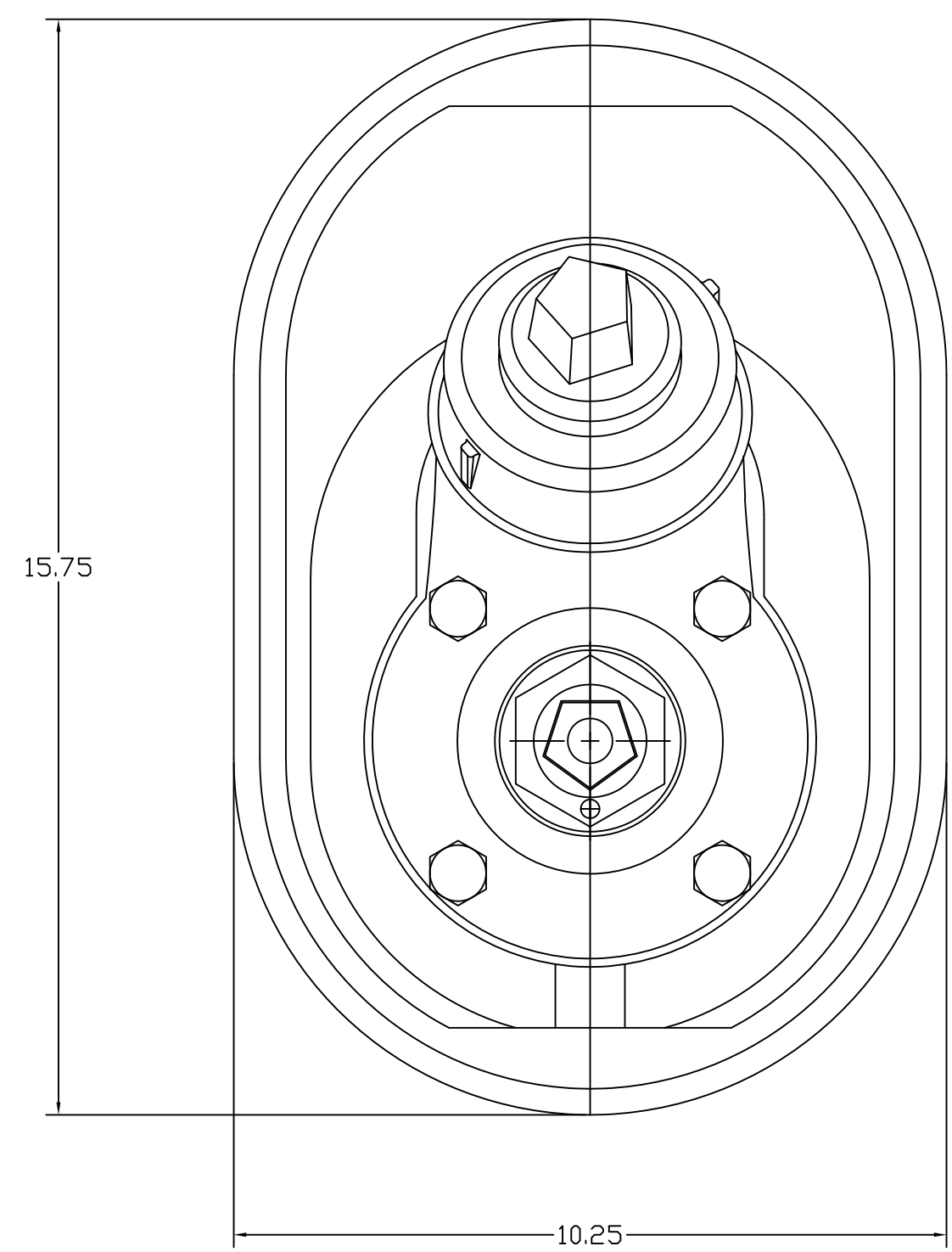
SCREW END SHOE



MJ END SHOE

PARTS LIST					
ITEM	DESCRIPTION	REQ'D	MATERIAL	A.S.T.M.	
1	OIL SCREW	1	BRASS	B36	ALLOY 268
2	OPERATING NUT	1	BRASS	B584	C89833
3	HOLD DOWN NUT SCREW	1	BRASS		
4	HOLD DOWN NUT	1	BRONZE	B62	
5	O-RING SEAL	1	RUBBER		BUNA N
6	WASHER	1	STL. STEEL		TYPE 302
7	SEAL	1	RUBBER		R 12
8	GASKET	1	RUBBER		CLOTH INSERTED
9	HOSE NOZZLE	1	BRASS	B584	C89833
10	HOSE NOZZLE GASKET	1	RUBBER	D735	TYPE SC-715
11	HOSE NOZZLE CAP	1	CAST IRON	A126	CLASS B
12	FLUSH BOX	1	CAST IRON	A126	CLASS B
13	UPPER BARREL	1	CAST IRON	A126	CLASS B
14	FLANGE BOLT	4	STEEL		ASA B18.2
15	LOWER BARREL	1	CAST IRON	A126	CLASS B
16	STEM	1	STEEL	A107	C1115
17	DRAIN VALVE	1	PLASTIC		
18	DRAIN VALVE SCREW	2	BRASS		
19	UPPER VALVE PLATE	1	BRASS	B584	C89833
20	SEAT RING	1	BRASS	B584	C89833
21	SHOE BOLT	4	STEEL		ASA B18.2
22	"O"-RING SEAL	1	RUBBER	D2000	
23	MAIN VALVE	1	RUBBER	D735	GRADE 910
24	LOWER VALVE PLATE	1	CAST IRON	A126	CLASS B
25	VALVE NUT	1	CAST IRON	A126	CLASS B
26	SHOE	1	CAST IRON	A-126	CLASS B
27	NOZZLE LOCK	1	STAINLESS STEEL	A-276	305 OR 410
28	"O"-RING SEAL	1	RUBBER	D2000	
29	COVER	1	CAST IRON	A-126	CLASS B

2-1/8" STD FLUSH HYDRANT
 CATALOG# 412-507928
 4'-0" BURY
 (1) 2-1/2" HOSE GAGE 75298
 1-1/2" PENT OPEN LEFT
 3" FLANGED SHOE
 PAINT: (10) MUELLER RED



TWO BRASS DRAIN TUBES SHOWN
90° OUT OF POSITION

2'-0" MINIMUM BURY
LONGER BY 6" INTERVALS

APR (MILLIMETER)	TOLERANCES - MACHINING		THIRD ANGLE PROJECTION
INCH	UNLESS OTHERWISE NOTED		
INITIAL RELEASE	BREAK EDGES	FINISH SURFACES	PURCH. FINISH
DRFTR ANC 2-27-15	MACH. .006/.016	125	REF. NO. SCALE 1:2
CHK'R	FRACTIONS ±1/64	DECIMALS 2 PL ±.025 3 PL ±.010	ANGLES ±1'
APP			STK. NO.
E.O. NUMBER	MAT'L AS NOTED		REVISION NUMBER
	DESCR. 2 1/8" FLUSH MOUNT HYDRANT		FH-570
			SHEET 1 OF 1

REV.	DESCRIPTION	REF.	DRFTR	CHKR	APP.	DATE