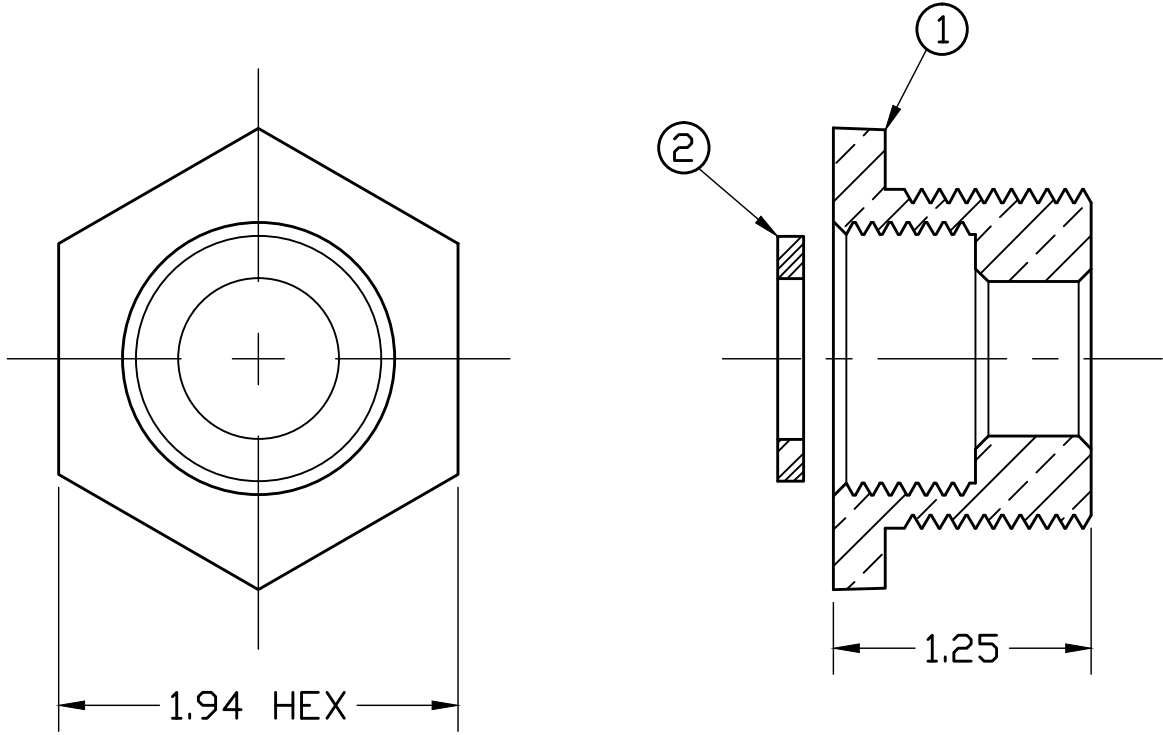


PART NUMBER  
H10889N

44<sup>E</sup>-MRKTNG




No.	DESCRIPTION	MATERIAL
1	BUSHING	CAST LOW LEAD BRASS ALLOY
2	GASKET	NITRILE ASTM D2000



**NOTE:** ALL WETTED PARTS ARE LOW LEAD BRASS ALLOY

FILEPATH: PRODD-ENG\MUELLER\ASYSUBMITTALS\H10889N

WAS EXP NO:

						DRFTR	jGarvin	12/17/10		
						CHKR				
						ENGR				
						MGR				
							BY	DATE	UNLESS OTHERWISE NOTED	THIRD ANGLE PROJECTION
									SURFACE PREPARATION:	
									BREAK CORNER(S) ----- .000	
									SURFACE FINISH -- XX RMS	REF. No.
									TOLERANCE(S):	SCALE
									LINEAR ----- ± .000	FULL
									ANGULAR ----- ± 0°00'	
									STK No:	
									MAT'L:	
									DESCR.	PART NUMBER
									3/4"x1" METER BUSHING	H10889N
									LOW LEAD BRASS (FOR SADDLE METER NUT)	
									PER EST NO: DXXXX EST FIN WT = 0.0000 lbs	