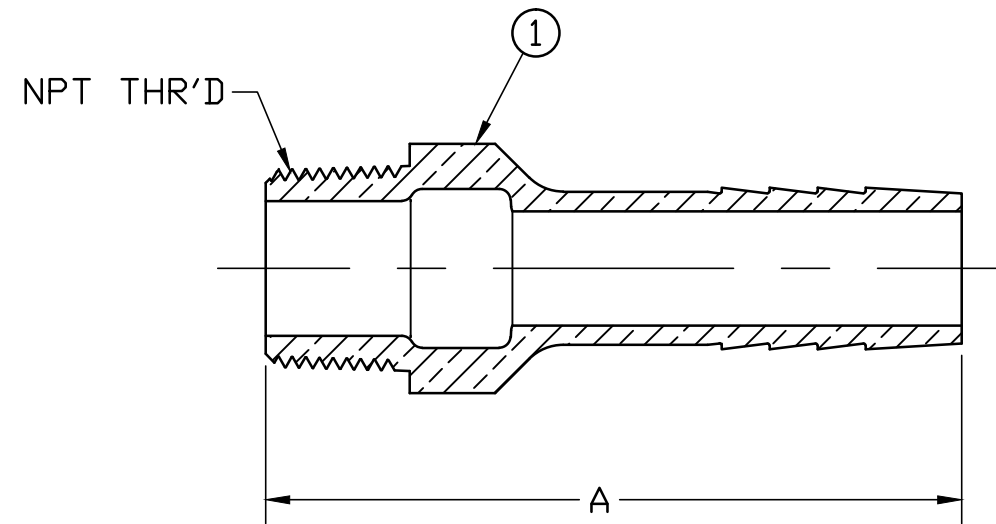


No.	DESCRIPTION	MATERIAL
1	COUPLING	CAST LOW LEAD BRASS ALLOY



SIZE	A	NPT SIZE
3/4"	3.625	3/4"
1"	4.188	1"

NOTE: ALL WETTED PART ARE LOW LEAD BRASS ALLOY

FILEPATH: PROD-ENG\MUELLER\ASYSUBMITTALS\H12213N

						DRFTR	RWB	1/2/13	<b>Mueller Co.</b>		THIRD ANGLE PROJECTION 		
						CHKR							
						ENGR					UNLESS OTHERWISE NOTED SURFACE PREPARATION: BREAK CORNER(S) ----- .000 SURFACE FINISH -- XX RMS TOLERANCE(S): LINEAR ----- ± .000 ANGULAR ----- ± 0°00'	REF. No.	SCALE NONE
						MGR							
							BY	DATE	STK No:				
						MAT'L:							
						DESCR.		3/4" HOSE CLAMP LLB COUPLING - (MIP x RIBBED INSERT)		DWG NUMBER H12213N			
						PER EST NO: DXXXX EST FIN WT = 0.0000 lbs							

DWG NUMBER  
H12213N  
442-MRKTG

TITLE TO AND OWNERSHIP OF THIS ENGINEERING  
DATA REMAINS IN Mueller Co. NO USE IS TO BE  
MADE OF THIS DATA EXCEPT AS SPECIFICALLY  
AUTHORIZED BY Mueller Co. ASSENT ON THE PART  
OF THE RECIPIENT TO THESE CONDITIONS IS PRESUMED