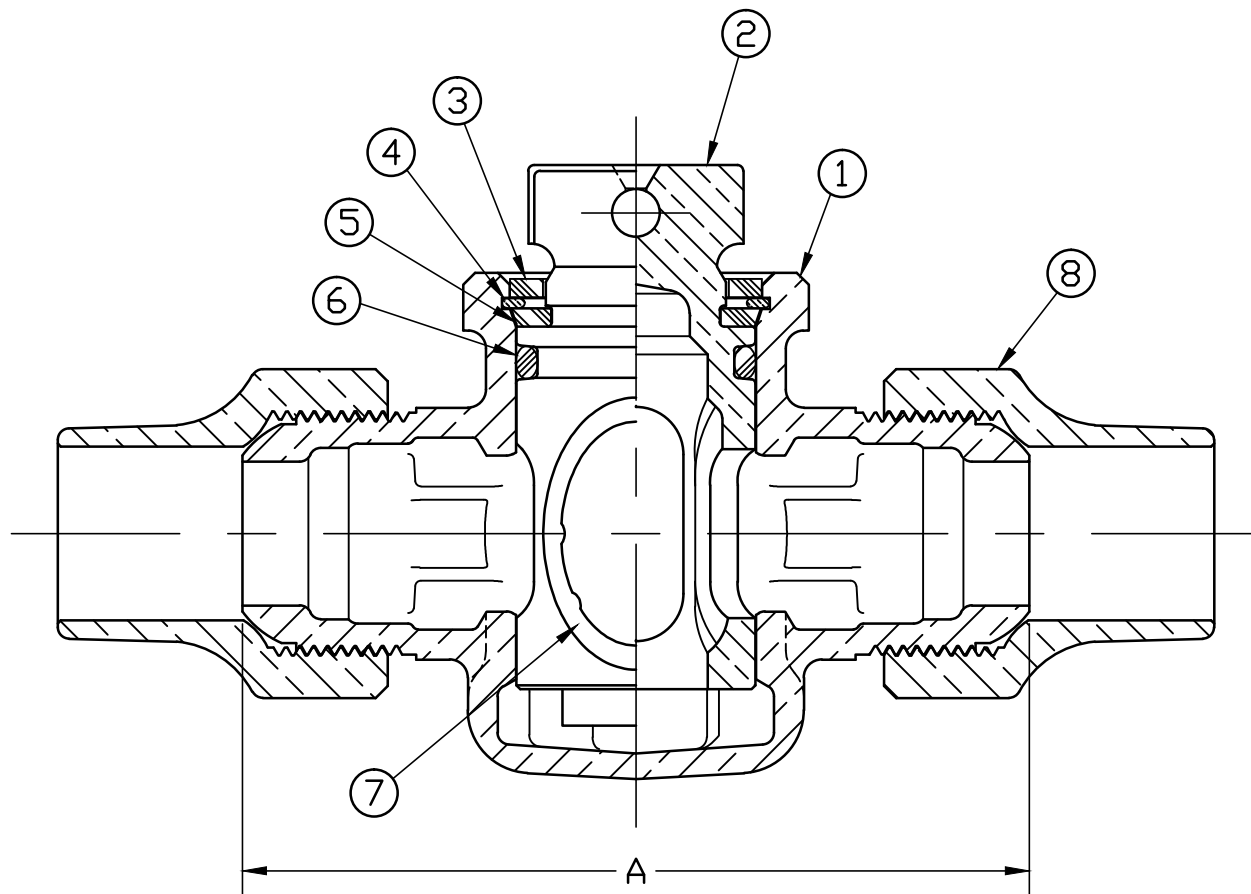
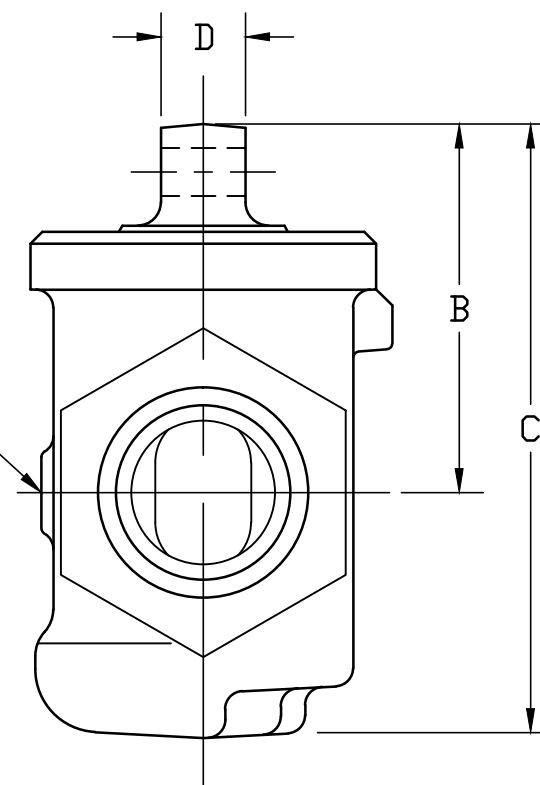


| SIZE  | A    | B    | C    | D   |
|-------|------|------|------|-----|
| 3/4   | 4.10 | 1.92 | 3.17 | .44 |
| 1     | 5.34 | 2.44 | 4.00 | .44 |
| 1-1/4 | 6.59 | 2.64 | 4.38 | .53 |
| 1-1/2 | 7.16 | 3.42 | 5.52 | .53 |
| 2     | 8.84 | 3.70 | 6.05 | .56 |

| No. | QTY. | DESCRIPTION    | MATERIAL                         |
|-----|------|----------------|----------------------------------|
| 1   | 1    | BODY           | LOW LEAD BRASS ALLOY             |
| 2   | 1    | KEY            | LOW LEAD BRASS ALLOY             |
| 3   | 1    | TOP SEAL       | RUBBER, MUELLER RUBBER CODE R8   |
| 4   | 1    | RETAINING RING | BRONZE ASTM B103 ALLOY C52100    |
| 5   | 1    | THRUST WASHER  | CELCON GRADE M90 CF2001          |
| 6   | 1    | TOP O-RING     | RUBBER, ASTM D-2000 (EPDM)       |
| 7   | 1    | PORT O-RING    | RUBBER, ASTM D-2000 (EPDM)       |
| 8   | 2    | TUBE NUT       | CAST BRASS ASTM B62 ALLOY C83600 |



DRAIN HOLE ON H-15214N ONLY



NOTE: ALL WETTED PARTS ARE LOW LEAD BRASS ALLOY

FILEPATH: PROD-ENG\MUELLER\APPROVED\H15204N

|   |     |             |                             |                        |      |
|---|-----|-------------|-----------------------------|------------------------|------|
| DRFTR                                     | RWB | 11/18/13    | <b>Mueller Co.</b>          |                        |      |
| CHKR                                      |     |             |                             |                        |      |
| ENGR                                      |     |             |                             |                        |      |
| MGR                                       |     |             |                             |                        |      |
|   |     |             | UNLESS OTHERWISE NOTED      | THIRD ANGLE PROJECTION |      |
|   |     |             | SURFACE PREPARATION:        |                        |      |
|   |     |             | BREAK CORNER(S) ----- .000  |                        |      |
|   |     |             | SURFACE FINISH -- XX RMS    | REF. No.               |      |
|   |     |             | TOLERANCE(S):               | SCALE                  |      |
|   |     |             | LINEAR ----- ± .016         | FULL                   |      |
|   |     |             | ANGULAR ----- ± 0°30'       |                        |      |
|   |     |             | STK No:                     |                        |      |
|   |     |             | MAT'L:                      |                        |      |
|   |     |             | DESCR.                      |                        |      |
|   |     |             | H-15204N & H-15214N         | DWG NUMBER             |      |
|   |     |             | MARK II DRISEAL LLB CS x CS | H15204N                |      |
| REV                                       | ECR | DESCRIPTION | DATE                        | BY                     | CHKR |
| PER EST NO: DXXXX EST FIN WT = 0.0000 lbs |     |             |                             |                        |      |

DWG NUMBER H15204N  
 WAS EXP NO: 80-MRKT

TITLE TO AND OWNERSHIP OF THIS ENGINEERING DATA REMAINS IN Mueller Co. NO USE IS TO BE MADE OF THIS DATA EXCEPT AS SPECIFICALLY AUTHORIZED BY Mueller Co. ASSENT ON THE PART OF THE RECIPIENT TO THESE CONDITIONS IS PRESUMED