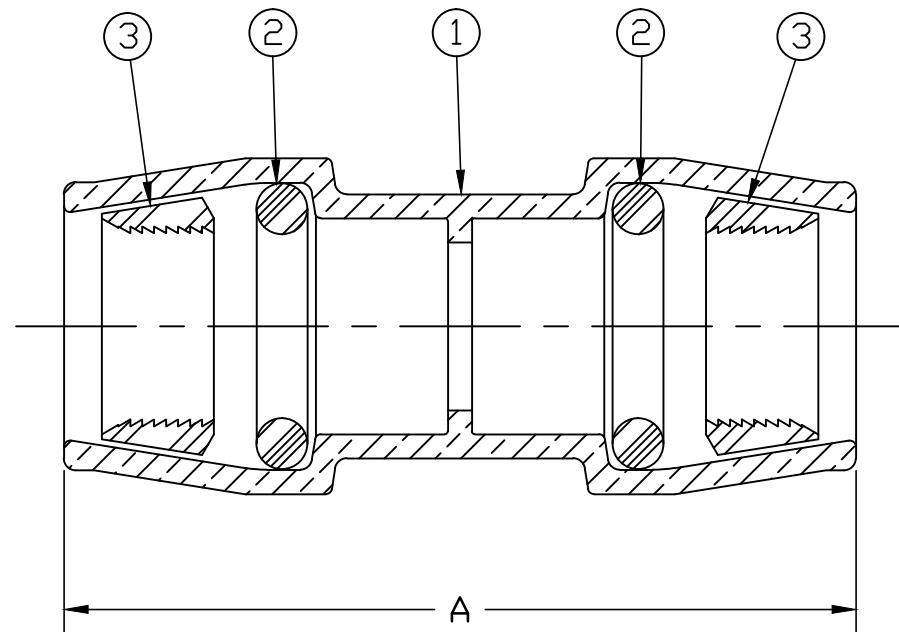



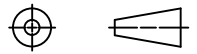
No.	DESCRIPTION	MATERIAL
1	INSTA-TITE BODY	CAST LOW LEAD BRASS CASTING
2	O-RING	EP ASTM D2000 RUBBER
3	GRIP RING	CELCON M90 WHITE PLASTIC



SIZE	A
3/4	4.13
1	4.31

ALL WETTED PARTS ARE LOW LEAD BRASS ALLOY

FILEPATH: PROD-ENG\MUELLER\ASYSUBMITTALS\H15408N

						DRFTR	RWB	5/29/13			THIRD ANGLE PROJECTION 	
						CHKR						
						ENGR						
						MGR						
											UNLESS OTHERWISE NOTED	
											SURFACE PREPARATION:	
											BREAK CORNER(S) ---- .000	
											SURFACE FINISH -- XX RMS	
											TOLERANCE(S):	REF. No.
											LINEAR ----- ± .000	SCALE
											ANGULAR ----- ± 0°00'	NONE
										STK No:		
										MAT'L:		
										DESCR.		
												DWG NUMBER
												H15408N

DWG NUMBER  
H15408N  
442-MRKTNG

TITLE TO AND OWNERSHIP OF THIS ENGINEERING DATA REMAINS IN Mueller Co. NO USE IS TO BE MADE OF THIS DATA EXCEPT AS SPECIFICALLY AUTHORIZED BY Mueller Co. ASSENT ON THE PART OF THE RECIPIENT TO THESE CONDITIONS IS PRESUMED

REV	ECR	DESCRIPTION	DATE	BY	CHKR

PER EST NO: DXXXX EST FIN WT = 0.0000 lbs

STRAIGHT LLB SERVICE FITTING  
(IPS PE x IPS PE)