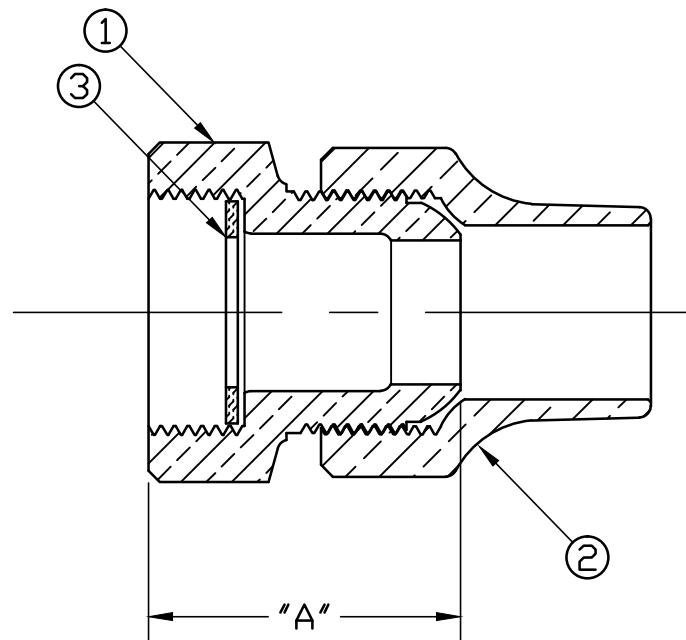


No.	DESCRIPTION	MATERIAL
1	SPUD	CAST LOW LEAD BRASS ALLOY
2	COPPER TUBE NUT	CAST BRASS ASTM B62 ALLOY C83600
3	FIBER GASKET	ASTM D170 VULCANIZED FIBER



SIZE	A
1/2x3/4	1.72
5/8x3/4	1.69
3/4	1.62
3/4x1	1.69
1	1.78
1x3/4	1.69

NOTE: ALL WETTED PARTS ARE LOW LEAD BRASS ALLOY

FILEPATH: PROD-ENG\MUELLER\ASYSUBMITTALS\H15480N

						DRFTR JGarvin 9/13/11	Mueller Co.	THIRD ANGLE PROJECTION 		
						CHKR				
						ENGR		UNLESS OTHERWISE NOTED SURFACE PREPARATION: BREAK CORNER(S) ---- .000 SURFACE FINISH -- XX RMS TOLERANCE(S): LINEAR ----- ± .000 ANGULAR ----- ± 0°00'	REF. No.	SCALE FULL
						MGR				
						BY	DATE			
						STK No:				
						MAT'L:				
						DESCR.				
						CORPORATION STOP COUPLING LOW LEAD BRASS(I/S MUELLER x CS)				
						DWG NUMBER H15480N				
REV	ECR	DESCRIPTION	DATE	BY	CHKR	PER EST NO: DXXXX EST FIN WT = 0.0000 lbs				

DWG NUMBER
H15480N
442-MRKTG

TITLE TO AND OWNERSHIP OF THIS ENGINEERING
DATA REMAINS IN Mueller Co. NO USE IS TO BE
MADE OF THIS DATA EXCEPT AS SPECIFICALLY
AUTHORIZED BY Mueller Co. ASSENT ON THE PART
OF THE RECIPIENT TO THESE CONDITIONS IS PRESUMED