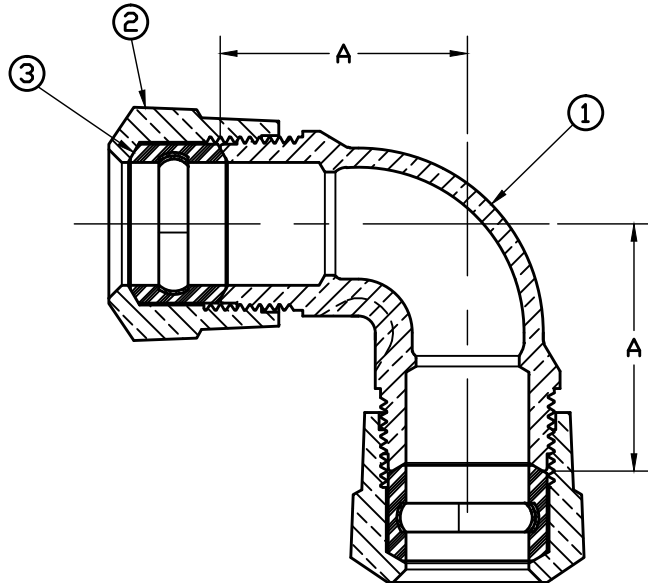


No.	QTY.	DESCRIPTION	MATERIAL
1	1	SPUD	CAST LOW LEAD BRASS ALLOY
2	2	CONN. NUT	CAST BRASS ASTM B62 ALLOY C83600
3	2	CTS GSKT SUB	SBR D2000 - GSKT 410ss - BAND



SIZE	A
3/4	1.79
1	2.00
1x3/4	2.00
1-1/2	2.75
2	3.09

NOTE: ALL WETTED PARTS ARE LOW LEAD BRASS ALLOY

FILEPATH: PRODD-ENG\MUELLER\ASYSUBMITTALS\H15526N

						DRFTR JGarvir	9/17/09	Mueller Co.	
						CHKR			
						ENGR			
						MGR			
						BY	DATE	UNLESS OTHERWISE NOTED	THIRD ANGLE PROJECTION
								SURFACE PREPARATION:	
								BREAK CORNER(S) ---- .000	
								SURFACE FINISH -- 000 RMS	REF. No.
								TOLERANCE(S):	SCALE
								LINEAR ----- ± .000	NONE
								ANGULAR ----- ± 0°00'	
								STK No:	
								MAT'L:	
								DESCR.	
								1/4 BEND SERVICE FITTING	PART NUMBER
								LOW LEAD BRASS (110 CTS ENDS)	H15526N
								PER EST NO: DXXXX EST FIN WT = 0.0000 lbs	

PART NUMBER
H15526N
442-MRKTG